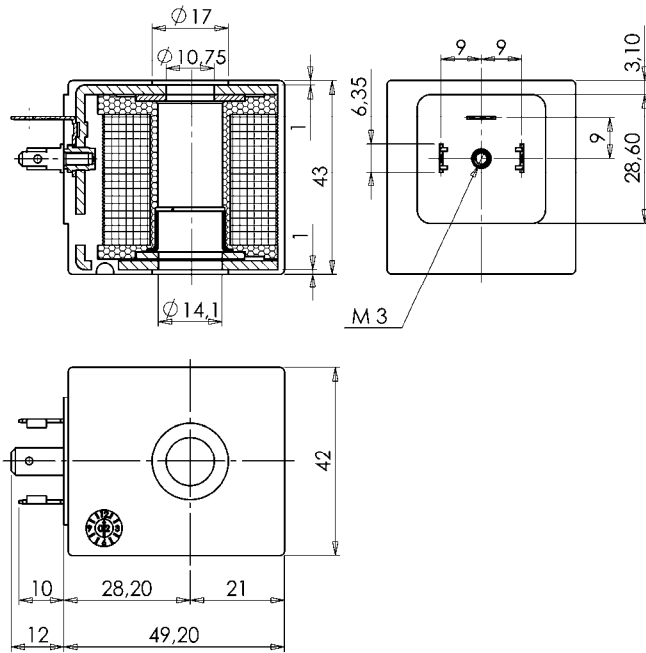




COIL

Spade terminals (DIN 46340)

Z1..



► GENERAL FEATURES

Complying with 73/23/EC (Low voltage), 2004/108/EC (EMC) directives and relative modification.
Complying with VDE 0580 standard (100% inspected).

► ELECTRIC CONNECTIONS

Spade terminals 6,3 x 0,8 (DIN46340), 2 line + 1 earth terminals.
3 poles plug connector (DIN 43650)

► ENCAPSULATION MATERIALS

PET (polyethylene terephthalate) fiberglass reinforced (black colour).

► TECHNICAL FEATURES

Continuous duty
Insulation class

ED 100%
Z130A - Z130C : F (140°C)
Z134A : H (165°C)

Ambient temperature

Z130A - Z130C : -10°C +60°C
Z134A : -10°C +80°C.

Protection degree
Voltages DC
AC

IP 65 (EN 60529) with plug connector
12-24V (+10% -5%)
24V/50Hz – 110V/50Hz (120V/60Hz) -
230V/50Hz (+10% -15%)
(Other voltages and frequencies on request).

TYPE	POWER ABSORPTION			NOTES	WEIGHT (kg)
	AC (VA)		DC (W)		
	Inrush	Holding			
Z130A	44	24	13	-	0,290
Z130C	-	-	6,5	-	
Z134A	44	24	13	1	

► NOTES

1 - UL APPROVAL (E153691).

THE VALIDITY OF REPORTED DATA IS REFERRED TO THE DATE OF ISSUE. POSSIBLE UPDATING ARE AVAILABLE ON REQUEST.

0406/0804