



### Bladder accumulator series EHV – CE

#### Construction

Bladder accumulator with hydraulic valve, pressure vessel of forged steel, seamless, heavy duty gas inlet valve, detachable.

#### Pre-Charge pressure PO

Between 0,9 P1 and 0,2 P2  
Other pressure ratios on request.

#### Temperature range

Standard model -20 °C to +80 °C  
Other ranges on request.

#### Volumetric flow Q

The max. values given in the selection table apply only for a vertical installation (hydraulic assembly downwards).  
Use Series DA accumulators for higher volumetric flows.

#### Hydraulic fluids

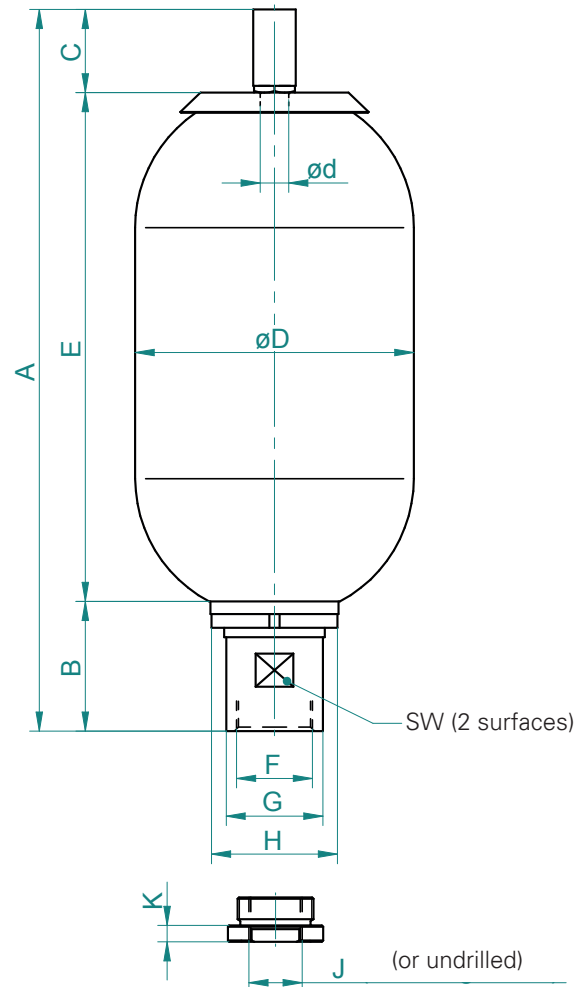
Hydraulic oil (mineral oil)  
Other mediums, such as biodegradable hydraulic oil, non-flammable liquids, water, emulsions, fuels, ect. should be specified at the time of ordering.

#### Installation

Vertical (hydraulic assembly downwards) to horizontal.  
Leave a space of 200 mm free above the gas inlet valve for attaching the tester and pressurizer instrument.

#### Method of mounting

Clamps and brackets with rubber core, or mounting set, see data sheet OSP 775 and OSP 780 "Accumulator-Accessories".



Model	Gasvol. V0 liter	Design pressure bar	Weight kg	Q max. l/min	Dimensions in mm												
					A	B	C	ø D	ø d	E	F	ø G	ø H	SW	J	K	
EHV 0,2 – 350 / 00 *	0,17	350	2,5	120	266	38	29	58	16	199	G ½"	27	38	24	G ¼"	8	
EHV 0,5 – 350 / 00 *	0,6	350	3,0	240	258	54	28	91	16	176	G ¾"	36	50	32	G 3/8"	8	
EHV 1 – 350 / 90 *	1	350	6,0	240	326	54	65	115	22	207	G ¾"	36	50	32	G 3/8"	8	
EHV 1,6 – 350 / 90	1,6	350	8,0	240	396	54	65	115	22	315	G ¾"	36	50	32	G 3/8"	8	
EHV 2,5 – 350 / 90	2,4	350	11	450	546	66	65	115	22	415	G 1¼"	53	68	50	G ¾"	10	
EHV 4 – 350 / 90	3,7	350	15	450	401	65	35	170	22	301	G 1¼"	53	68	50	G ¾"	10	
EHV 5 – 350 / 90	5	350	17	450	895	66	65	115	22	764	G 1¼"	53	68	50	G ¾"	10	
EHV 6 – 350 / 90	6	350	20	450	557	65	65	170	22	427	G 1¼"	53	68	50	G ¾"	10	
EHV 10 – 350 / 90 - L	10	350	31	450	822	65	65	170	22	692	G 1¼"	53	68	50	G ¾"	10	
EHV 10 – 330 / 90 - K	9,2	330	31	900	583	103	65	222	22	415	G 2"	76	101	70	G 1"	13	
EHV 12 – 330 / 90	11	330	36	900	683	103	65	222	22	515	G 2"	76	101	70	G 1"	13	
EHV 20 – 330 / 90	17,8	330	49	900	893	103	65	222	22	725	G 2"	76	101	70	G 1"	13	
EHV 24 – 330 / 90	22,5	330	56	900	1028	103	65	222	22	860	G 2"	76	101	70	G 1"	13	
EHV 32 – 330 / 90	32	330	81	900	1418	103	65	222	22	1250	G 2"	76	101	70	G 1"	13	
EHV 42 – 330 / 90	42	330	87	900	1562	103	65	222	22	1394	G 2"	76	101	70	G 1"	13	
EHV 50 – 330 / 90	48,5	330	110	900	1939	103	65	222	22	1766	G 2"	76	101	70	G 1"	13	
EHV 57 – 330 / 90	53	330	116	900	2032	103	65	222	22	1864	G 2"	76	101	70	G 1"	13	

## Spare parts lists

Models: EHV 0,2 – EHV 57 liter

Pos.	Part
1	Bladder assembly ød*
2	Bladder
3	Gas inlet valve assembly
4	Valve cap and gasket
5	Gas inlet valve and gasket
6	Nut
7	Protective cap
8	Hydraulic valve sub-assembly complete
9	Anti-extrusions ring / retention washer
10	Gland ring
11	Ring nut
12	Hydraulic valve sub-assembly
13	Gasket assembly (contains all gaskets)
14	Flat seal
15	O-ring
16	O-ring
17	Retaining ring
18	O-ring

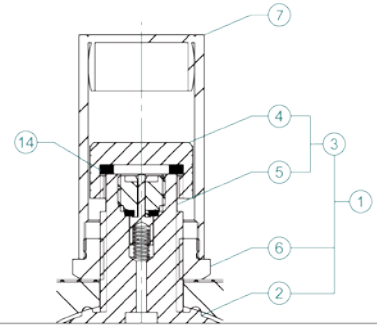
### Important informations

- Certification: EHV series accumulators are manufactured, tested and documented according to the pressure equipment directive 2014/68/EC. Other certifications on demand.
- The technical data on the manufacturer's nameplate must be indicated on the order.
- The accumulator shell is not available as a spare part.
- Quality code used for the bladder.
- \* ød should be specified at the time of ordering.

Example:

d = ø 16 mm EHV 0,2 and EHV ,  
d = ø 22 mm EHV 1 to EHV 57

Models: EHV 0,2 – EHV 10-L liter



Models: EHV 10-K – EHV 57 liter

