

· AC · SK109



Dia.113x37mm / 4.5inch
110~50 CFM

Model No	Rated Volt	Voltage Range	Freq	Input Power	Ref. Speed	Max. Airflow		Max. Static Pressure		Noise Level	PQ
	VAC	VAC	Hz	Watt	RPM	CFM	m3/min	Inch/H2O	mm	db(A)	
SK109AP-11-1**	115	100~120	50/60	17/15	2500/2700	85/101	2.4/2.9	0.29/0.32	7.37/8.13	43	
SK109AP-11-2**	115	100~120	50/60	13/11	2300/2200	76/69	2.2/2	0.22/0.19	5.59/4.83	37	
SK109AP-11-3**	115	100~120	50/60	10/8	1950/1300	68/50	1.9/1.4	0.18/0.14	4.57/3.56	29	
SK109AP-22-1**	230	200~240	50/60	17/15	2500/2700	85/101	2.4/2.9	0.29/0.32	7.37/8.13	43	
SK109AP-22-2**	230	200~240	50/60	13/11	2300/2200	76/69	2.2/2	0.22/0.19	5.59/4.83	37	
SK109AP-22-3**	230	200~240	50/60	10/8	1950/1300	68/50	1.9/1.4	0.18/0.14	4.57/3.56	29	
SK109AP-4-1**	24	24~28	50/60	17/15	2650/3000	90/105	2.5/3	0.28/0.31	7.11/7.87	43	
SK109AP-38-1**	380(420)	380~420	50/60	17/15	2650/3000	90/105	2.5/3	0.28/0.31	7.11/7.87	43	
SK109AP-44-1**	440(480)	440~480	50/60	17/15	2650/3000	90/105	2.5/3	0.28/0.31	7.11/7.87	43	
SK109AP-11/22-1**	115	100~120	50/60	17/15	2650/3000	90/105	2.5/3	0.28/0.31	7.11/7.87	43	
dual voltage	230	200~240									

- The stated airflow, air pressure, noise levels are measured with housing orifice dia.: impeller Φ +1~1.5mm, at distance: approx. height of impeller + motor frame. The optimal operating data can only be depended on the installation conditions.
- ** = "WB" for wire lead type Ball bearing, or "TB" for terminal type Ball bearing
- 100, 200, 240V or special voltages 12, 24, 28, 38, 42, 48, 380~440~480... 50/60Hz, & dual voltage version available on request.
- Dual speed High/Medium 1/2, High/Low 1/3, Medium/Low 2/3, Low/extra Low 3/4 or triple speed 1/2/3 available on request.
- Sinwan reserves the right to change data and improve electrical or mechanical design without notice, data tolerance \pm 10%

Motor

Motor Type: Shaded pole induction, 1-phase
Burnout Protection: Impedance protected
IP Protection:

Mechanical

Frame: Aluminum die-cast, black color cosmetics
Impeller: Glass fiber reinforced PBT thermoplastic impeller, UL94V-0
Bearing: Two precision double sealed ball bearings
Rotation: CCW seen on rotor
Connection: Wire lead
Weight: 490Gm (1.1Lb)

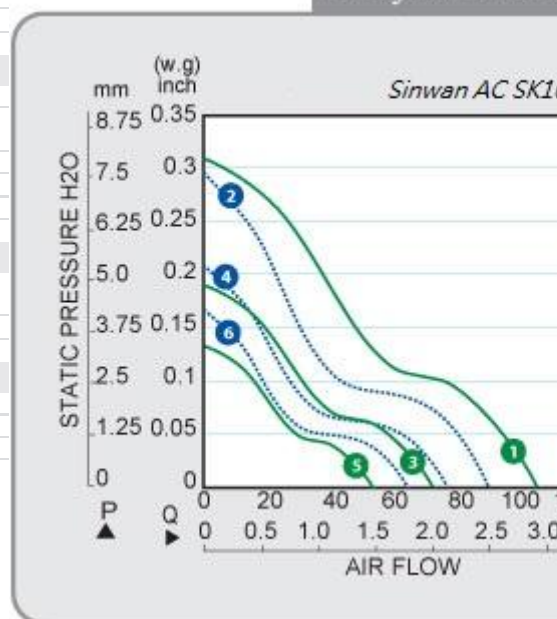
Electrical

Dielectric Strength: Over 1 minute at 1,500 VAC, 0.5mA, 50/60 Hz
Insulation Resistance: Over 100 M Ω at DC 500V
Signal Output:

Environment

Operating Temp: Ambient non-condensing -20~+70C
Storage Temp:
Life Expectancy: -

Performance P



Nomenclature



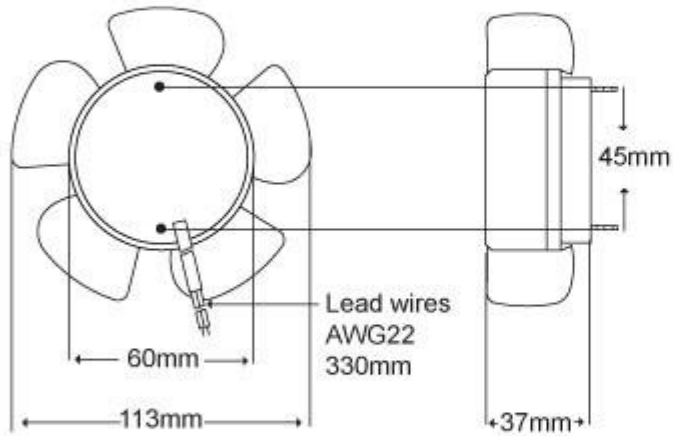
Dual Voltage



Multiple Speed

▶ Outline Dimensions

Relevant products



Mounting screw
M3.5 x 0.6P
L: 13+-1mm

*Screw Length
to meet custom

