



TYPE

Phaso 9/878/1

10.07.2017

Artikel:

5961-59597-01

NOMINAL RATINGS

Rated output	Qn	878,00 kvar
Rated voltage	Un	9,00 kV rms
Capacitance	Cn	34,50 μ F
Rated current	In	97,6 A
Frequency	fn	50 Hz
Isolation level	Ui	--/95 kV BIL
Internal fuse		YES
Pressure switch		NO
Discharge resistor		600sec/75V
Installation		indoor
Connection	IS	single phase

BUSHING

D-401

Number	1
Material	Porcelain
Flash over distance	163 mm
Creepage distance	317 mm
Terminal	M 16

Standard

IEC60871-1

OPERATING TEMPERATURE

Minimum ambient:	Tmin	-15 °C
Maximum ambient:	Tmax	+50 °C

STORAGE TEMPERATURE (>3 month)

Ambient	Tmin	-30 °C
Ambient	Tmax	+40 °C

TECHNOLOGY

Dielectric	Allfilm
Filling material	Polypropylene
Quantity of oil	C101
	25,3 l

DESIGN DATA

Weight	104 kg
Casing material	Stainless steel EDA
Painting	RAL 7033
Mounting position	horizontal *)
Dimensions	345*200*1080 mm

ROUTINE TEST

	<i>Test voltage</i>	
Terminal/Terminal/Case		18.000 VAC,10s
Terminal/Terminal/Case		36.000 VDC,10s
Terminal/Case		0 VAC,10s

DRAWING

ME-726-111-001	HT	1318 mm
	HB	235 mm
	H	1080 mm
	A	246 mm
	M	16 mm

*) From electrical perspective, ESTA Capacitors can be erected vertically as well as horizontally

Vishay Europe Sales GmbH

Dr.-Felix-Zandman Platz-1, D-95100 Selb, Germany

Amtsgericht/County Court Hof HRB 2894,

Geschäftsführer/Managing Directors:

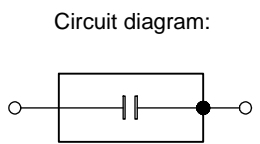
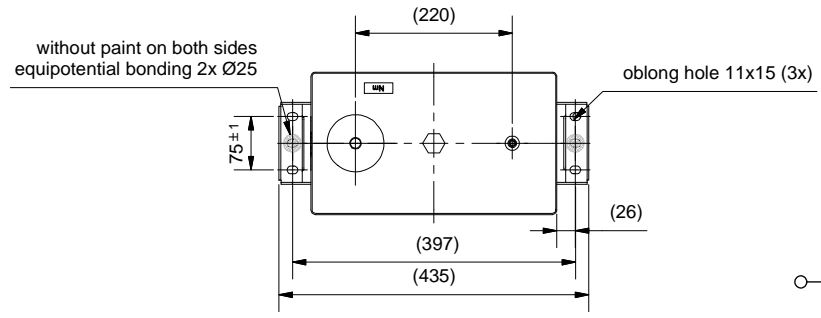
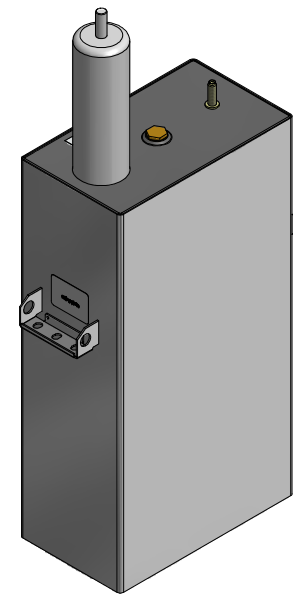
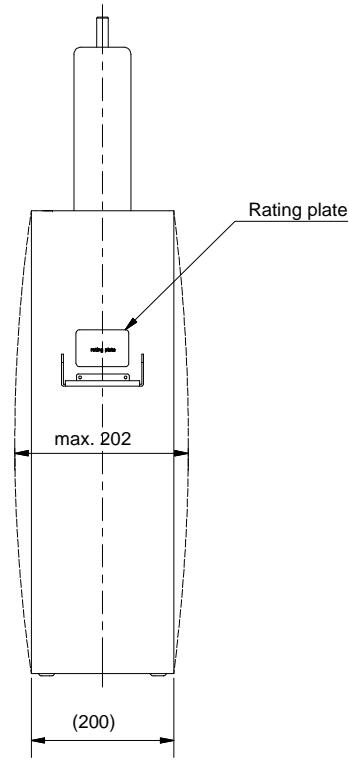
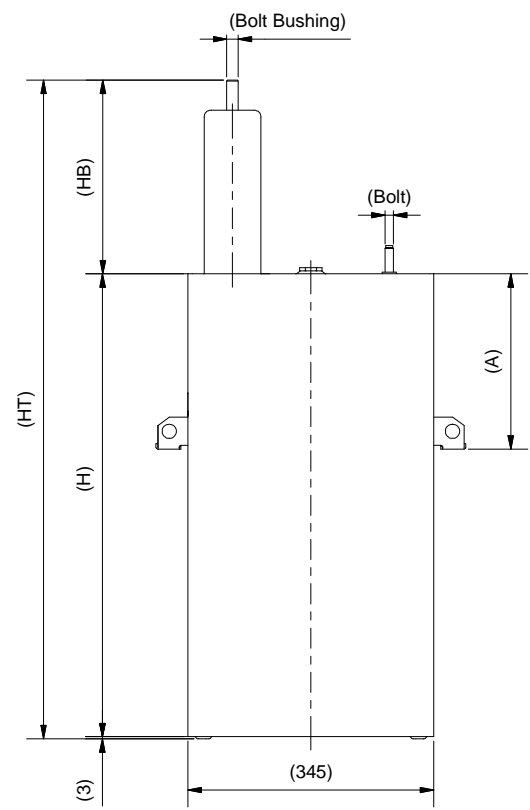
Stefan Fischer, Werner Gebhardt, Arnold Rohr

www.vishay.com

[Please click here for ZVEI safety instructions](#)

Statements about product lifetime and FIT rate are based on calculations, field data and internal testing. They should only be interpreted as estimations. Also, due to external factors, the lifetime and FIT rate in the field application may deviate from the calculated values. In general, nothing stated herein shall be construed as a guarantee of quality or durability.

We reserve all rights for this technical document, this applies especially in the case of a patent being issued or a design registered. This technical document may neither be copied nor rendered accessible to third parties without our prior written agreement. Fabrication, reproduction or other utilization - also by means of tools which have been fabricated to this drawing - in accordance with this document is prohibited to third parties. Violation entitle us to claim for damage and may result in prosecution.



**PRELIMINARY DRAWING
FOR INFORMATION ONLY**
 Entwurfszeichnung - nur zur Information

PERMISSIBLE TOLERANCES ISO 2768: c					
APPLICATION FOR:					
DIMENSIONS IN: mm		SCALE: 1 : 7,5 A3			
MODEL: ME-726-111-001e-A5 - Stamppause.iam					
SPECIFICATION No.:		INDEX	REVISION		DATE NAME
DRAWN: 11.10.2016		MATERIAL: ---		DESIGNATION: Capacitor Type: Phao	
ahaammerl		WEIGHT: ---			
CHECKED: 11.10.2016		SUBST. FOR:			
pschmidt		SUBST. BY:		REMARK: ME-726-111-001	
DIN ISO 128-30		STATUS:			
Hofmark-Aich-Str. 36 84030 Landshut Germany		VISHAY ESTA Capacitors Division			
		DWG-No.: SAP: XXXX-XXXXX		ME-726-111-001e-A5 - Stamppause	
		EDV-No.: ME-726-111-001e-A5 - Stamppause.dwg			