

Junction Boxes Series 8102



www.stahl.de



10072E00

- > Robust enclosure of glass fibre reinforced polyester resin
- > Equipped with 4 sheath terminals and 1 PE connection
- > Terminal capacity: 2 x 4 mm², single-wire
- > Degree of protection IP66

E3



The junction boxes Series 8102 are used to transport and distribute electrical energy in areas subject to explosion hazards. The robust enclosures made of glass fibre reinforced polyester resin are equipped with four sheath terminals and a PE connection.



Zone	ATEX / IECEx					
	0	1	2	20	21	22
For use in		x	x		x	x

WebCode 8102A

Junction Boxes

Series 8102

Selection Table

Version	Description	Order number	Weight kg
 02220E00	3 x M20 x 1.5 semi gland	Ex e 8102/21-31	0.278
		Ex i 8102/22-31	0.300
 01599E00	3 x M20 x 1.5 cable gland	Ex e 8102/21-32-C995	0.200
	2 x M20 x 1.5 cable gland, 1 x M25 x 1.5 cable gland	Ex e 8102/21-42-C1151	0.330
	2 x M20 x 1.5 cable gland, 1 x M20 x 1.5 stopping plug	Ex e 8102/21-32-C1013	0.100

Explosion Protection

Europe (ATEX)

Gas and dust

PTB 01 ATEX 1136

⊕ II 2 G Ex e ia IIC T6, T5 Gb

⊕ II 2 D Ex tb IIIC T80 °C, T95 °C Db

Certifications and certificates

Certificates

ATEX, Ukraine (TR), Belarus (operating authorisation)

Technical Data

Electrical data

Rated operational voltage

750 V

Rated operational current

max. 25 A

Ambient conditions

Ambient temperature

Ex e version with semi glands:
-50 ... +55 °C T6/T80 °C; -50 ... +70 °C T5/T95 °C
Ex i version with semi glands:
-50 ... +75 °C T6
Ex e version with cable glands:
-40 ... +40 °C T6/T80 °C; -40 ... +70 °C T5/T95 °C
Ex i version with cable glands:
-40 ... +75 °C T6

Mechanical data

Degree of protection

IP66 according to IEC/EN 60529

Enclosure material

Polyester resin UP-RM 427 C-F/R8 RAL 7012 similar to grey

Cover lock

Stainless steel cheese-head screw M4

Tightening torque

1.4 Nm

Connection Terminals

Type of terminals

Sheath terminal, M7 x 7.5

Tightening torque

2.5 Nm

Mounting / Installation

Cable glands




M20 x 1.5 (tightening torque 2.3 Nm)	Cable gland
M25 x 1.5 (tightening torque 3.0 Nm)	Cable gland
M20 x 1.5 (tightening torque 1.5 Nm)	Semi gland

Junction Boxes

Series 8102

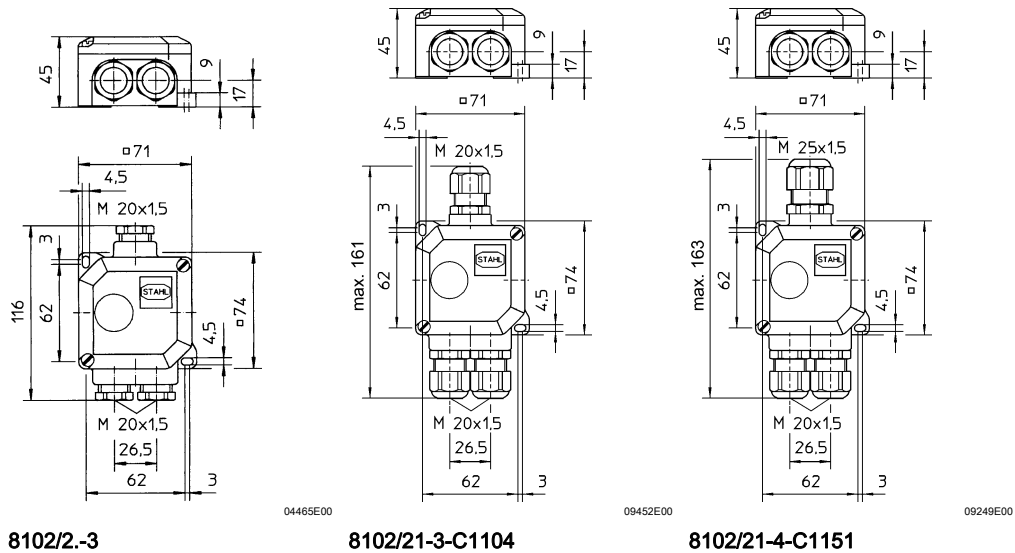


Accessories and Spare Parts

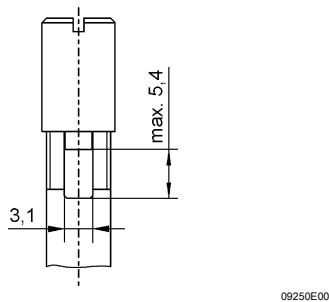
Designation	Figure	Description	Art. no.	Weight kg	
Semi gland	 04838E00	8194/5-3-3 x M20 x 1.5	3 pieces	140474	0.019
Cable gland	 02055E00	8161/5-M20-13	1 piece	138518	0.012
		8161/5-M25-17	1 piece	138520	0.020
Stopping plug	 04840E00	8290/3-M20	1 piece	143522	0.005
		8290/3-M25 x 1,5	1 pieces	143524	0.007

E3

Dimensional drawings (all dimensions in mm) - subject to alterations



Layout of available connection chamber of sheath terminal:



We reserve the right to make alterations to the technical data, dimensions, weights, designs and products available without notice. The illustrations cannot be considered binding.