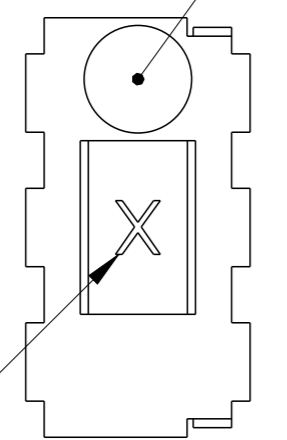


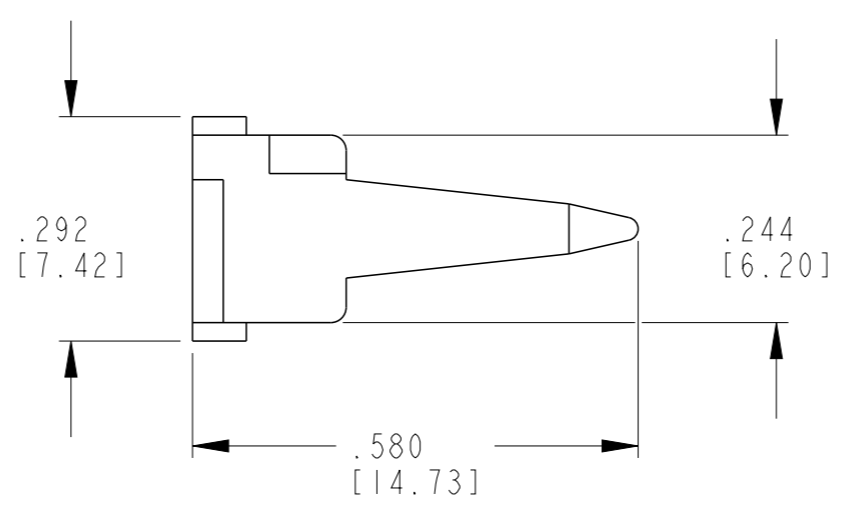
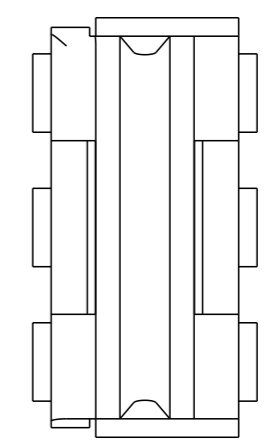
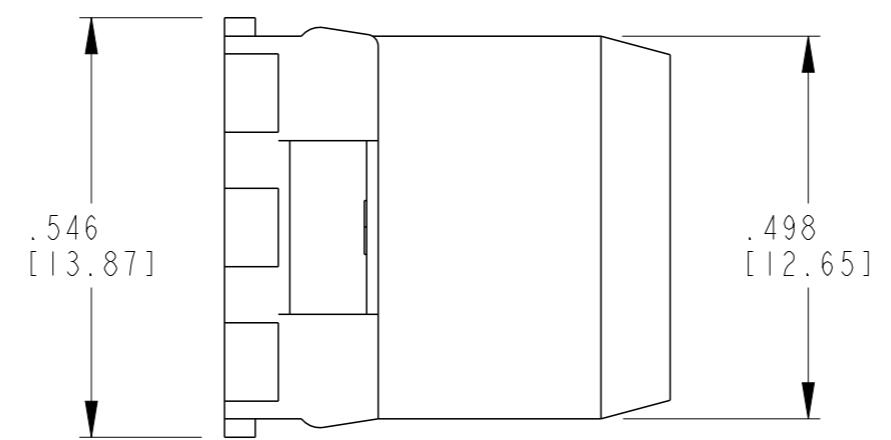
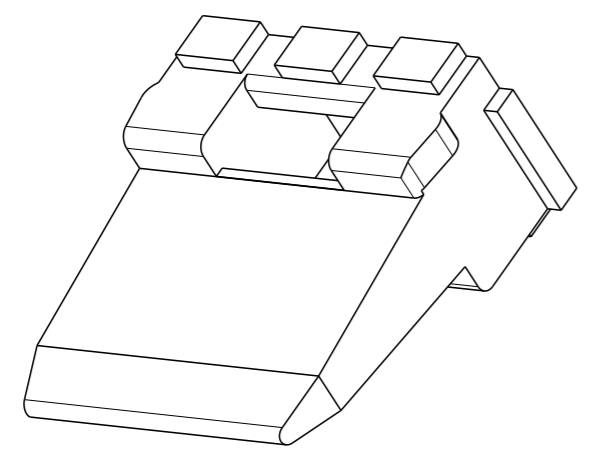
THIS DRAWING IS UNPUBLISHED. RELEASED FOR PUBLICATION 2013
 © COPYRIGHT 2013 TE CONNECTIVITY ALL RIGHTS RESERVED.

LOC	DIST	REVISIONS				
P	LTR	DESCRIPTION	DATE	DWN	APVD	
-	-	A	REVISED PER EO PI5887	2-15-99	-	RDR
		B	REVISED PER EO P21310	4-26-12	RLM	RDR
		C	REVISED PER ECO-13-013634	8-26-13	RLM	DM
		CI	REVISED PER ECO-14-005288	4-9-14	PV	DM

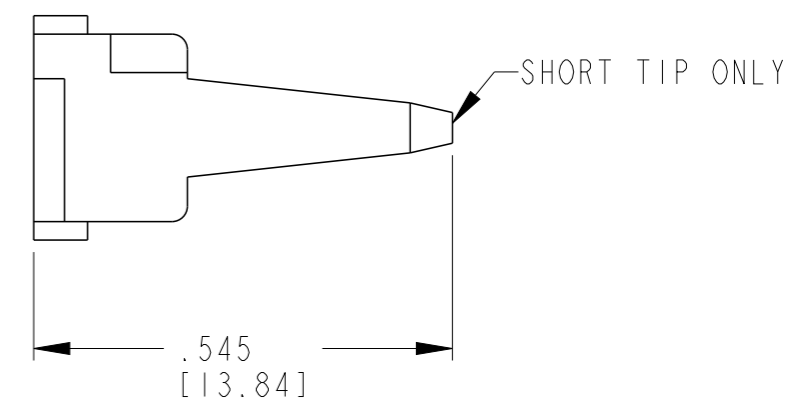
OPTIONAL GATE VESTIGE APPROX. AS SHOWN




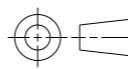
CAVITY I.D. APPROX. AS SHOWN.



OPTIONAL CONFIGURATION



1. USED WITH DT04-6P-**** (**** = ALL MODIFICATIONS). CONSULT FACTORY FOR MODIFICATIONS AND APPLICATION.

THIS DRAWING IS A CONTROLLED DOCUMENT.		DWN 16AUG2013 R. MESSENGER	 TE Connectivity	
DIMENSIONS: INCHES [mm]		CHK 28MAR2014 R. MESSENGER		
		APVD 28MAR2014 D. MEYER	NAME WEDGE LOCK 6 WAY RECEPTACLE DT SERIES	
TOLERANCES UNLESS OTHERWISE SPECIFIED:		PRODUCT SPEC	RESTRICTED TO	
0 PLC ± 1 PLC ± 2 PLC ± 3 PLC ±0.010 [0.25] 4 PLC ± ANGLES ±0°30'0"		APPLICATION SPEC	SIZE A3	CAGE CODE 4AFU8
MATERIAL PLASTIC GREEN	FINISH -	WEIGHT 0.84 g	DRAWING NO. C-W6P	SCALE 4:1
CUSTOMER DRAWING			SHEET 1 OF 1	REV CI