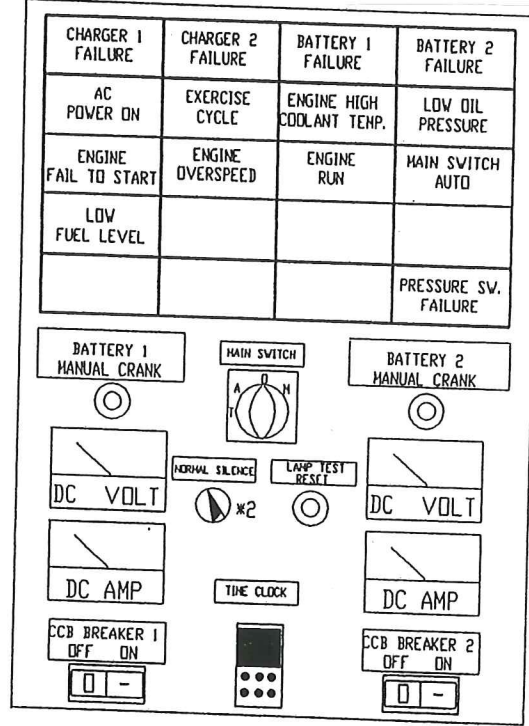
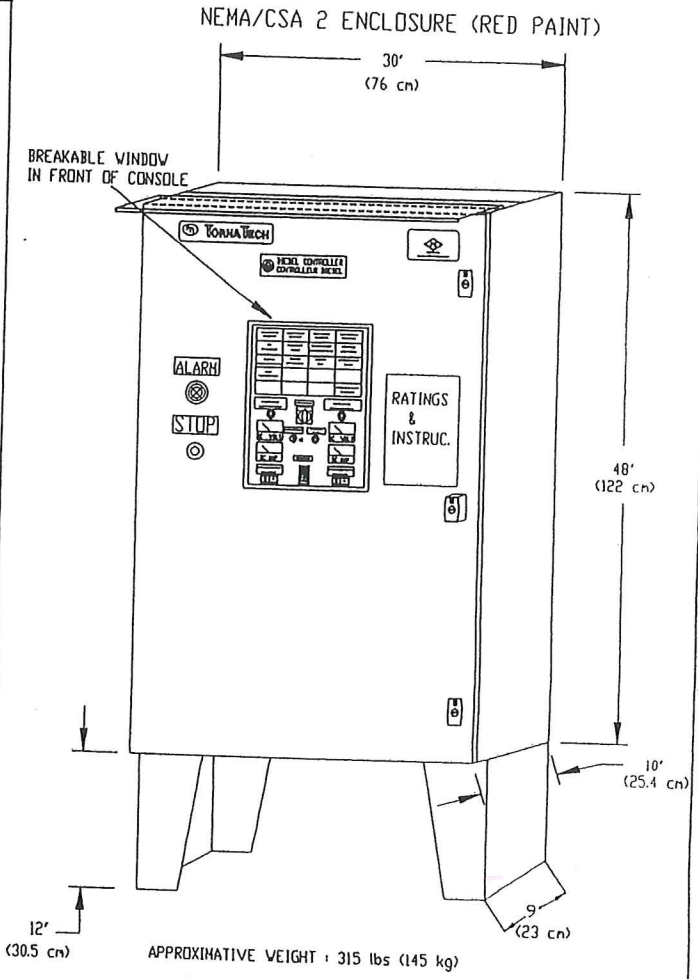


NOTE 1



METAL HATCH ELEVATED ABOVE MOUNTING PLATE BY 8" COLUMNS

- NOTES :
- \* OPTIONAL EQUIPMENT
  - \*2 SOCKETS PROVIDED TIMERS OPTIONAL
  - # INDICATES OPTION NUMBER



JUN 26 1995



THIS DRAWING AND THE INFORMATION DEPICTED THEREIN IS THE PROPERTY OF TORNATECH INC. COPIES ARE ISSUED IN STRICT CONFIDENCE AND SHALL NOT BE REPRODUCED OR COPIED OR USED AS THE BASIS FOR THE MANUFACTURE OR SALE OF PRODUCTS WITHOUT PRIOR WRITTEN PERMISSION OF TORNATECH INC.

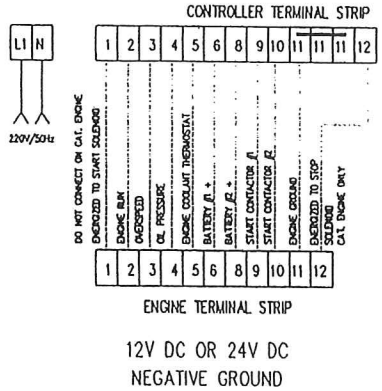
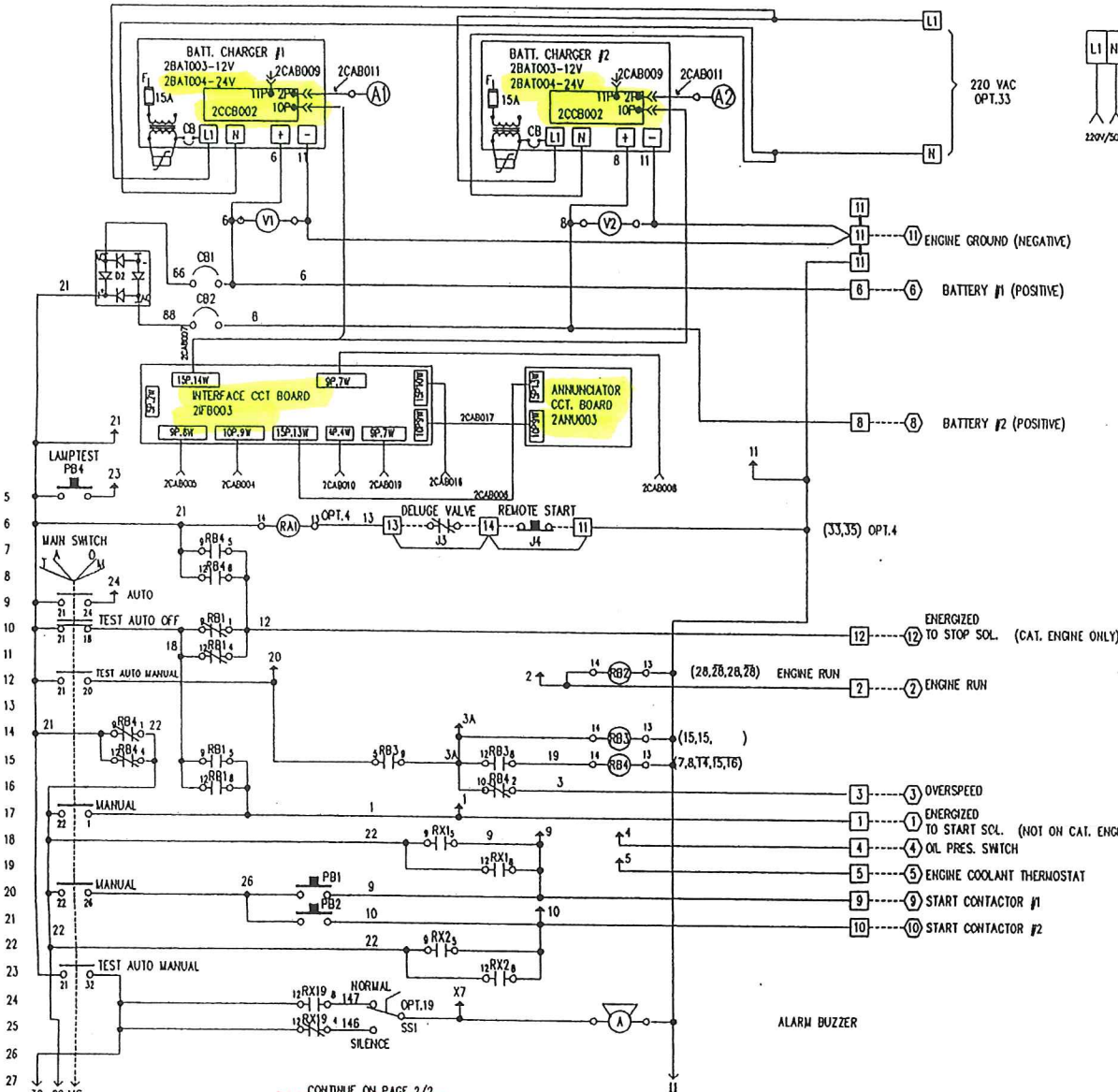
DATE	REV	DES.	CHKD.	APPR.	REVISIONS DESCRIPTION
95/04/06	12	ZSS	ZSS	B.G.	NEW CARTRIDGE
95/04/06	11	ZSS	ZSS	B.G.	

**TORNATECH INC**

DATE: 95/05/01  
 SCALE: NTS  
 DES.: ZSS  
 CHECKED: [Signature]  
 APPR.: [Signature]

TITLE: DIESEL ENGINE FIRE PUMP CONTROLLER Model FPD (LAYOUT)

ORDER: [ ] REF.: [ ] PROJECT: [ ]  
 CUSTOMER: [ ] DRAWING No: FPD-N-F-L055 /E



LEGEND

(Z)	CONTROLLER TERMINAL
(E)	ENGINE TERMINAL
(R)	RELAY (TYPICAL)
(A)	AMMETER (TYPICAL)
(V)	VOLTMETER (TYPICAL)
(T)	TIMER (TYPICAL)
(B)	ALARM BUZZER
(/O)	NORMALLY OPEN CONTACT
(/C)	NORMALLY CLOSE CONTACT
(PB)	PUSH BUTTON NC
(NO)	PUSH BUTTON NO
(TDR)	TIMER ON DELAY HOR. OPDN
(TDR)	TIMER ON DELAY HOR. CLOSE
(↑)	INTERFACE CCT. BO. COMM.

FLAT RUBBING CABLES SCHEDULE

CABLE #	DESIGNATION	WIRE NUMBERS	I/C BOARD PLUG #
2CAB004	RELAY INPUTS	1,2,3A,9,10,20,25,29,31	10P.9W
2CAB005	RELAY INPUTS	4,5,11,21,23,24,33,46	9P.8W
2CAB006	STANDARD ANNUNCIATOR	NA	15P.13W
2CAB007	CHARGER/INTERFACE	NA	15P.14W
2CAB008	STANDARD RELAY OUTPUTS	X1,X2,X3,X4,X5,X6,X7	9P.7W
2CAB009	CHARGER HARNESS	3,4,5,6,7,8,10,11	NA
2CAB010	CLOCK	NA	4P.4W
2CAB011	AMPMETER CABLE	+,-	NA
2CAB015	PRESSURE RECORDER	+,-	5P.2W
2CAB016	OPTIONAL RELAY OUTPUTS	X10,X11,X12,X13,X14,X15,X16,X17,X18,X19	15P.10W
2CAB017	OPTIONAL ANNUNCIATOR	NA	10P.9W
2CAB019	PUMP ROOM OPTIONS INPUTS	34,35,36,37,38,39,40	9P.7W

- OPTIONS :
- OPT. 4. : PROVISION FOR REMOTE AND DELUGE VALVE CIRCUIT
  - OPT.19. : SILENCE SWITCH & COMMON ALARM
  - 19.1. : LOW FUEL LEVEL
  - OPT.33. : 220V / 50Hz INCOMING POWER

NOTES  
 REMOTE START : REMOVE JUMPER J3 OR J4 IF REMOTE START IS CONNECTED.

CONTINUE ON PAGE 2/2  
 JUN 26 1995

FM APPROVED FIRE PUMP CONTROLLER

SA ULC

THIS DRAWING AND THE INFORMATION SPECIFIED THEREIN IS THE PROPERTY OF TORNATECH INC. COPIES ARE ISSUED IN STRICT CONFIDENCE AND SHALL NOT BE REPRODUCED OR COPIED OR USED AS THE BASIS FOR THE MANUFACTURE OR SALE OF PRODUCTS WITHOUT PRIOR WRITTEN PERMISSION OF TORNATECH INC.

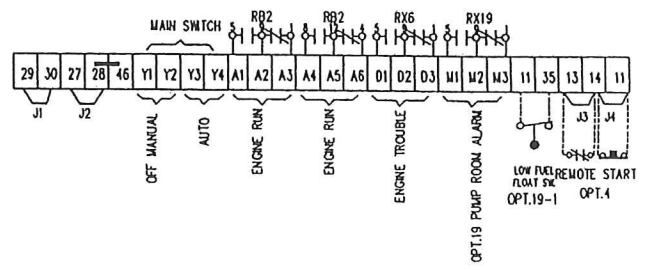
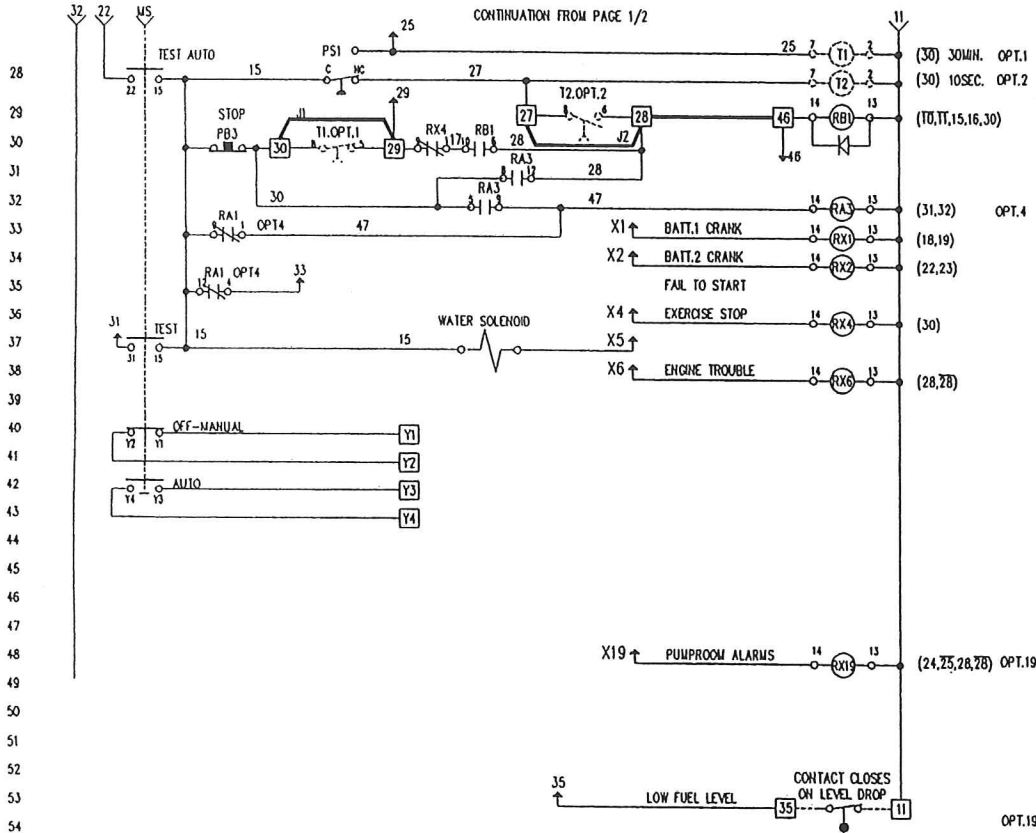
REV.	DATE	BY	CHKD.	APPR.	REVISIONS DESCRIPTION
13	95/04/25	ZSS	ZSS	B.G.	TERMINAL STRIP MODIFIED
12	95/04/06	ZSS	ZSS	B.G.	NEW CARTRIDGE
11	95/04/01	MEV.	DEC.	CHKD.	

TORNATECH INC

TITLE: DIESEL ENGINE FIRE PUMP CONTROLLER

DATE: 95/05/01  
 LAST No: 117  
 ISS: ZSS  
 CHECKER: [Signature]  
 ORDER: [Signature]  
 APPR: [Signature]

REF. PROJ. EST. PROJ. EST. FPD-N-S055 1/2 /E



JUN 26 1995

NOTES:  
 OPTION No.1 NOT PROVIDED : TIMER TR1 NOT INSTALLED, DO NOT REMOVE JUMPER J1.  
 OPTION No.2 NOT PROVIDED : TIMER TR2 NOT INSTALLED, DO NOT REMOVE JUMPER J2.

12V DC OR 24V DC  
 NEGATIVE GROUND

 APPROVED FIRE PUMP CONTROLLER			DATE: 95/05/01 LAST No: 117 TITLE: DIESEL ENGINE FIRE PUMP CONTROLLER			
			THIS DRAWING AND THE INFORMATION SPECIFIED THEREON IS THE PROPERTY OF TORNA TECH INC. COPIES ARE ISSUED IN STRICT CONFIDENCE AND SHALL NOT BE REPRODUCED OR COPIED OR USED AS THE BASIS FOR THE MANUFACTURE OR SALE OF PRODUCTS WITHOUT PRIOR WRITTEN PERMISSION OF TORNA TECH INC.	95/04/06 12 ZSS ZSS D.G. NEW CARTRIDGE	95/04/07 1 REV. DEL. CRK. APPR. REVISED DESCRIPTION	CHECKED: [Signature] APPR: [Signature]