

CABLE DATASHEET

**Nexans Power Accessories
Germany GmbH**

Ferdinand-Porsche-Straße 12
D-95028 Hof/Saale

Tel.: +49(0)9281 / 8306 - 0

Fax: +49(0)9281 / 8306 - 480

E-Mail: Kundenzentrum.Hof@nexans.com

Company:

Address:

Tel.:

Fax:

E-Mail:

Cable Data

Cable type:

Single core
Three core
Other

Single core flexible rubber insulated cable
Three core flexible rubber insulated cable
Standard

Conductor material:

Aluminium
Copper

cross section mm²

Conductor shape:

stranded conductor
solid conductor
flexible sector conductor
solid sector conductor
flexible conductor

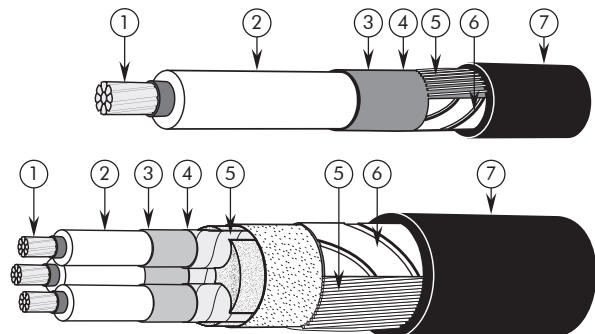
RM(V)
RE
SM
SE
RF

Other

System Voltage:

3.6/6 (7.2) kV
6/10 (12) kV
6.35/11 (12) kV
8.7/15 (17.5) kV
12/20 (24) kV
12.7/22 (24) kV
18/30 (36) kV
19/33 (36) kV
20.8/36 (42) kV
Other: kV

Type of cable:



1. Ø Conductor **12,9** mm
2. Ø Core insulation **8,0** mm
3. Ø Semi-conductive screen **0,4** mm
4. fixed bonded semiconductive layer graphitated semiconductive layer extruded easy strip conductive screen
5. Metal screen Al Cu Wire screen Tape screen Cross section
6. Armour type Yes No Armour Max. Current A
7. Outer sheath diameter: **40-42** mm

XLPE PVC EPR

Wire screen Tape screen Cross section
Armour Max. Current A