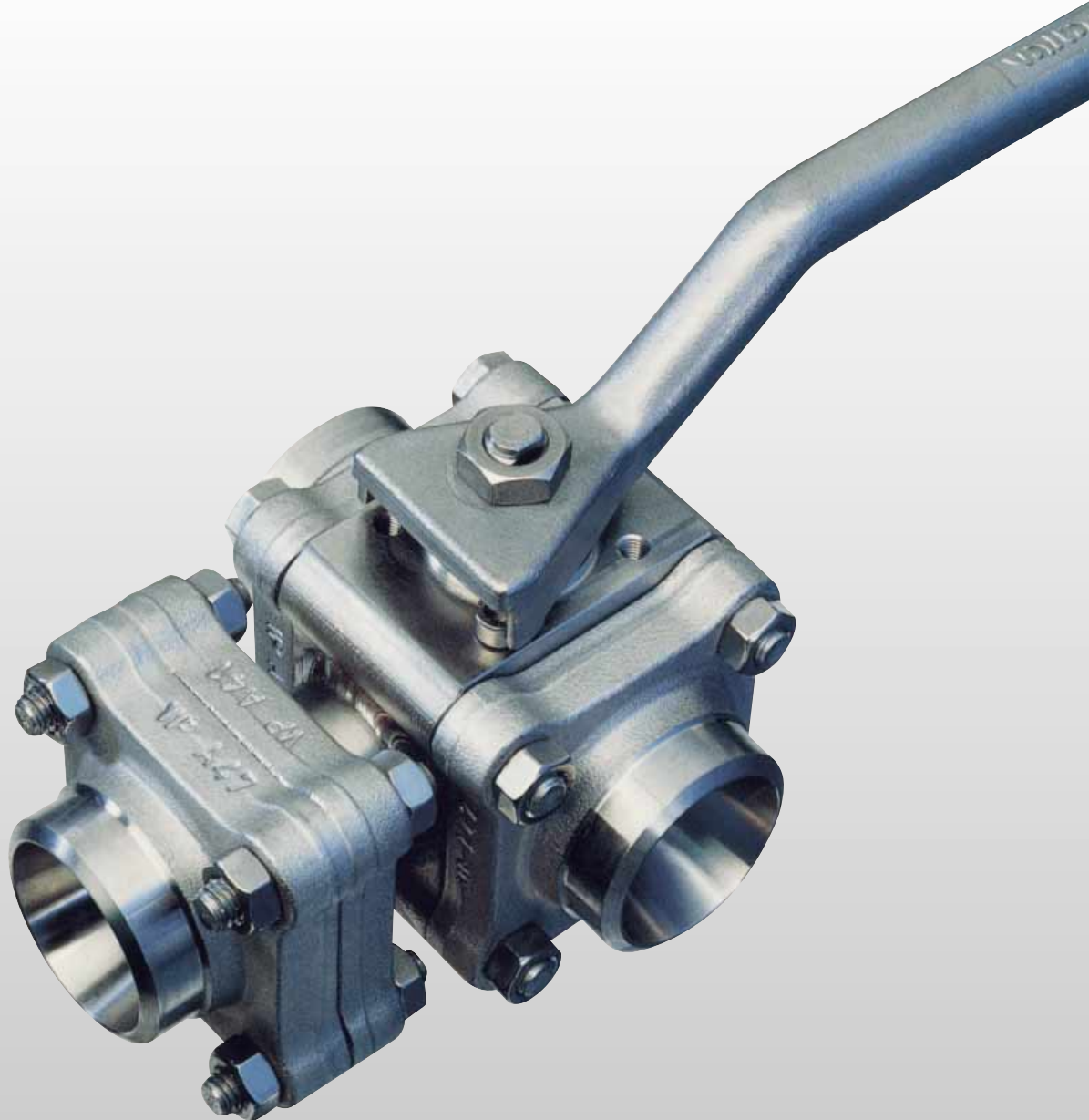


VALTACO BALL VALVE 17i**valtaco****Features**

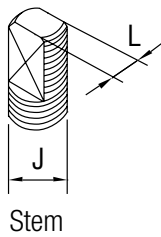
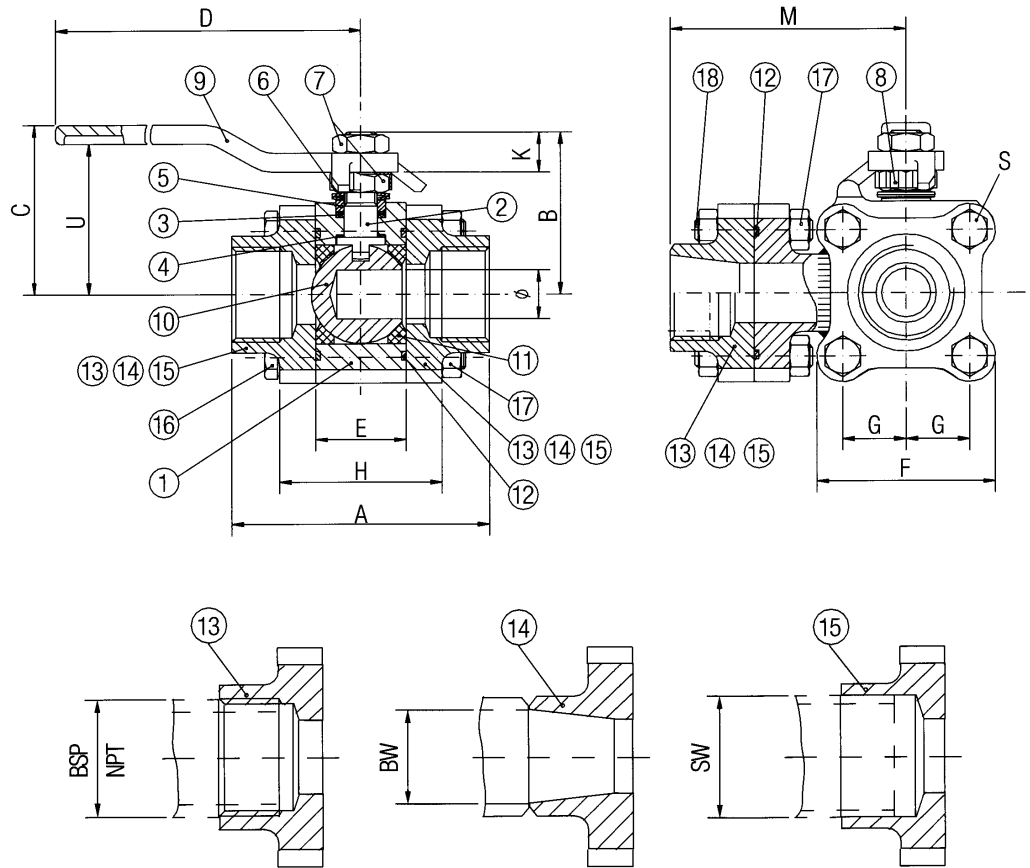
- Encapsulated bolting
- Wide range of connections, seals and accessories
- Solid ball
- DN 8 – 50 / 1/4" – 2", max. PN 50 / 725 psi

Benefits

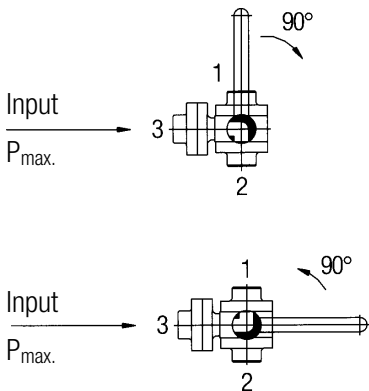
- Suitable for difficult applications
- Suitable for various useages
- Excellent flow characteristics
- Temperature: possible to 350°C

VALTACO BALL VALVE 17i – Reduced Bore – DN 1/2"-2"

- 1 Body
- 2 Stem
- 3 Stem Seal
- 4 Thrust Washer
- 5 Stem Seal Follower
- 6 Plate Spring
- 7 Hex. Nut
- 8 Lock Cap
- 9 Handle
- 10 Ball
- 11 Seat
- 12 Body Seal
- 13 Screwed End
- 14 Butt Weld End
- 15 Socket Weld End
- 16 Body Bolt
- 17 Body Nut
- 18 Stud

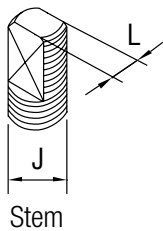
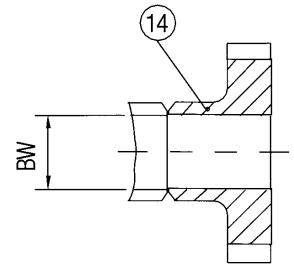
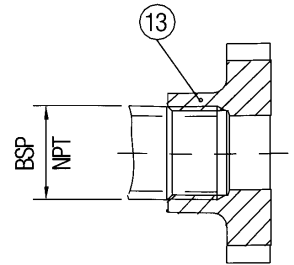
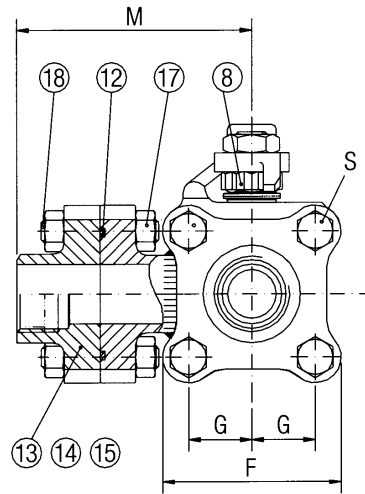
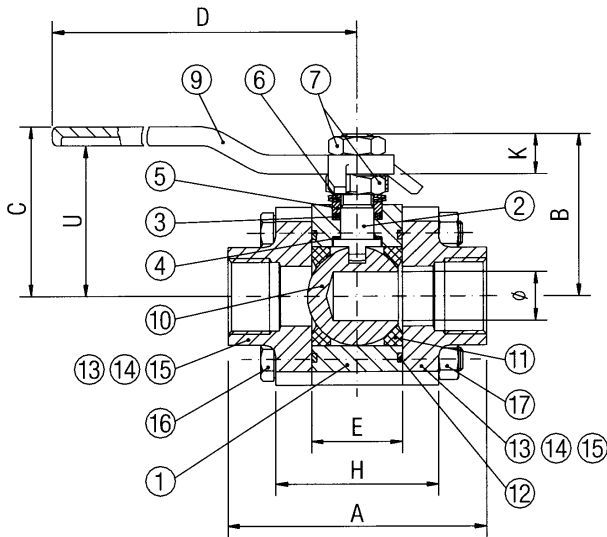


L-Bore

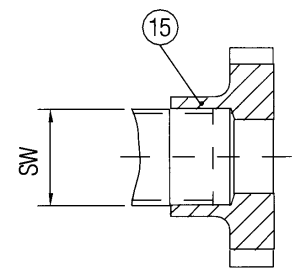
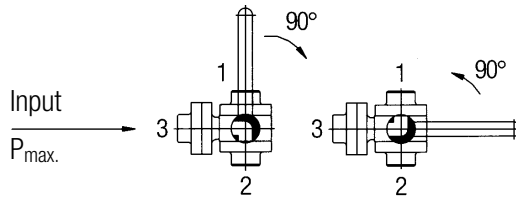


DN	15	20	25	32	40	50
SIZE	1/2"	3/4"	1"	1 1/4"	1 1/2"	2"
BW	15.8	21	26.6	35.1	41	52.5
SW	22	27.5	34.5	43	49	61.5
Ø	10	12	17	23	30	35
A	66	76	90	105	115	130
B	36	42	56	60	71	76
C	41	44	58	63	74	79
D	107	107	145	145	175	175
E	20.6	24.6	31.7	41.3	48.4	56.3
F	45	51	62	68	77	87
G	16	19	22	25	29	33
H	40	46	57	67	76	86
J UNF	3/8"	3/8"	7/16"	7/16"	9/16"	9/16"
K	9	12	14	14	16	16
L	5.5	5.5	7.5	7.5	9	9
M	62	71	82	92	99	111
S	M6x47	M6x55	M8x65	M8x75	M10x90	M10x100
U	36	39	52	57	66	71
kg	0.9	1.2	2.3	2.9	3.9	5.4

VALTACO BALL VALVE 17i – Full Bore – DN 1/4" - 1 1/2"



L-Bore



Features

- Encapsulated bolting
- Wide range of connections, seals and accessories
- Solid ball

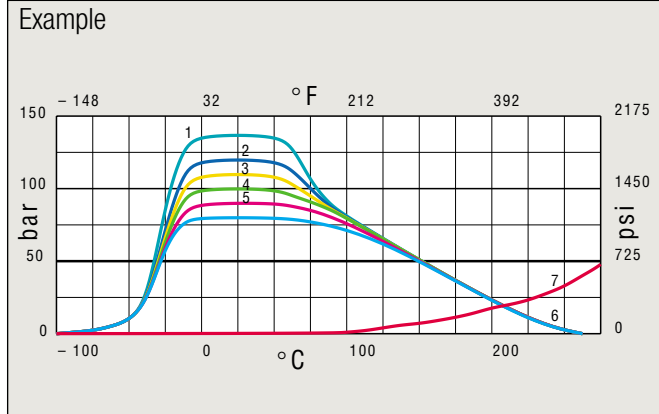
Benefits:

- Suitable for difficult applications
- Suitable for various useages
- Excellent flow characteristics
- Possible various T-Bore

DN	8	10	15	20	25	32	40
SIZE	1/4"	3/8"	1/2"	3/4"	1"	1 1/4"	1 1/2"
BW	9.2	12.5	15.8	21	26.6	35.1	41
SW	14	18	22	27.5	34.5	43	49
Ø	10	10	12	17	23	30	35
A	66	66	76	90	105	115	130
B	36	36	42	56	60	71	76
C	41	41	44	58	63	74	79
D	107	107	107	145	145	175	175
E	20.6	20.6	24.6	31.7	41.3	48.4	56.3
F	45	45	51	62	68	77	87
G	16	16	19	22	25	29	33
H	40	40	46	57	67	76	86
J UNF	3/8"	3/8"	3/8"	7/16"	7/16"	9/16"	9/16"
K	9	9	12	14	14	16	16
L	5.5	5.5	5.5	7.5	7.5	9	9
M	62	62	71	82	92	99	111
S	M6x47	M6x47	M6x55	M8x65	M8x75	M10x90	M10x100
U	36	36	39	52	57	66	71
kg	0.9	0.9	1.2	2.3	2.9	3.9	5.8

VALTACO BALL VALVE 17i

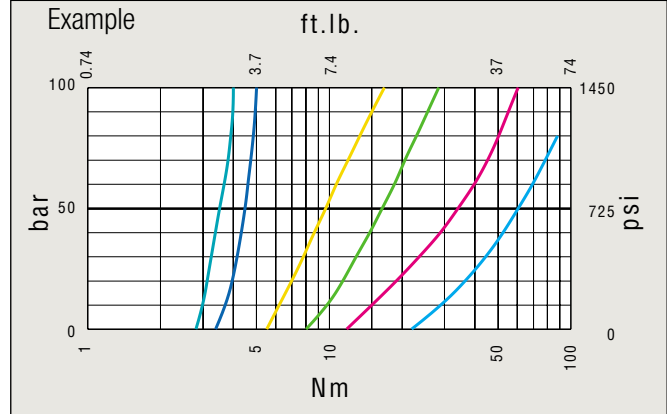
PT-Diagram



Legend

- 1 ■ DN 15 vent. RB / 10 int. FB / 8 int. FB
- 2 ■ DN 20 vent. RB / 15 int. FB
- 3 ■ DN 25 vent. RB / 20 int. FB
- 4 ■ DN 32 vent. RB / 25 int. FB
- 5 ■ DN 40 vent. RB / 32 int. FB
- 6 ■ DN 50 vent. RB / 40 int. FB
- 7 ■ Steam

Breakaway torques



These diagrams are for PTFE & glass seats



Materials

		17i44	17i66
1	Body	A105N	AISI316
2	Stem		AISI316L
3	Stem Seal		PTFE-carbon 33%
4	Thrust Washer		PTFE-carbon 33%
5	Stem Seal Follower		AISI303
6	Plate Spring		AISI301
7	Hex. Nut		AISI303
8	Lock Cap		AISI304
9	Handle		CF8M
10	Ball		AISI316
11	Seat		PTFE-glass 25%
12	Body Seal		PTFE-glass 25%
13	Screwed End *	A105N	AISI316L
14	Butt Weld End *	A105N	AISI316L
15	Socket Weld End *	A105N	AISI316L
16	Body Bolt	AISI1034	AISI304
17	Body Nut	AISI1034	AISI304
18	Stud	AISI1034	AISI304

* Serie 17i66 DN 20 vent. / 15 int. / 15 vent. / 10 int. / 8 int. CF3M