



KDL/E cable entry system



2005



KDL/E cable entry system

Advantages



Safe and easy cable entry

The KDL/E cable entry system substantially reduces assembly times for pre-assembled cables with diameters between 3 and 31 mm.

The cable entry system can be configured with up to 20 cables.

Cables with plugs no longer need to be dismantled. They can be routed into the housing directly and without interruption.

Standardised cut-outs can be used (e.g. Harting, Wieland, Rittal).

A clever latching system makes assembly, disassembly and subsequent configuration of the cable entry system intuitively easy.

Grommets can be obtained in different sizes, for several cables, for cable protection conduits and for ASI cables.

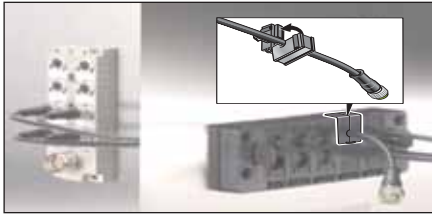


Advantages:

- Easy entry of pre-assembled cable connectors
- Huge time savings thanks to interruption-free cable guidance
- Rapid assembly
- Simple strain relief
- High degree of protection (IP 54)
- High packing density

KDL/E cable entry system

Advantages



Interruption-free cable infeed

Cables for data, control, bus and test signals as well as pre-assembled cables can be routed into the housing free of interruptions. Introduction of control and conduit cables with attached connectors providing for quick disconnection (system integrity remains valid).



Fast and easy assembly

The split grommet is positioned about the cable and simply inserted into the KDL/E frame. KDL/Es are configured entirely without tools.



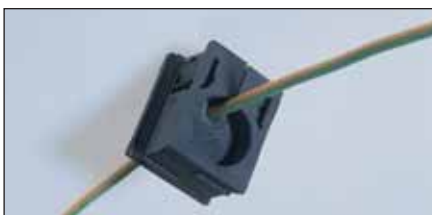
Strain relief

For additional strain relief, cables can be secured with cable ties thanks to fixing lugs moulded to grommets.



Click and bolt system

There are two fastening versions for the KDL/E system. With the click system, the KDL/E is simply latched to the standard cut-out by two snap hooks. The snap hooks can be used for plate thickness of 0.06 - 0.08". Alternatively, the KDL/E can be fastened with four bolts in cases of extremely high mechanical stress.



Vario grommet

The Vario grommet has a flexible membrane. This membrane allows different cable diameters to be routed through a Vario grommet. Only 2 versions of the Vario grommet are required to route cables with a diameter ranging from 0.11" to 0.39".



Adapted to standard cut-outs

The fixing dimensions have been adapted to suit standard connector cut-outs for sizes 16 and 24 (e.g. Wieland, Harting and Rittal).



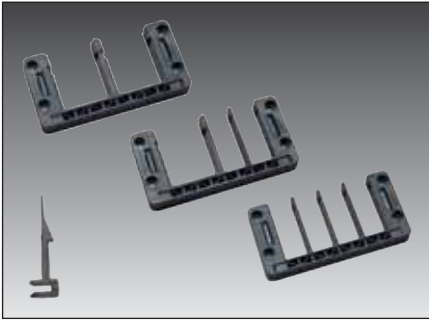
High packing density

The KDL/E system can route up to 20 cables into a control cabinet for a standard connector cut-out for size 24 connectors. An optimal use of space, indeed.



KDL/E cable entry system

Cable entry system, type KDL/E 16



KDL/E 16/x



KDL/AB 16/x-EMV

The KDL/E represents the ongoing further advancement of third generation Murrplastik cable entry systems.

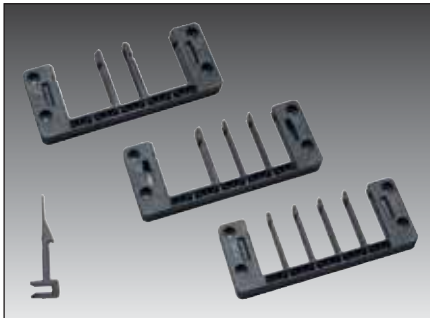
- Even faster assembly of pre-assembled cables.
- Further reduced installation time of the entire KDL/E on standard cut-outs for 16-pin connectors (e.g. Harting, Wieland and Rittal) by way of catch hooks.
- Screwing on is no longer absolutely necessary.
- Variable grommets with a larger clamping range (Vario grommets) translate into fewer grommet sizes required.

The KDL/AB discharge plate, in conjunction with the KDL/E, is suited for discharging interference which may occur on cable sheaths. The discharge plate is mounted on the inside of the control cabinet.

Type	Order no.	Color	No. of openings small / large	No. of discharges	Installation height inch	Pack
KDL/E 16/2	87121010	Black	- / 2		0.61	1
KDL/E 16/5	87121012	Black	4 / 1		0.61	1
KDL/E 16/8	87121014	Black	8 / -		0.61	1
Catch hook (replcm. part)	8712102000	Black				1
Fitting marked label						
KS-KDL/E	86421090	White				100
EMC discharge plate						
KDL/AB 16/2-EMV	87252410			2		1
KDL/N-AB 16/5-EMV OT	87252420			3		1
KDL/N-AB 16/5-EMV UT	87252422			2		1
KDL/N-AB 16/8-EMV	87252424			4		1

KDL/E cable entry system

Cable entry system, type KDL/E 24



KDL/E 24/x



KDL/AB 24/x-EMV

The KDL/E represents the ongoing further advancement of third generation Murrplastik cable entry systems.

- Even faster assembly of pre-assembled cables.
- Further reduced installation time of the entire KDL/E on standard cut-outs for 24-pin connectors (e.g. Harting, Wieland and Rittal) by way of catch hooks.
- Screwing on is no longer absolutely necessary.
- Variable grommets with a larger clamping range (Vario grommets) translate into fewer grommet sizes required.

The KDL/AB discharge plate, in conjunction with the KDL/E, is suited for discharging interference which may occur on cable sheaths. The discharge plate is mounted on the inside of the control cabinet.

Type	Order no.	Color	No. of openings small / large	No. of discharges	Installation height inch	Pack
KDL/E 24/4	87121016	Black	2 / 2		0.61	1
KDL/E 24/7	87121018	Black	6 / 1		0.61	1
KDL/E 24/10	87121020	Black	10 / -		0.61	1
Catch hook (replcm. part)	8712102000	Black				1
Fitting marked label KS-KDL/E	86421090	White				100
Fitting adapter plates KDP 24/AP/xx for the assembly of multiple KDL/E 24 in standardised cut-outs (Rittal/Lohmeier/Ensto) See cable entry and cable holding systems catalogue						
EMC discharge plate						
KDL/N-AB 24/4-EMV OT	87252426			3		1
KDL/N-AB 24/4-EMV UT	87252428			1		1
KDL/N-AB 24/7-EMV OT	87252430			4		1
KDL/N-AB 24/7-EMV UT	87252432			3		1
KDL/N-AB 24/10-EMV OT	87252434			5		1
KDL/N-AB 24/10-EMV UT	87252436			5		1



KDL/E cable entry system

Cable entry grommets, type KDT/xE



Standard grommets



Special grommets

In conjunction with the KDL/E cable entry system, the KDT/xE cable entry grommet can be used to easily route pre-assembled cables e.g. in control cabinets. The grommet is 2-pce. and is positioned about the cable. The grommets are equipped with catch hooks which anchor themselves in the KDL/E when positioning.

Strain relief for type KDT/ZE is achieved using a simple cable tie. Type KDT/VE is a Vario grommet without strain relief which covers a larger clamping range.

Type	Order no.	Color	For Ø inch	For entry small / large	Pack
KDT/ZE 03	87121210	Black	0.11 - 0.15	● / -	10
KDT/ZE 04	87121212	Black	0.15 - 0.19	● / -	10
KDT/ZE 05	87121214	Black	0.19 - 0.23	● / -	10
KDT/ZE 06	87121216	Black	0.23 - 0.27	● / -	10
KDT/ZE 07	87121218	Black	0.27 - 0.31	● / -	10
KDT/ZE 08	87121220	Black	0.31 - 0.35	● / -	10
KDT/ZE 09	87121222	Black	0.35 - 0.39	● / -	10
KDT/ZE 10	87121224	Black	0.39 - 0.43	● / -	10
KDT/ZE 11	87121226	Black	0.43 - 0.47	● / -	10
KDT/ZE 12	87121228	Black	0.47 - 0.51	● / -	10
KDT/ZE 13	87121230	Black	0.51 - 0.55	● / -	10
KDT/ZE 14	87121232	Black	0.55 - 0.59	● / -	10
KDT/ZE 15	87121234	Black	0.59 - 0.62	● / -	10
KDT/ZE 16	87121236	Black	0.62 - 0.66	- / ●	10
KDT/ZE 17	87121238	Black	0.66 - 0.70	- / ●	10
KDT/ZE 18	87121240	Black	0.70 - 0.74	- / ●	10
KDT/ZE 19	87121242	Black	0.74 - 0.78	- / ●	10
KDT/ZE 20	87121244	Black	0.78 - 0.82	- / ●	10
KDT/ZE 21	87121246	Black	0.82 - 0.86	- / ●	10
KDT/ZE 22	87121248	Black	0.86 - 0.90	- / ●	10
KDT/ZE 23	87121250	Black	0.90 - 0.94	- / ●	10
KDT/ZE 24	87121252	Black	0.94 - 0.98	- / ●	10
KDT/ZE 25	87121254	Black	0.98 - 1.02	- / ●	10
KDT/ZE 26	87121256	Black	1.02 - 1.06	- / ●	10
KDT/ZE 27	87121258	Black	1.06 - 1.10	- / ●	10
KDT/ZE 28	87121260	Black	1.10 - 1.14	- / ●	10

KDL/E cable entry system

Cable entry grommets, type KDT/xE

Type	Order no.	Color	For Ø inch	For entry small / large	Pack
KDT/ZE 29	87121262	Black	1.14 - 1.18	- / ●	10
KDT/ZE 30	87121264	Black	1.18 - 1.22	- / ●	10
Variable cable grommet					
KDT/VE 3-8	87121272	Black	0.11 - 0.31	● / -	10
KDT/VE 7-10	87121274	Black	0.27 - 0.39	● / -	10
Double cable grommet					
KDT/ZE 2x4	87121284	Black	2 x 0.15	● / -	10
KDT/ZE 2x5	87121286	Black	2 x 0.19	● / -	10
KDT/ZE 2x6	87121288	Black	2 x 0.23	● / -	10
ASI grommet					
KDT/ZE 2xASI	87121280	Black	ASI cable	● / -	10
KDT/ZE ASI	87121282	Black	ASI cable	● / -	10
Adapter grommet					
ATG/E	87121268	Black	Adapter for small grommet	- / ●	
Conduit grommet					
SDT/ZE 07	87174250	Black		● / -	10
SDT/ZE 09	87174252	Black		● / -	10
SDT/ZE 11	87174254	Black		● / -	10
SDT/ZE 16	87174256	Black		- / ●	10
SDT/ZE 21	87174258	Black		- / ●	10
SDT/ZE EWT 10	87174220	Black		● / -	10
SDT/ZE EWT 14	87174222	Black		- / ●	10
SDT/ZE EWT 20	87174224	Black		- / ●	10
Dummy grommet					
BTK/E	87121266	Black	Dummy grommet, small	● / -	10
BTG/E	87121270	Black	Dummy grommet, large	- / ●	10



KDL/E cable entry system

Blanking plate, type BP/x



BP/N

The BP/N blanking plate is used for sealing prepared but unused standard cut-outs for 24-pin connectors (e.g. Harting, Wieland and Rittal). For clip action fastening or screwing in place. IP 65 protection rating as per DIN 60529.



BP/H

The BP/H blanking plate also is used for sealing prepared but unused standard cut-outs for 24-pin connectors (e.g. Harting, Wieland and Rittal). Assembly is via clip action. IP 42 protection rating as per DIN 60529.

Type	Order no.	Color	Installation height inch	Pack
BP/N 24	87171624	Black	0.61	1
BP/H 24	87171626	Black	0.19	1

KDL/E cable entry system

Comparison of KDL/N to KDL/E

The KDL/N cable entry system and related accessories will be replaced by the new KDL/E series. Using the following list, you can transfer the KDL/N components over to the new KDL/E components.

KDL/N frame	Article number	KDL/E frame	Article number
KDL/N 16/2	87173008	KDL/E 16/2	87121010
KDL/N 16/4	87173010	KDL/E 16/5 + BTG/E	87121012 + 87121270
KDL/N 16/5	87173012	KDL/E 16/5	87121012
KDL/N 16/8	87173013	KDL/E 16/8	87121014
KDL/N 24/4	87173014	KDL/E 24/4	87121016
KDL/N 24/5	87173015	KDL/E 24/10 + 5 pcs. BTK/E	87121016 + 5 pcs. 87121266
KDL/N 24/7	87173016	KDL/E 24/7	87121018
KDL/N 24/10	87173018	KDL/E 24/10	87121020
KDL/N 16/4-EMV	87173020	KDL/E 16/5 + BTG/E + discharge plates KDL/N-AB 16/5-EMV OT and UT	87121012 + 87121270 + 87252420 + 87252422
KDL/N 16/5-EMV	87173022	KDL/E 16/5 + discharge plates KDL/N-AB 16/5-EMV OT and UT	87121012 + 87252420 + 87252423
KDL/N 16/8-EMV	87173023	KDL/E 16/8 + 2 pcs. discharge plates KDL/N-AB 16/8-EMV	87121014 + 2 pcs. 87252424
KDL/N 24/4-EMV	87173024	KDL/E 24/4 + discharge plates KDL/N-AB 24/4-EMV OT and UT	87121016 + 87252426 + 87252428
KDL/N 24/5-EMV	87173025	KDL/E 24/10 + 5 pcs. BTK/E + discharge plates KDL/N-AB 24/10-EMV OT	87121016 + 5 pcs. 87121266 + 87252434
KDL/N 24/7-EMV	87173026	KDL/E 24/7 + discharge plates KDL/N-AB 24/7-EMV OT and UT	87121018 + 87252430 + 87252432
KDL/N 24/10-EMV	87173028	KDL/E 24/10 + discharge plates KDL/N-AB 24/10-EMV OT and UT	87121020 + 87252434 + 87252436
KDL/N small grommets	Article number	KDL/E small grommets	Article number
KDT/ZN 03	87172612	KDT/ZE 03	87121210
KDT/ZN 04	87172614	KDT/ZE 04	87121212
KDT/ZN 05	87172616	KDT/ZE 05	87121214
KDT/ZN 06	87172618	KDT/ZE 06	87121216
KDT/ZN 07	87172620	KDT/ZE 07	87121218
KDT/ZN 08	87172622	KDT/ZE 08	87121220
KDT/ZN 09	87172624	KDT/ZE 09	87121222
KDT/ZN 10	87172626	KDT/ZE 10	87121224
KDT/ZN 11	87172628	KDT/ZE 11	87121226
KDT/ZN 12	87172630	KDT/ZE 12	87121228
KDT/ZN 13	87172632	KDT/ZE 13	87121230
KDT/ZN 14	87172634	KDT/ZE 14	87121232
KDT/ZN 15 K	87172636	KDT/ZE 15	87121234
BTK/N (dummy grommet)	87172610	BTK/E (dummy grommet)	87121266
		KDT/VE 3-8 Vario grommet	87121272
		KDT/VE 7-10 Vario grommet	87121274
KDT/ZN 2x4,0	87175431	KDT/ZE 2x4,0 double grommet	87121284
KDT/ZN 2x5,0	87175438	KDT/ZE 2x5,0 double grommet	87121286
KDT/ZN 2x6,0	87175432	KDT/ZE 2x6,0 double grommet	87121288
KDT/ZN 2xASI	87175430	KDT/ZE 2xASI	87121280
KDT/ZN ASI	87175434	KDT/ZE ASI	87121282
SDT/ZN EWT10	87175470	SDT/ZE EWT10	87174220
SDT/ZN 07	87175450	SDT/ZE 07	87174250
SDT/ZN 09	87175452	SDT/ZE 09	87174252
SDT/ZN 11	87175454	SDT/ZE 11	87174254
KDL/N large grommets	Article number	KDL/E large grommets	Article number
KDT/ZN 16	87172812	KDT/ZE 16	87121236
KDT/ZN 17	87172814	KDT/ZE 17	87121238
KDT/ZN 18	87172816	KDT/ZE 18	87121240
KDT/ZN 19	87172818	KDT/ZE 19	87121242
KDT/ZN 20	87172820	KDT/ZE 20	87121244
KDT/ZN 21	87172822	KDT/ZE 21	87121246
KDT/ZN 22	87172824	KDT/ZE 22	87121248
KDT/ZN 23	87172826	KDT/ZE 23	87121250
KDT/ZN 24	87172828	KDT/ZE 24	87121252
KDT/ZN 25	87172830	KDT/ZE 25	87121254
KDT/ZN 26	87172832	KDT/ZE 26	87121256
KDT/ZN 27	87172834	KDT/ZE 27	87121258
KDT/ZN 28	87172836	KDT/ZE 28	87121260
KDT/ZN 29	87172838	KDT/ZE 29	87121262
KDT/ZN 30	87172840	KDT/ZE 30	87121264
BTG/N32 (dummy grommet)	87172810	BTG/E (dummy grommet)	87121270
ATG/N (adapter grommet)	87175436	ATG/E (adapter grommet)	87121268
SDT/ZN EWT14	87175472	SDT/ZE EWT14	87174222
SDT/ZN EWT20	87175474	SDT/ZE EWT20	87172224
SDT/ZN 16	87175456	SDT/ZE 16	87174256
SDT/ZN 21	87175458	SDT/ZE 21	87174258

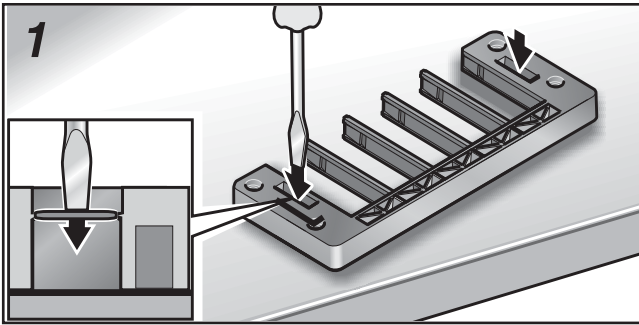
There is no direct comparison type available for all KDL/N series articles not listed here.

If you have any questions, please feel free to contact our support staff by e-mail at kdle@murrplastik.de.

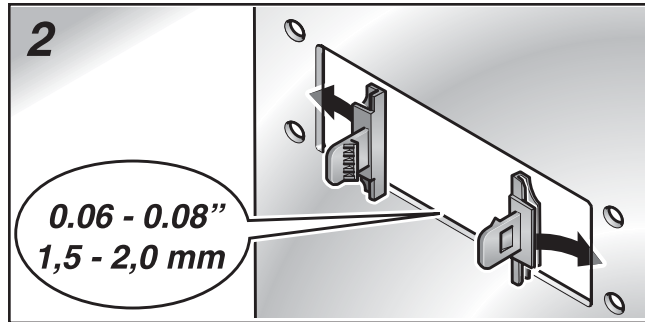


KDL/E cable entry system

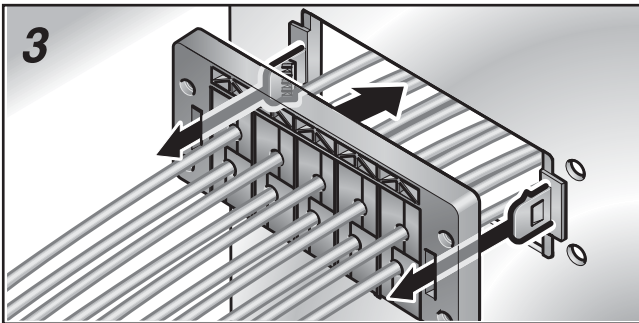
Snap-on mount assembly instructions (for plate thickness 0.06 - 0.08")



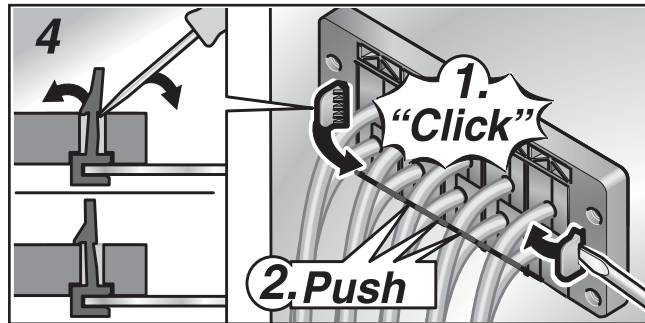
1
Pierce two square membranes with a screwdriver.



2
Connect the snap hooks included in the scope of delivery to the plate.

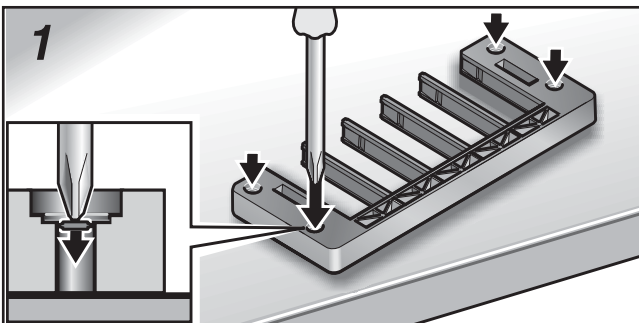


3
Connect fully configured frame to the snap hooks. Ideally, open frame side in the direction of the cables to be routed.

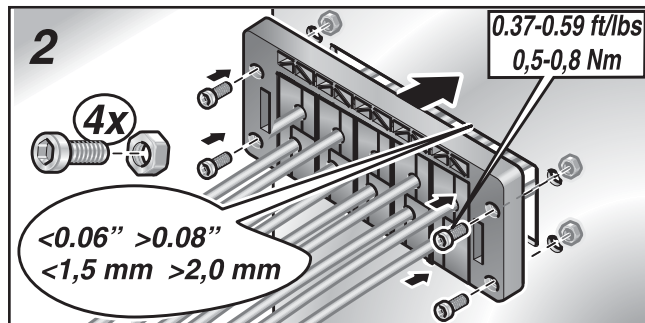


4
Pry up the snap hooks with a screwdriver until an audible "click" can be heard. Quickly press on grommets.

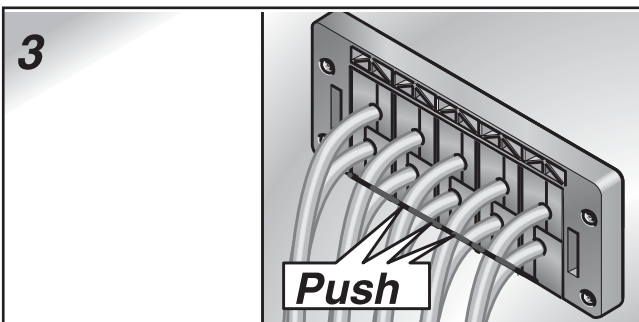
Screw fastening assembly instructions (for plate thickness < 1.5 mm / > 2.0 mm)



1
Pierce four round membranes with a screwdriver.



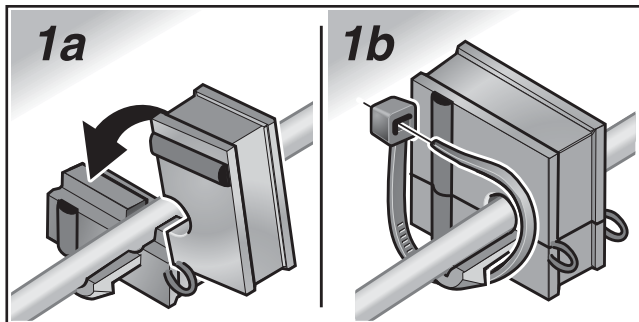
2
Secure fully configured frame with 4 screws (M5).



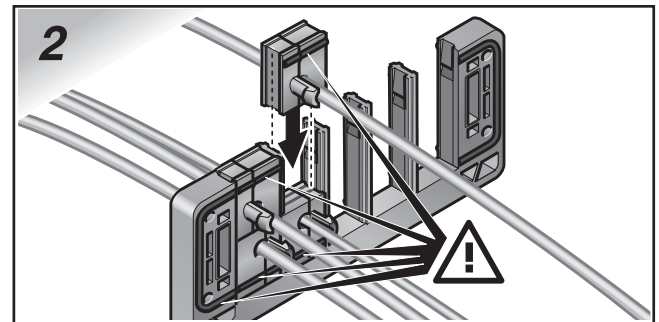
3
Press on grommets at the marked position. Ideally, open frame side in the direction of the cables to be routed.

KDL/E cable entry system

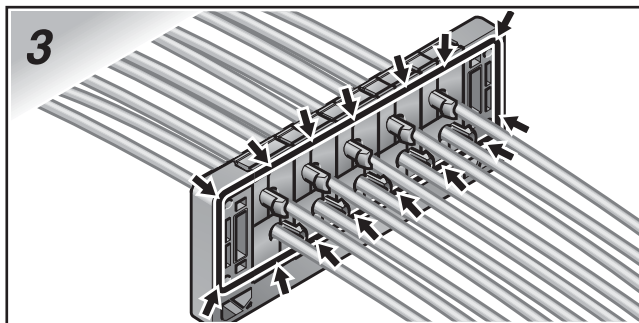
Grommet assembly



Route cable, close grommet and attach a cable tie around the strain relief lug if necessary.

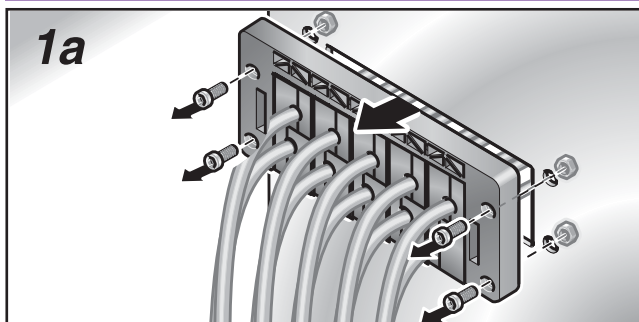


When connecting the grommets, ensure that the sealing lip is at the correct position.

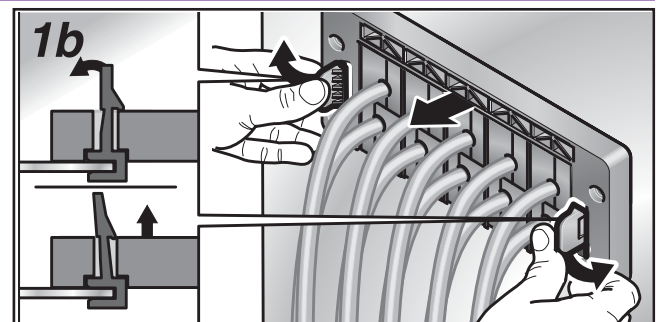


A fully configured KDL/E must have a continuous seal.

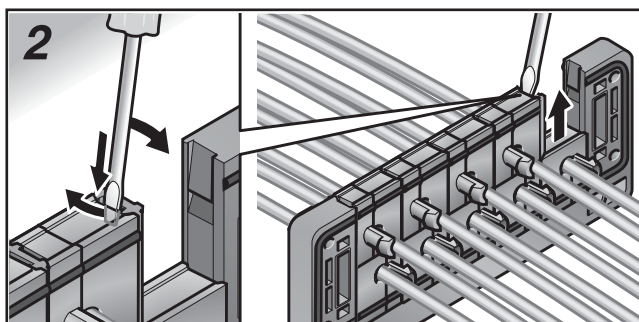
Disassembly of frame/grommets



Remove screws and detach KDL/E. Remove grommets only after detaching the KDL/E.



Press catch hooks outward by hand and detach KDL/E. Remove grommets only after detaching the KDL/E.



Loosen grommets out of their anchoring on both sides with a screwdriver. Remove grommets from the unit by hand.



Head Office

Germany

Murrplastik Systemtechnik GmbH
Postfach 1143
D- 71567 Oppenweiler
Phone: +49 7191 4820
Fax: +49 7191 482 280
www.murrplastik.de
info@murrplastik.de

Switzerland

Murrplastik AG
Ratihard 40
8253 Willisdorf
Phone: +41 52 646 06 46
Fax: +41 52 646 06 40
www.murrplastik.ch
info@murrplastik.ch

France

Murrtechnic S.à.r.l
Zone industrielle Sud, 6 rue Manurhin
B.P. 62, 68120 Richwiller
Phone: +33 389 570 01 0
Fax: +33 389 530 96 6
www.murrtechnic.fr
murrtechnic@murrtechnic.fr

Austria

Murrplastik Systemtechnik GmbH
Phone: +43 732 660 870
Fax: +43 732 660 872
www.murrplastik.at
info@murrplastik.at

Spain

Murrplastik S.L.
Paseo Ubarburu, 76
Pabellón 34, polígono 27
20014 San Sebastián
Phone: +34 943 472 22 5
Fax: +34 943 472 89 5
www.murrplastik.es
info@murrplastik.es

USA

Murrplastik Systems Inc.
2367 North Penn Road
Suite 200
Hatfield, PA 19440
Phone: +1 215 822 7625
Fax: +1 215 822 7626
www.murrplastik.com
cablemgmt@murrplastik.com

China

murrplastik Asia Co., Ltd.
1003 Rm. no. 1
Fuxing zhong Rd.
200021 Shanghai
Phone: +86 21 6390-0501
Fax: +86 21 6390-0508
www.murrplastik.com.cn
info@murrplastik.com.cn