

## ARDAMP®

Natural frequency : (1)  
10 to 25 Hz

### DESCRIPTION

The ARDAMP® series dampers have a spring and piston embedded in high viscosity silicone rubber gel which itself is embedded in an elastomer membrane bonded to the case.

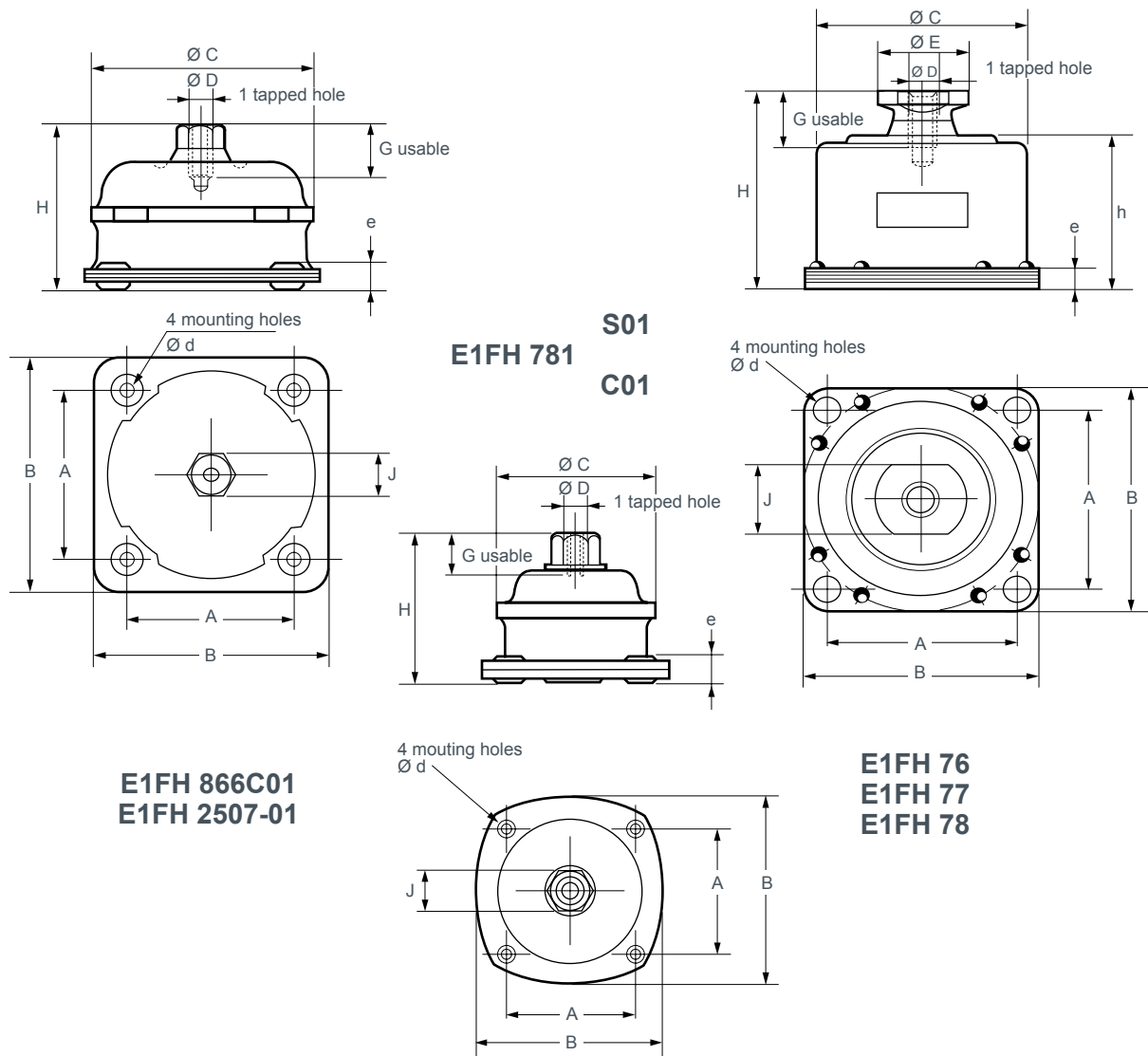
### APPLICATIONS

Due to their high performances and high shock damping capacity ARDAMP® dampers are designed to protect fragile electronic equipment, control panels and measuring instruments on ground vehicles, aircrafts, helicopters, civil and military submersible crafts.

1) the indicated natural frequency, are valid for the maxi loads of the ranges of use quoted in the paragraph : TECHNICAL CHARACTERISTICS.



# DIMENSIONS



Reference	H Unload. (mm)	H approx. under load (mm)	A (mm)	B (mm)	$\varnothing C$ (mm)	D	$\varnothing E$ (mm)	G max. (mm)	J (mm)	$\varnothing d$ (mm)	e (mm)	h (mm)	Weight approx.
E1FH781S01 E1FH781C01	42 43	39 41	35	54	43	M5		10	12	4,5	5,5		120 g
E1FH866C01 E1FH2507-01	47	46	49,2	65,3	61,5	M6		15	12	5,2	5		230 g 215 g
E1FH76-01 E1FH76-02	70 67	66 65	63,5	77	70	M10	30	19	24	8,4	7,2	49	390 g
E1FH77-01	86	82	88	110,5	96	M12	40	24	34	8,4	8,5	62	930 g
E1FH78-01 E1FH78-02	102 98	99 95	107,9	132	117	M16	54	25	44	11	9,5	77,5	1,5 kg



# OPERATING CHARACTERISTICS

Natural frequency :

- axial : 10 to 25 Hz;
- radial : 10 to 20 Hz.

Damping : 20% c/cc (E1FH781, 866, 2507-01);  
17% c/cc (E1FH76, 77, 78).

Amplification factor at resonance : 2.5 to 3 max.

These dampers comply with SEFT 001A, AIR 7304, MIL STD 810 C.

Reference	SEFT 001 A			AIR 7304			MIL STD 810 C		Non standard applications		Shocks and bumps OZ axis	
	Load kg per damper	Axial Fn (Hz)	Radial Fn (Hz)	Load kg per damper	Axial Fn (Hz)	Radial Fn (Hz)	Load kg per damper	Axial Fn (Hz)	Load kg per damper	Radial Fn (Hz)	6 ms 1/2 sine shocks max. input (g)	11 ms 1/2 sinus shocks max. input (g)
<b>E1FH781S01</b> <b>E1FH781C01</b>	-	-	-	0,2 - 2 2 - 5	20 - 25	15 - 20	4	16	1,5 - 3,5 3,5 - 8	10 - 20	70 g	38 g
<b>E1FH866C01</b>	8 - 15	10 - 20	12 - 20	6 - 8	20 - 25	15 - 20	8	20	8 - 15	10 - 20	50 g	27 g
<b>E1FH2507-01</b>	-	-	-	-	-	-	-	-	5 - 8	6 - 10	-	-
<b>E1FH76-01</b> <b>E1FH76-02</b>	14 - 20 18 - 30	10 - 20	12 - 20 11 - 16	7 - 12 9 - 20	20 - 25	15 - 20	14 18	18 17	14 - 20 18 - 30	10 - 20	40 g 55 g	22 g 30 g
<b>E1FH77-01</b>	20 - 50	10 - 20	10 - 17	-	-	-	30	15	20 - 50	10 - 20	50 g	25 g
<b>E1FH78-01</b> <b>E1FH78-02</b>	50 - 100 90 - 130	10 - 20	10 - 16 10 - 15	-	-	-	75 100	10 11	50 - 100 90 - 130	10 - 20	40 g	22g