



- A PART OF ADDTECH GROUP

DATA SHEET

Customer:	
Ref.:	
Order:	
Motor:	
Serial nr:	
Date:	27-10-2017

ASYNCHRONOUS MOTOR 4A2 802-4

Nameplate data:

Code: 116007

Type:	4A2 802-4			IP55	F/B	Amb. temp.: Max. 40°		
kW	Hz	V	A	Rpm	Cos	Eff. 100%	Duty	IE.class
0,75	50	230D	2,99	1430	0,75	79,6%	S1	IE2
0,75	50	400 Y	1,72	1430	0,75	79,6%		
0,90	60	460 Y	1,79	1716	0,75	79,6%		

Description:

Mounting form:	B3/B14
Bearing DE:	6204-2Z/C3
Bearing NDE:	6204-2Z/C3
Weight - Kg.:	13
Heater:	No Heater
PTC:	No PTC
Kgm ² :	0,0021
Sound press.-db(A):	48,0

Other:

Test data S1-duty, Amb.temp 40°C:

Voltage - V:	400
Frequency - Hz:	50
Power - kW:	0,75
Full load speed - Rpm:	1430
Full load current - A:	1,72
Full load power factor - Cos:	0,75
Locked rotor current - A:	11,2
Locked rotor factor - A _{st} /A _n :	6,5

Efficiency 100% load - %:	79,6%
Efficiency 75% load - %:	80,3%
Efficiency 50% load - %:	79,2%
Full load torque - Nm:	5,0
Locked rotor torque - Nm:	11,5
Locked rotor torque - Nm _{st} /Nm _n :	2,3
Max. Pull out torque - Nm:	11,5
Max. Pull out torque. - Nm _{st} /Nm _n :	2,3

Over load/speed test	kW	Hz	V	A	Rpm
Over load 160% - 15sec.	1,20	50	400	2,75	1430
Over speed 125% - 2 min.	0,75	63	400	1,72	1788
H-Pot test voltage: 1800V			Temp. rise in stator:		

The motor is produced in accordance with following harmonized standards:

IEC60034-1, IEC60034-2, IEC60034-5, IEC60034-6, IEC60034-7, IEC60034-8, IEC60034-9
IEC60034-12, IEC60034-14, IEC60034-30, IEC60072.

Additional specifications in accordance with:

RINA - GL - LRS - BV - DNV - ABS - KR - RR - CCS - CCC - RMRS.

Bevi Group:

BEVI AB, Sweden	www.bevi.se	sales@bevi.se	+46 499 271 00
BEVI Nord AB, Sweden	www.bevi.se	bevinord@bevi.se	+46 90 70 44 30
BEVI A/S, Denmark	www.bevi.dk	bevi@bevi.dk	+45 39 67 36 05
BEVI Norge A/S, Norway	www.bevi.no	info@bevi.no	+47 22 07 66 50
BEVI Finland OY AB, Finland	www.bevi.fi	info@bevi.fi	+358 9 2709 1210
BEVI Est Oü, Estonia	www.bevi.ee	bevi@bevi.ee	+372 6828 755
BEVI UAB, Lithuania	www.bevi.lt	info@bevi.lt	+370 5 2611 112
BEVI CHINA, China	www.bevi.cn	sales@bevi.cn	+86 21 5032 5200

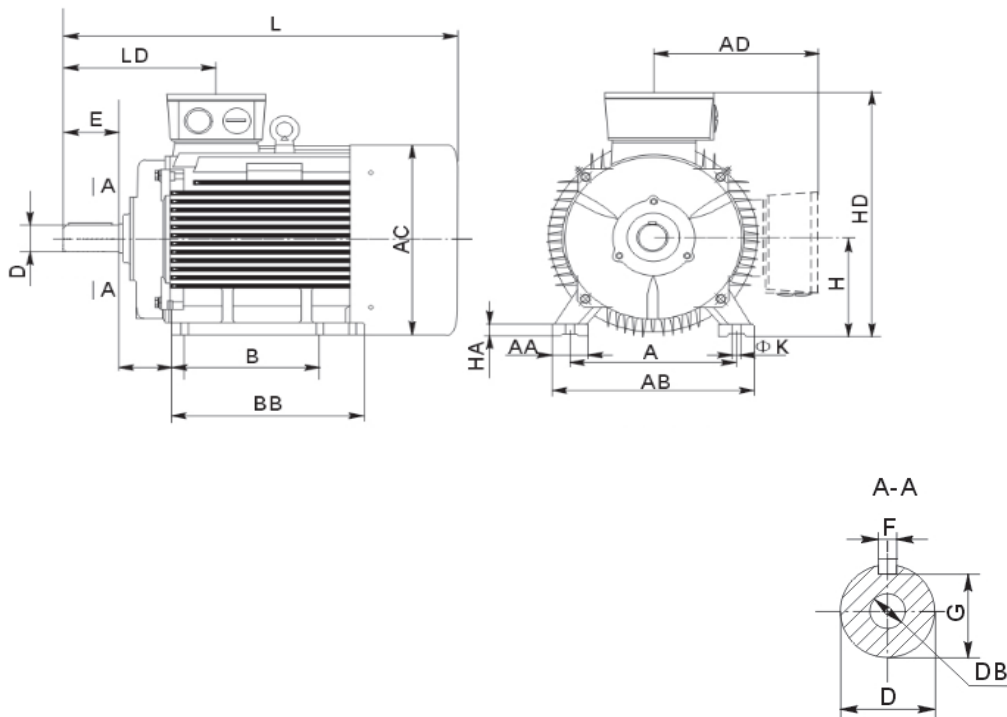


- A PART OF ADDTECH GROUP

DATA SHEET

Customer:	
Ref.:	
Order:	
Motor:	
Serial nr:	
Date:	27-10-2017

Foot mounted motor 4A2 802-4 B3



A: 125	HD: 217	E: 40
B: 100	C: 50	D: 19
AB: 153	H: 80	G: 15,5
AC: 167	K: 10	DB: M6
AD: 138	L: 300	F: 6
	L (V1): 350	

Bevi Group:

BEVI AB, Sweden
 BEVI Nord AB, Sweden
 BEVI A/S, Denmark
 BEVI Norge A/S, Norway
 BEVI Finland OY AB, Finland
 BEVI Est Oü, Estonia
 BEVI UAB, Lithuania
 BEVI CHINA, China

www.bevi.se
 www.bevi.se
 www.bevi.dk
 www.bevi.no
 www.bevi.fi
 www.bevi.ee
 www.bevi.lt
 www.bevi.cn

sales@bevi.se
 bevinord@bevi.se
 bevi@bevi.dk
 info@bevi.no
 info@bevi.fi
 bevi@bevi.ee
 info@bevi.lt
 sales@bevi.cn

+46 499 271 00
 +46 90 70 44 30
 +45 39 67 36 05
 +47 22 07 66 50
 +358 9 2709 1210
 +372 6828 755
 +370 5 2611 112
 +86 21 5032 5200

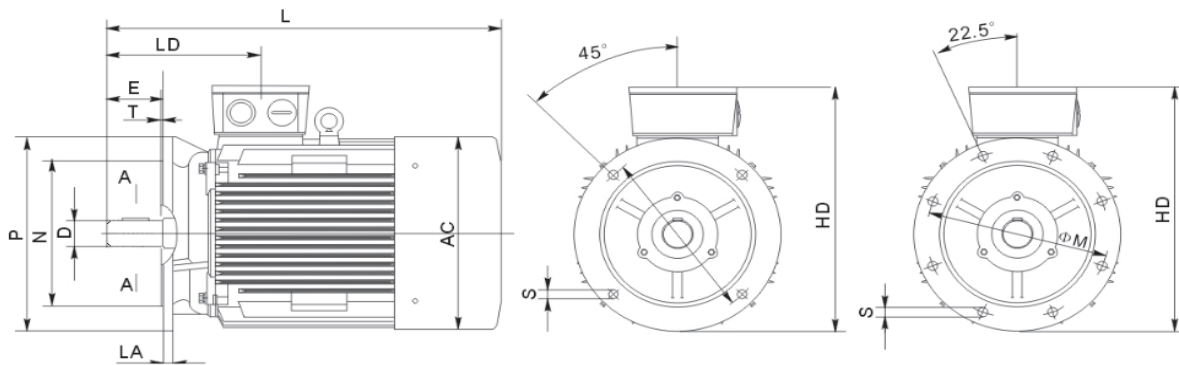


- A PART OF ADDTECH GROUP

DATA SHEET

Customer:	
Ref.:	
Order:	
Motor:	
Serial nr:	
Date:	27-10-2017

Flange mounted motor 4A2 802-4 B5 (V1)



M: 165	HD: 217	E: 40
N: 130	L: 300	D: 19
P: 200	L (V1): 350	G: 15,5
S: 12		DB: M6
		F: 6

Bevi Group:

BEVI AB, Sweden
 BEVI Nord AB, Sweden
 BEVI A/S, Denmark
 BEVI Norge A/S, Norway
 BEVI Finland OY AB, Finland
 BEVI Est Oü, Estonia
 BEVI UAB, Lithuania
 BEVI CHINA, China

www.bevi.se
www.bevi.se
www.bevi.dk
www.bevi.no
www.bevi.fi
www.bevi.ee
www.bevi.lt
www.bevi.cn

sales@bevi.se
bevinord@bevi.se
bevi@bevi.dk
info@bevi.no
info@bevi.fi
bevi@bevi.ee
info@bevi.lt
sales@bevi.cn

+46 499 271 00
 +46 90 70 44 30
 +45 39 67 36 05
 +47 22 07 66 50
 +358 9 2709 1210
 +372 6828 755
 +370 5 2611 112
 +86 21 5032 5200

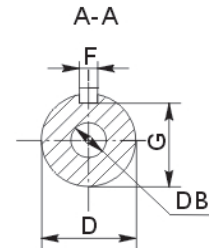
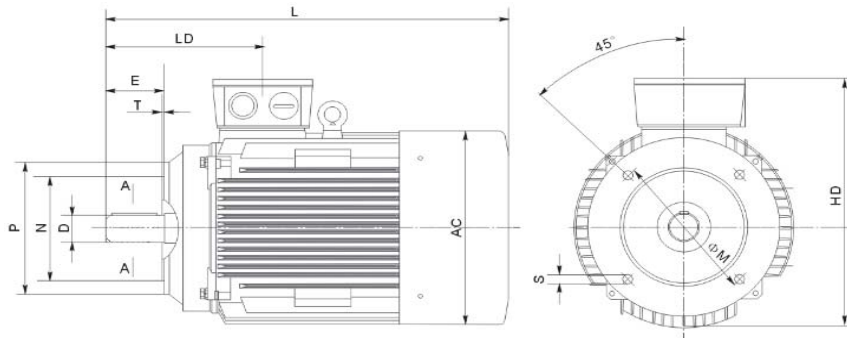


- A PART OF ADDTECH GROUP

DATA SHEET

Customer:	
Ref.:	
Order:	
Motor:	
Serial nr:	
Date:	27-10-2017

Flange mounted motor B14A & B14B



Flange type: B14A
M: 100
N: 80
P: 120
S: M6

B14B
130
110
160
M8

HD: 217	E: 40
L: 300	D: 19
L (V1): 350	G: 15,5
	DB: M6
	F: 6

Bevi Group:

BEVI AB, Sweden
BEVI Nord AB, Sweden
BEVI A/S, Denmark
BEVI Norge A/S, Norway
BEVI Finland OY AB, Finland
BEVI Est Oü, Estonia
BEVI UAB, Lithuania
BEVI CHINA, China

www.bevi.se
www.bevi.se
www.bevi.dk
www.bevi.no
www.bevi.fi
www.bevi.ee
www.bevi.lt
www.bevi.cn

sales@bevi.se
bevinord@bevi.se
bevi@bevi.dk
info@bevi.no
info@bevi.fi
bevi@bevi.ee
info@bevi.lt
sales@bevi.cn

+46 499 271 00
+46 90 70 44 30
+45 39 67 36 05
+47 22 07 66 50
+358 9 2709 1210
+372 6828 755
+370 5 2611 112
+86 21 5032 5200

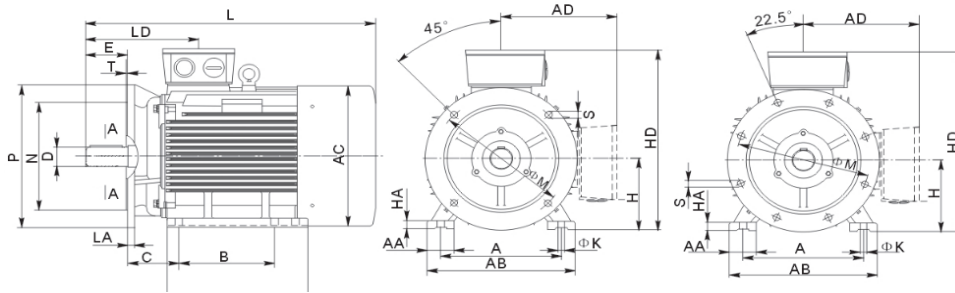


- A PART OF ADDTECH GROUP

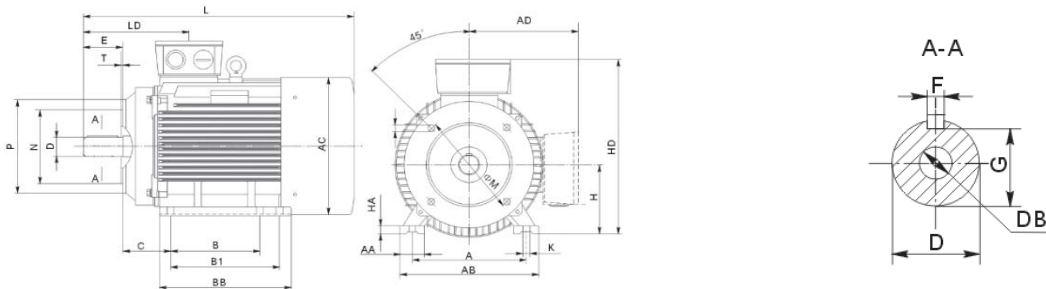
DATA SHEET

Customer:	
Ref.:	
Order:	
Motor:	
Serial nr:	
Date:	27-10-2017

Foot & flange mounted motor B3/B5



B3/B14A & B3/B14B



Flange type: B5

M: 165
N: 130
P: 200
S: 12

A: 125
B: 100
AB: 153
AC: 167
AD: 138

B14A

M: 100
N: 80
P: 120
S: M6

HD: 217
C: 50
H: 80
K: 10
L: 300

B14B

M: 130
N: 110
P: 160
S: M8

E: 40
D: 19
G: 15,5
DB: M6
F: 6

L (V1): 350

Bevi Group:

BEVI AB, Sweden
BEVI Nord AB, Sweden
BEVI A/S, Denmark
BEVI Norge A/S, Norway
BEVI Finland OY AB, Finland
BEVI Est Oü, Estonia
BEVI UAB, Lithuania
BEVI CHINA, China

www.bevi.se
www.bevi.se
www.bevi.dk
www.bevi.no
www.bevi.fi
www.bevi.ee
www.bevi.lt
www.bevi.cn

sales@bevi.se
bevinord@bevi.se
bevi@bevi.dk
info@bevi.no
info@bevi.fi
bevi@bevi.ee
info@bevi.lt
sales@bevi.cn

+46 499 271 00
+46 90 70 44 30
+45 39 67 36 05
+47 22 07 66 50
+358 9 2709 1210
+372 6828 755
+370 5 2611 112
+86 21 5032 5200