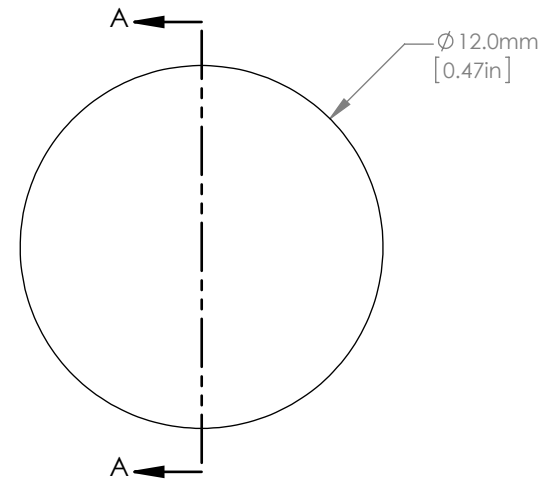
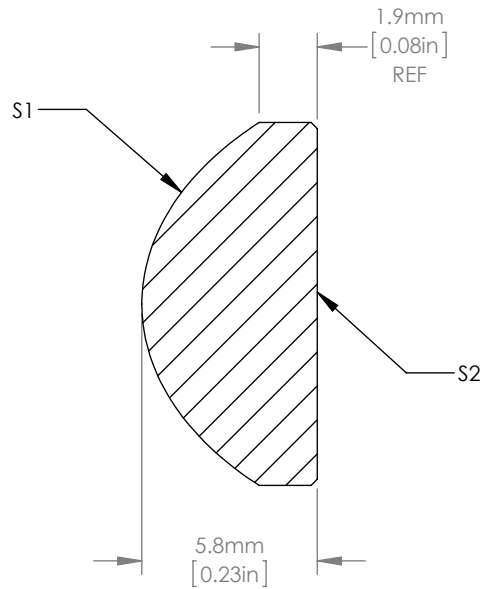


ASPHERIC COEFFICIENTS

	R	k	A ₄
S1	5.492	-0.6230	8.7E-05
S2	PLANO	-	-

ASPHERIC LENS EQUATION

$$z = \frac{Y^2}{R(1 + \sqrt{1 - (1 + k)Y^2 / R^2})} + A_4 Y^4$$



NOTES/SPECIFICATIONS

1. FOCAL LENGTH: EFL= 10.5±8%
2. NUMERICAL APERTURE: 0.54
3. BACK FOCAL LENGTH (REF): 7mm
4. MAGNIFICATION: INFINITE
5. SURFACE QUALITY: 80-50 SCRATCH-DIG
6. CENTRATION: <30 arcmin
7. CLEAR APERTURE: >10.8mm
8. COATING (S1, S2): BBAR Ravg<0.5% FROM 350-700nm
9. MAXIMUM TEMPERATURE: 250°C (482°F)

FOR INFORMATION ONLY
NOT FOR MANUFACTURING PURPOSES

DRAWING PROJECTION			 www.thorlabs.com ASPHERIC CONDENSER LENS, NA=0.54, f=10.5mm, AR COATED 350-700nm	
DRAWN	DS	DATE		
APPROVAL	DD	DATE	05/JAN/15	MATERIAL
COPYRIGHT © 2015 BY THORLABS VALUES IN PARENTHESIS ARE CALCULATED AND MAY CONTAIN ROUND OFF ERRORS				B270 ITEM # ACL1210U-A
				APPROX WEIGHT 1.1g REV A