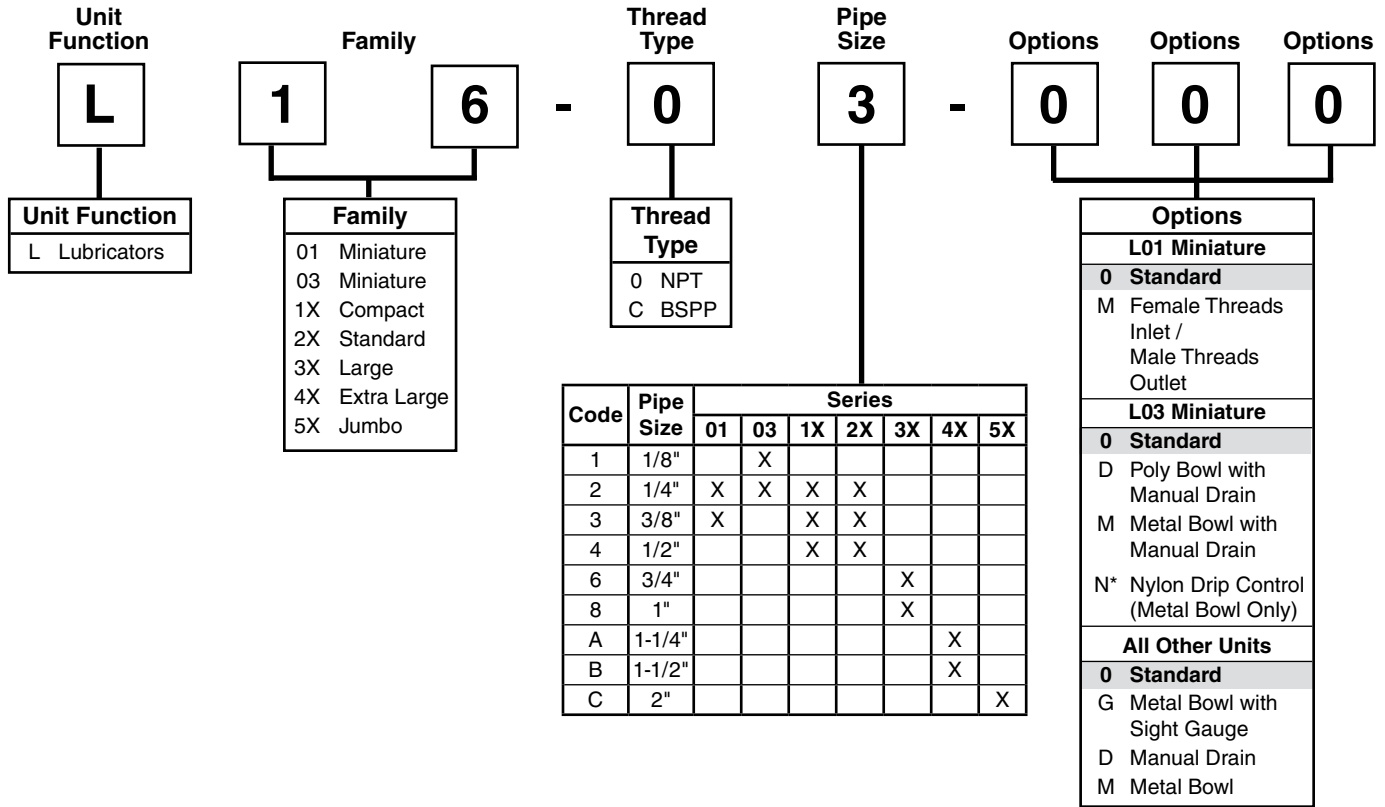


Lubricator Numbering System

 = "Most Popular"



Code	Pipe Size	Series						
		01	03	1X	2X	3X	4X	5X
1	1/8"		X					
2	1/4"	X	X	X	X			
3	3/8"	X		X	X			
4	1/2"			X	X			
6	3/4"					X		
8	1"					X		
A	1-1/4"						X	
B	1-1/2"						X	
C	2"							X

* Available only with Metal Bowl "M".

Note: When selecting from the options columns, please enter letters in alphabetical order for positions 6, 7, and 8. For example:

L16-03-0 0 0



Lubricator

L26 EconOmist™

L27 AtoMist™

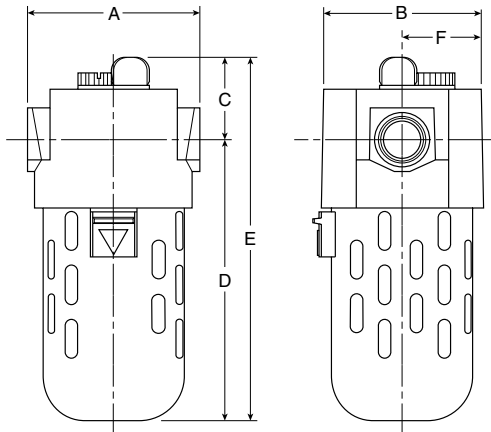
= "Most Popular"



L26 / L27-02-000

Features

- L26 Model can be Filled with Lubricant while Under Pressure (L27 AtoMist™ cannot be Filled Under Pressure)
- Siphon Tube Filter Provides Clean Lubricant Downstream
- Quick-Disconnect Bowl Guard with Integral Plastic Bowl and Safety Latch
- Adjustable Oil Feed
- Optional Petcock Drain in Polycarbonate Bowl



Dimensions

Models	Inches (mm)	A	B	C	D	E	F
Standard Unit L26-XX-000 & L27-XX-000		3.35 (85)	3.06 (78)	1.60 (41)	5.46 (139)	7.06 (179)	1.53 (38.9)
Manual Drain L26-XX-D00 & L27-XX-D00		3.35 (85)	3.06 (78)	1.60 (41)	6.42 (163)	7.76 (197)	1.53 (38.9)
Metal Bowl with Sight Gauge L26-XX-G00 & L27-XX-G00		3.35 (85)	3.06 (78)	1.60 (41)	6.42 (163)	7.80 (198)	1.53 (38.9)

Specifications

Flow Capacity*	1/4	35 SCFM (16.5 dm ³ /s)
	3/8	60 SCFM (28.3 dm ³ /s)
	1/2	128 SCFM (60.4 dm ³ /s)
Maximum Supply Pressure	Plastic Bowl	150 PSIG (10.3 bar)
	Metal Bowl	200 PSIG (13.8 bar)
Operating Temperature	Plastic Bowl	32° to 125°F (0° to 52°C)
	Metal Bowl	32° to 150°F (0° to 65.5°C)
Port Size	NPT / BSPP-G	1/4, 3/8, 1/2
Useful Retention**	oz. (cm ³)	L26 10 (296)
	oz. (cm ³)	L27 6.6 (194)
Weight	lb. (kg)	2.4 (1.07)

* Inlet pressure 150 PSIG (10.3 bar). Pressure drop 5 PSID (0.3 bar).

** Useful retention refers to usable volume.

Materials of Construction

Body		Zinc
Bowls	Plastic Bowl	Polycarbonate
	Metal Bowl	Zinc
Seals	Plastic Bowl	Nitrile
	Metal Bowl	Fluorocarbon
Sight Gauge	Metal Bowl	Nylon
Sight Dome		Nylon
Suggested Lubricant		Airline Oil F442001

 = "Most Popular"

Replacement Bowl Kits

Metal Bowl / Sight Gauge, Brass Petcock Drain.... GRP-95-931

Plastic Bowl –

No Drain Port.....LRP-96-938

Plastic Petcock Drain.....LRP-95-958

Plastic Bowl / Guard, Brass Petcock Drain.....LRP-95-967

Replacement Kits

Fill Plug Kit – Fill Plug and O-ringLRP-95-253

Flow Guide –

1/4 NPT / BSPP-G, L26LRP-95-241

3/8 NPT / BSPP-G, L26LRP-95-242

1/2 NPT / BSPP-G, L26.....LRP-95-243

1/4 NPT / BSPP-G, L27.....LRP-95-246

3/8 NPT / BSPP-G, L27.....LRP-95-247

1/2 NPT / BSPP-G, L27.....LRP-95-248

Sight Dome Kit – Sight Dome and O-ring.....LRP-95-239

Tube, Siphon – Tube and Bronze Filter.....LRP-96-137

Accessories

Air Line Oil (1 Qt. Bottle)..... F442001

Auto-Fill™ Adapter Kit.....LRP-95-965

Force Fill Adapter.....GRP-96-394

Low Level Switch.....LRP-95-093

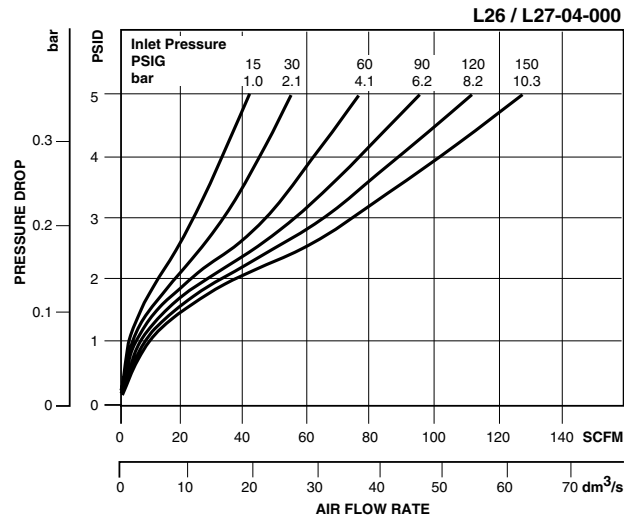
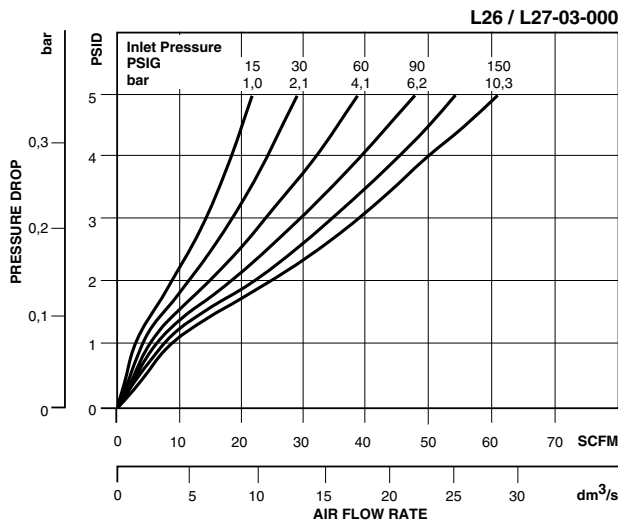
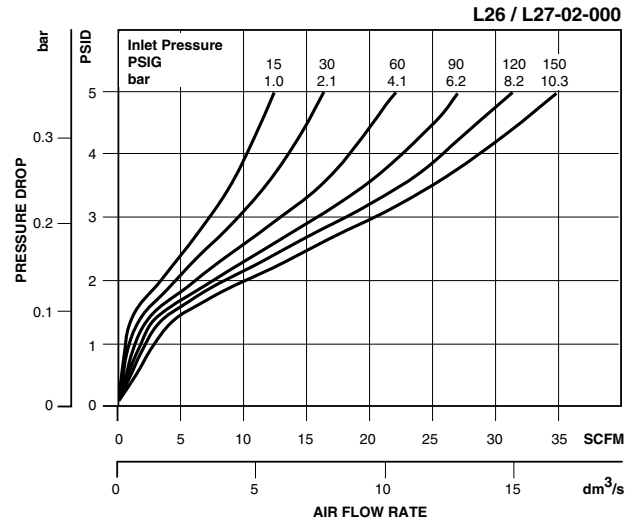
Manual Drain –

Brass Petcock.....GRP-95-182

Plastic PetcockLRP-95-181

Tamper Resistant Kit.....LRP-95-587

Wall Mounting Bracket, L-Type.....GPA-95-946



Ordering Information

Model Type	Port Size	Polycarbonate Bowl / Bowl Guard	Polycarbonate Bowl / Bowl Guard with Manual Drain	Metal Bowl / Sight Gauge
EconOmist™	1/4	L26-02-000	L26-02-D00	L26-02-G00
	3/8	L26-03-000	L26-03-D00	L26-03-G00
	1/2	L26-04-000	L26-04-D00	L26-04-G00
AtoMist™	1/4	L27-02-000	L27-02-D00	L27-02-G00
	3/8	L27-03-000	L27-03-D00	L27-03-G00
	1/2	L27-04-000	L27-04-D00	L27-04-G00

Options - To order an option supplied with the unit model, add the appropriate coded suffix letter in the designated position of the model number.

