

CONFIGURED DATA SHEET

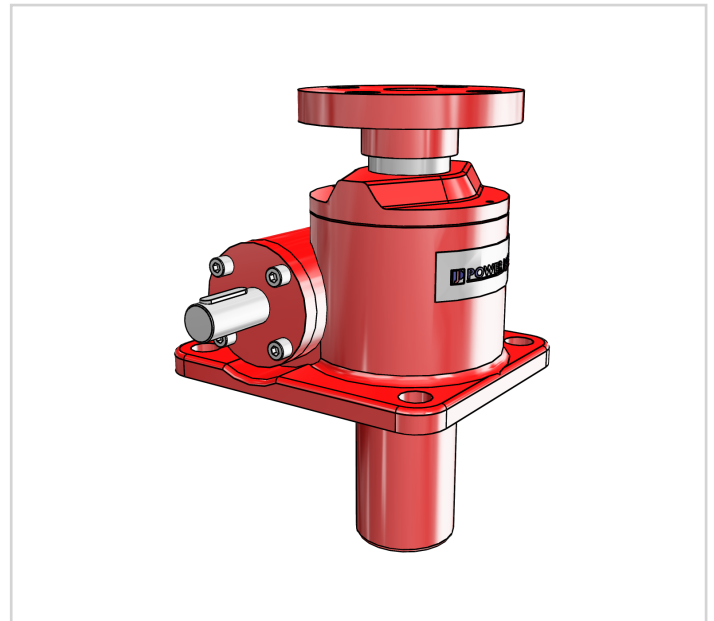
E-Series Machine Screw Jacks

Keyed, Upright, Translating

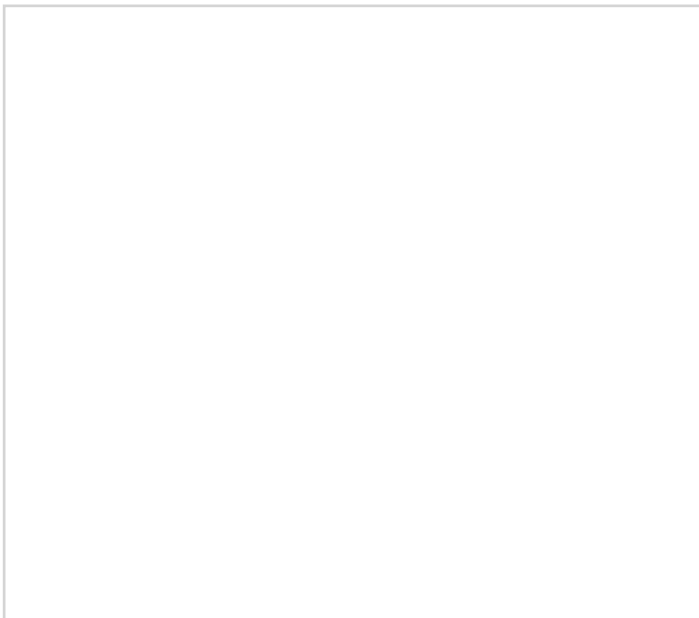
MODEL: EMT0100-UK01100-0120-TB00-0000



Product Image



Configured Product Image



Configured Product - Dynamic 3D Content

Power Jacks Limited
Balmacassie Commerical Park
Ellon, AB41 8BX
Scotland (UK)

www.powerjacks.com
sales@powerjacks.com

Tel: +44 (0)1358 285100

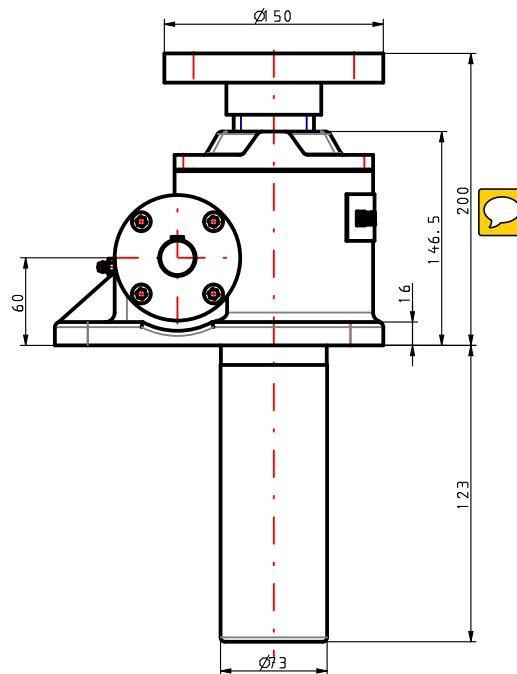
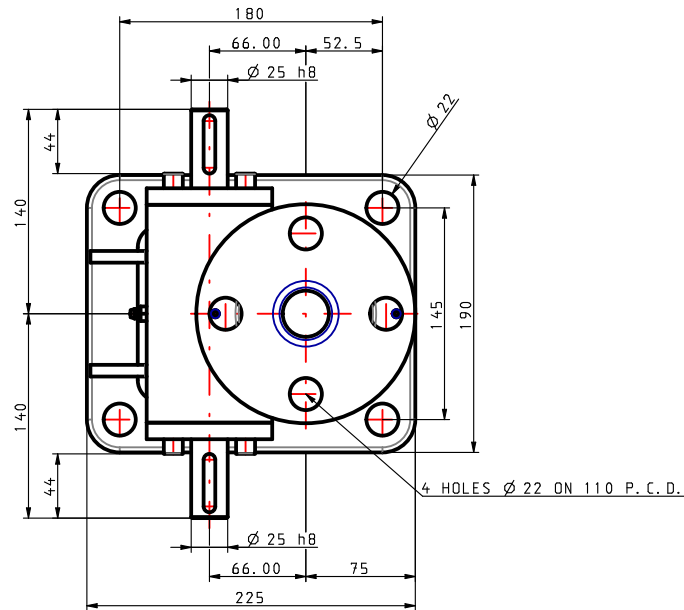


CONFIGURED DATA SHEET

E-Series Machine Screw Jacks

Keyed, Upright, Translating

MODEL: EMT0100-UK01100-0120-TB00-0000



Diese Maß 200 beträgt etwa 220 mm aufgrund des hier nicht dargestellten Platzbedarfs für den vollkommen zusammengepressten Faltenbalg.

Note: All dimensions in mm unless otherwise stated

Power Jacks Limited
Balmacassie Commerical Park
Ellon, AB41 8BX
Scotland (UK)

www.powerjacks.com
sales@powerjacks.com

Tel: +44 (0)1358 285100



FM 23810 OH 623565 EM 623286

Development Member

MADE IN BRITAIN

CONFIGURED DATA SHEET

E-Series Machine Screw Jacks

Keyed, Upright, Translating

MODEL: EMT0100-UK01100-0120-TB00-0000

CONFIGURATION SUMMARY

Product Code	EMT0100-UK01100-0120-TB00-0000
Gear Ratio	8:1
Stroke (mm)	120
Worm Shaft Ends	Both
Screw End Fitting	Top plate
Gearbox Mounting	Base Flange

Note: All rights reserved by Power Jacks Limited. May not be copied in whole or in part.

Power Jacks Limited
Balmacassie Commerical Park
Ellon, AB41 8BX
Scotland (UK)

www.powerjacks.com
sales@powerjacks.com

Tel: +44 (0)1358 285100



FM 23810 OH 623565 EM 623286