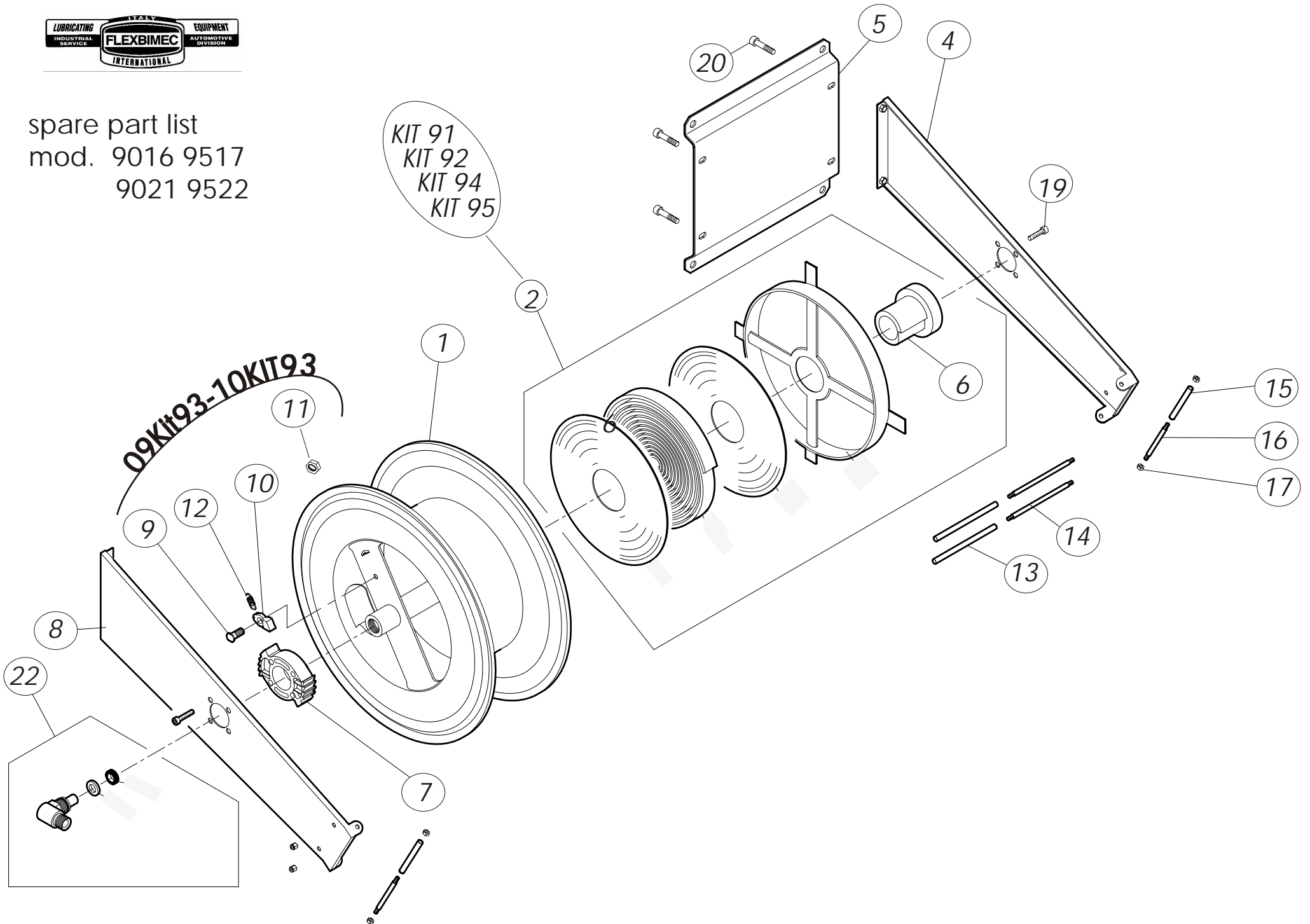


spare part list  
 mod. 9016 9517  
 9021 9522

KIT 91  
 KIT 92  
 KIT 94  
 KIT 95

09KIT93-10KIT93



POS	9016	9021	9517	9522	DESCRIZIONE	DESCRIPTIO N	Description	N' pcs
01	09 15 01	09 20 01	10 15 01	10 20 01	Rullo	drum	Rouleau	1
02	KIT 91	KIT 92	KIT94	KIT95	Molla e contenitore	Cansister and spring	Ressort avec recipient	1
04	09 15 04	09 15 04	10 15 04	10 15 04	Fiancata destra	Right bracket	Cote droite	1
05	09 00 05	09 02 05	10 00 05	10 02 05	Piastra di sostegno	Back bracket	Plaque de soutien	1
06	09 00 06	09 00 06	09 00 06	09 00 06	Mozzo tendimolla	hub	Moyeu tendeur de ressort	1
07	09 15 07	09 15 07	09 15 07	09 15 07	cremagliera	Latch ratchet	Cremaillere	1
08	09 15 08	09 15 08	10 15 08	10 15 08	Fiancata sinistra	Left side bracket	Cote gauche	1
	09 KIT93	09 KIT93	10 KIT93	10 KIT93				
09	09 15 09	09 15 09	10 15 09	10 15 09	Vite	screw	Vis	1
10	08 00 10	08 00 10	08 00 10	08 0010	saltarello	latch	Serpenteau	1
11	09 15 11	09 15 11	10 15 11	10 15 11	dado	nut	Ecrous	1
12	09 15 12	09 15 12	10 15 12	10 15 12	Molla slatarello	Latch spring	Ressort de serpentau	1
13	09 00 13	09 02 13	09 00 13	09 02 13	Rullino	Roller	Molette	2
14	09 00 14	09 02 14	10 00 14	10 02 14	Perno	dowell	Pivot	2
15	09 00 15	09 00 15	09 00 15	09 00 15	Rullo verticale	Vertical roller	Rouleau verticale	2
16	09 00 16	09 00 16	10 00 16	10 00 16	Perno	dowel	Pivot	2
17	09 00 17	09 00 17	09 00 17	09 00 17	Dado cieco	Cup nu	ecorus	2
19	09 00 19	09 00 19	10 00 19	10 00 19	Vite dia.8 tcei	Socket h. scr. 8mm.	Vis o 8 mm	8
20	09 00 20	09 00 20	10 00 20	10 00 20	Vite dia.8 tcei	Socket h. scr. 8mm.	Vis o 8 mm	8
21	09 15 23	09 15 23	09 15 23	09 15 23	Vite autof.	Self tapping screw	Vis-taraud	3
22	9951 9952	9951 9952	9963 9964 9965 9966	9963 9964 9965 9966	Giunto girevole	Sivel joint	Raccord tournant	1

spare part list  
mod. 9016 9517  
9021 9522