

Content

End drive unit	2
End drive unit, heavy-duty	5
End drive unit, direct drive.....	7
End drive unit, overhead motor	9
Double drive unit (c/c 106 mm).....	12
Double drive unit	14
Double drive unit (c/c 150-350 mm)	15
Catenary drive unit.....	18
Catenary drive unit, heavy-duty	22
Horizontal bend drive unit.....	26
Idler unit	30
Complete wheel bend	33
Pallet diverter kits, type A.....	36
Pallet merge kits, type A.....	38
Combined pallet divert/merge kits, type A	40
Pallet locating station and pallet stop, type A, XKPX 175 A	43
Pallet locating station and pallet stop, type A/B, XKPD 32x15 LA/LB	45
Pallet stop device, type A/B, XKPD 32x15 A/B ...	46
Spare parts Slide rail - XK	47
Spare parts Chains - XK	49
Spare parts Guide rail cover - XK	51
Product designations in alphanumeric order	53

© Copyright FlexLink 2011

The contents of this publication are the copyright of the publishers and may not be reproduced (even extracts) unless permission is granted. Every care has been taken to ensure the accuracy of the information but no liability can be accepted for any errors or omissions. The right is reserved to make design modifications.

Patents

Essential parts of the FlexLink product range are protected by patents and design regulations.
Drawings are made to European standards.

Catalogue instructions

1. How to read the catalogue: Open the catalogue and from the pictorial index locate the group in which the part you want to find is present. Turn over to the concerned page number (as given by pictorial index). Now find out the figure of the part you wish to order. Jot down the part number against that particular figure number from the text. In case, if you have the part number and you need the other details, the part index can be used. The part index (at the end of the catalogue) will give you the figure and page number of the part you wish to order.

2. How to order spare parts: The part number and the description of the part required should be invariably mentioned in the order as per the catalogue text. The latest part number as conveyed through our service circulars should only appear on the order. In case of ordering colored components, color code of the components should be mentioned. The quantity shown against the part number is the quantity per unit for that group so that particular quantity should be multiplied by the number of sets required.

3. Abbreviations: The following abbreviations are used in this catalogue:

assly.	Assembly
V	Volts
N.I.	Not illustrated
W	Watt
Comp.	Complete
Fr	Front
Std.	Standard
L	Length
A/t.	Alternate
Rr	Rear
L.H.	Left hand
R.H.	Right hand
AR	As required
<i>(Part number)</i> Part number presented in “parantheses” and in Italic character style	Parts are included in a Spare parts kit.
*)	These items can only be purchased as part of a kit and when an item has an * the corresponding item always is placed between brackets (..) see above.
Recomended Spare part	Parts which are usually kept in stock and have short turnaround (See item 4)

4. Recommended Spare parts:

Several items of the complete spare parts overview are earmarked as recommended spare parts. FlexLink advises its customers to purchase and stock these specific items for replacement in case of failure of the original item. The recommended spares are limited to only these items for which the cost of buying is in a fair relationship to the risk (i.e. probability * impact) of sudden failure. It merely consists of wear parts and some electrical and pneumatic components.

Spare parts End drive unit - XK

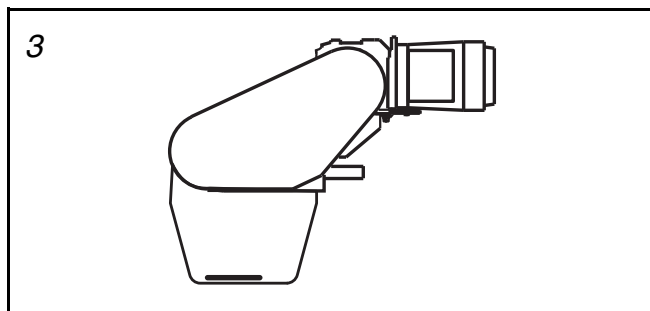
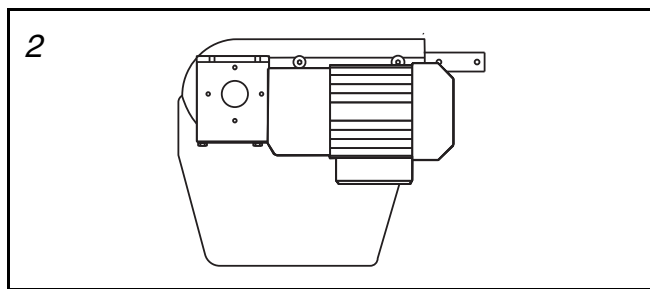
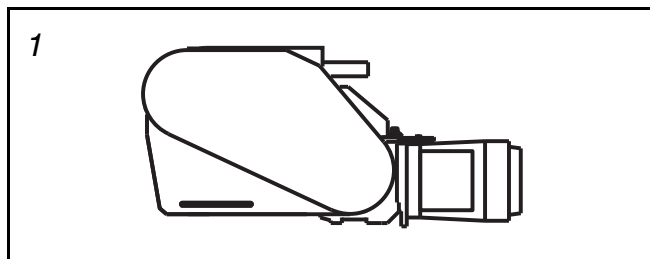


Technical information from FlexLink

XK001-E12

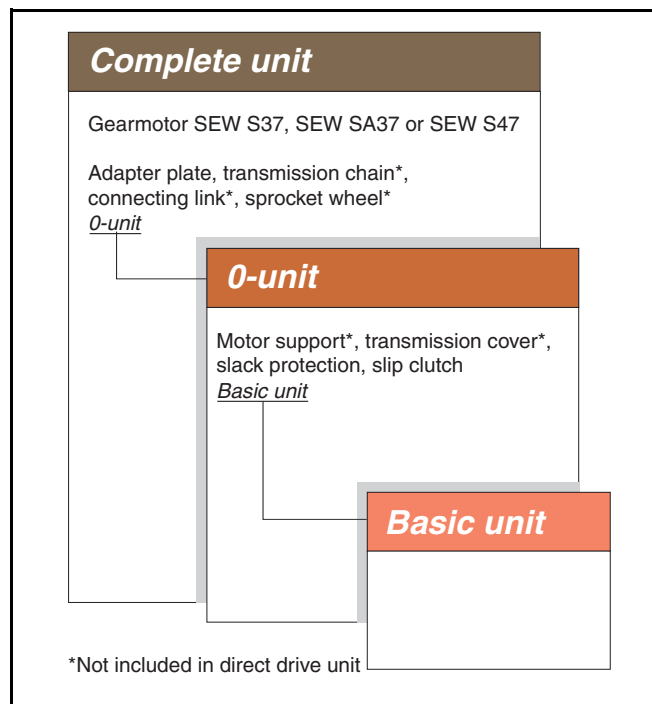
End drive unit - XK

Contents



Revision list

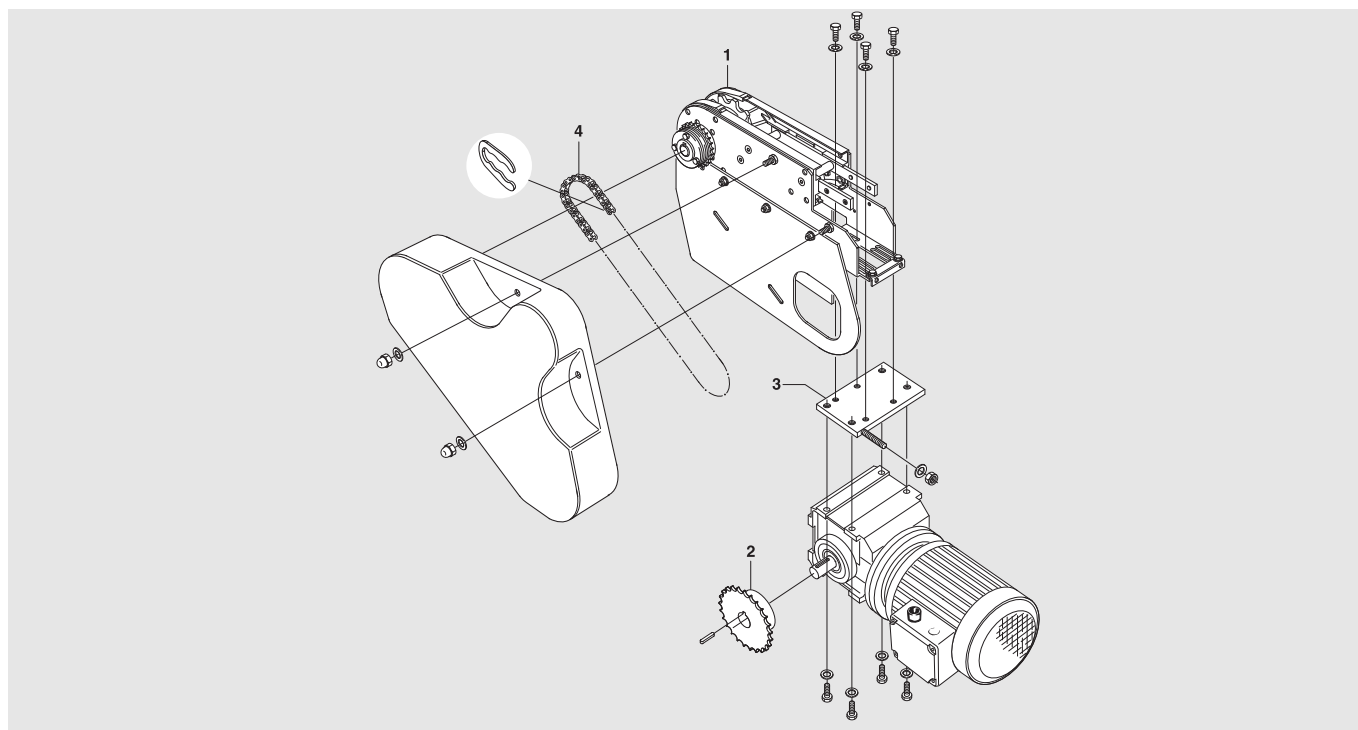
Doc ID	Date	Type of revision	Entered by
XK001-E1	98-10-14	New version	Enator Inforum
XK001-E2	00-05-15	Part No change	AerotechTelub
XK001-E3	00-06-14	End drive unit, direct drive XKEB HLP/HRP added	AerotechTelub
XK001-E4	00-09-15	XKEB HLP/HRP: changed to XKEB LP/RP	AerotechTelub
XK001-E5	00-10-04	P. 11 XKEB 0 LU/RU del.	AerotechTelub
XK001-E6	01-04-24		
XK001-E7	08-10-30	Spare part kits added	JE
XK001-E8	09-03-19		JE
XK001-E9	10-02-12	Updated (page 4)	JE
XK001-E10	10-02-16	Slip clutch SP kit deleted	JE
XK001-E11	10-06-22	Added new col.	JE



End drive unit

Complete unit – XKEB _L/R/LA/RA

For SEW S37 gearmotor



Item	Description	Part No	Qty	Comments	Recommended Spare parts
1	0-unit (left-hand version)	XKEB 0 L/LA	1	See next page for details	
	0-unit (right-hand version)	XKEB 0 R/RA	1	See next page for details	
	Motor alternative, see Drive unit guide 5014				
2	Sprocket wheel 1/2" including set screw		1	See table below	X
3	Adapter plate including bolts and washers	3924197	1	For SEW S37 gearmotor	
	Adapter plate	3924455	1	Blind adapter plate	
4	Transmission chain 1/2" including connecting link	3921638	1	ISO/R- 1967- 08B- 1 (ISO)	X
	Transmission chain 1/2" including connecting link	5044948	1	ISO/R- 1967- 08A- 1 (ANSI)	X

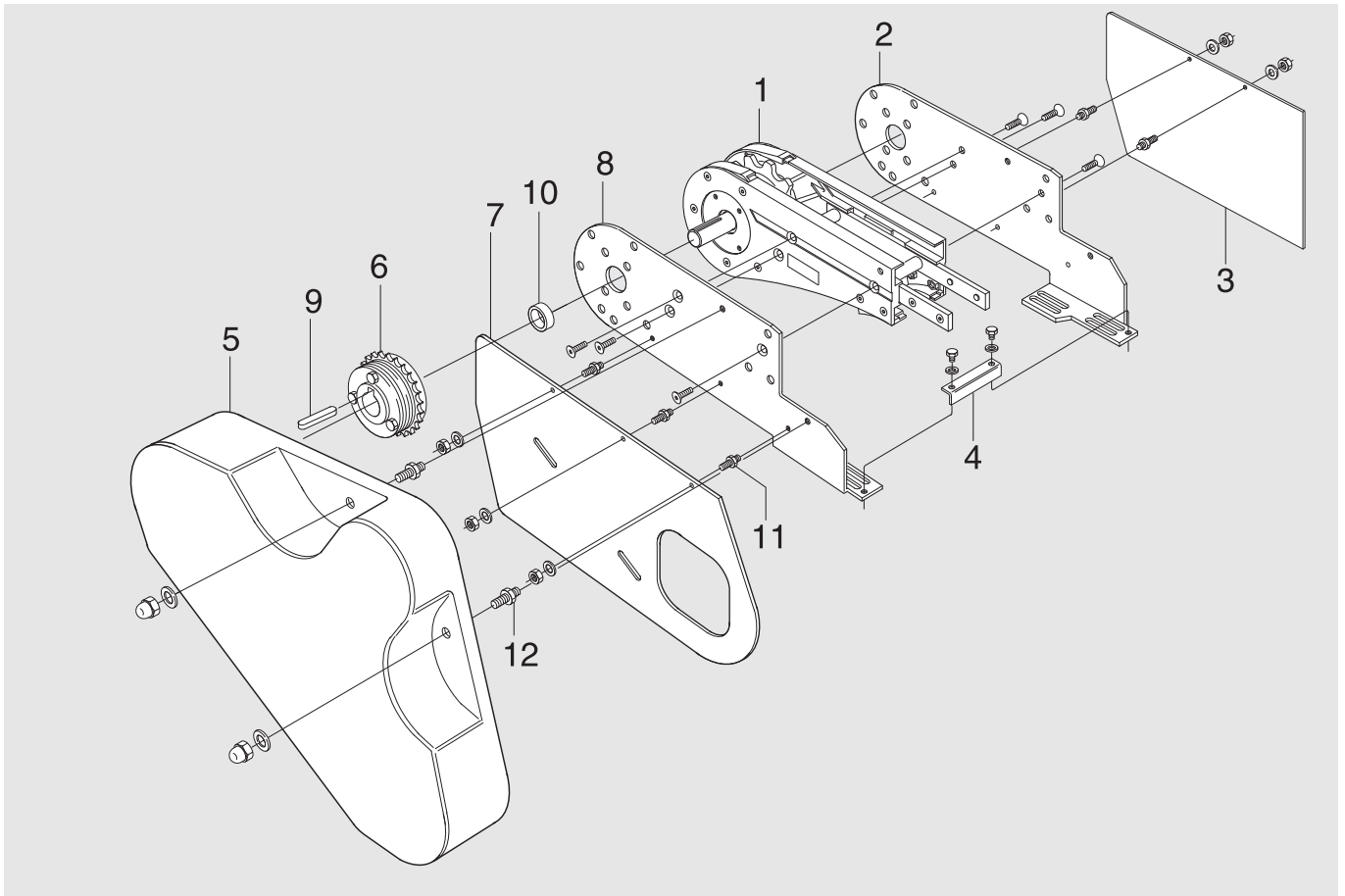
Important

Items 2-4 must be ordered separately when ordering a 0-unit (item 1). The sprocket wheel (item 2) should be specified in accordance with the following table:

Sprocket wheel 1/2"	Part No (SEW)
z ₁ =19	3924438
z ₁ =21	3924439
z ₁ =23	3924440
z ₁ =25	3921258
z ₁ =15 ANSI	5044935
z ₁ =17 ANSI	5044936
z ₁ =19 ANSI	5044937
z ₁ =21 ANSI	5044938
z ₁ =23 ANSI	5044939
z ₁ =25 ANSI	5044940

End drive unit

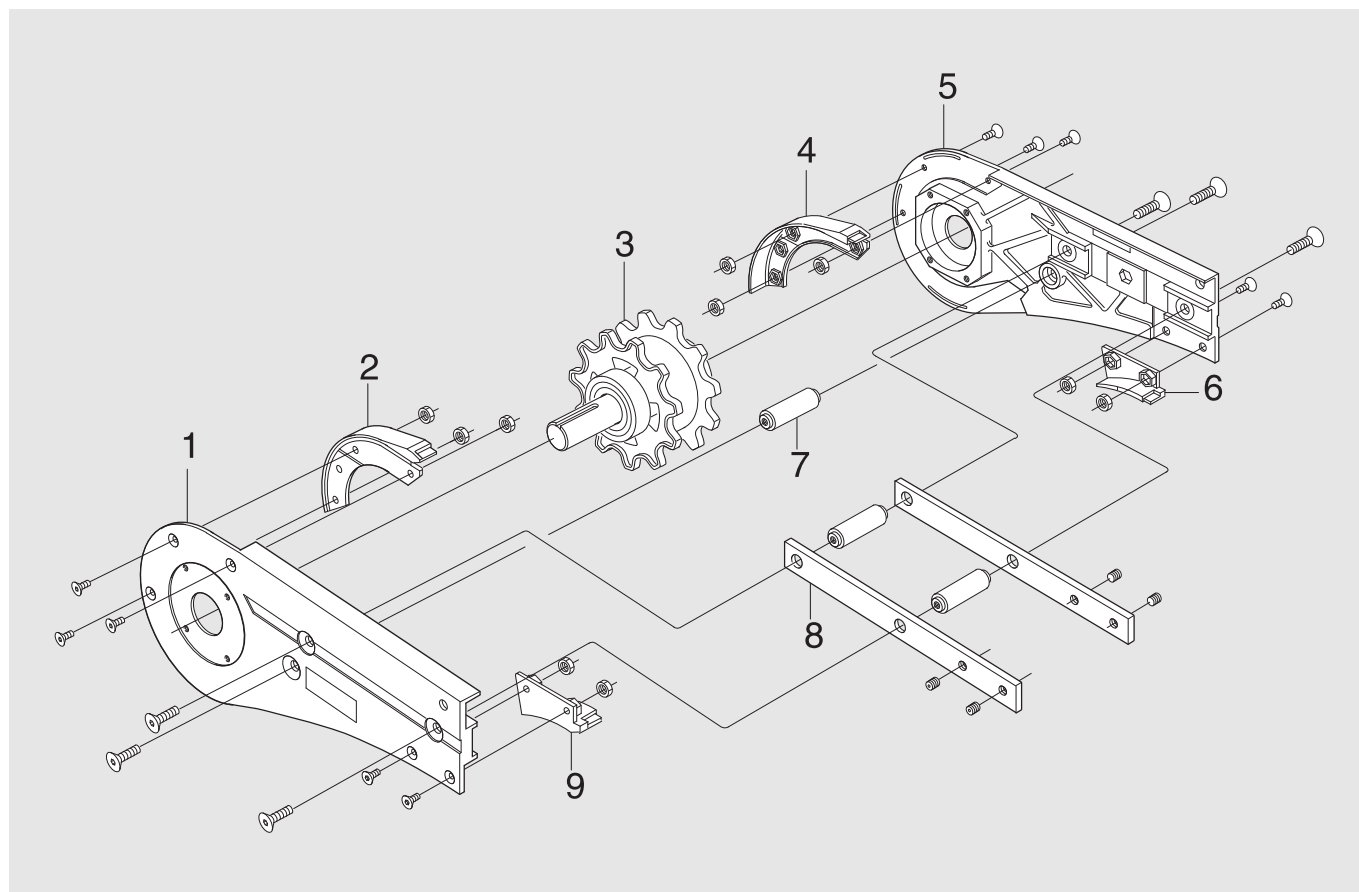
0-unit – XKEB 0 L/R/LA/RA



Item	Description	Part No	Qty	Comments	Recommended Spare parts
1	Basic unit (left-hand version)	XKEB 0 HLU	1	See next page for details	
	Basic unit (right-hand version)	XKEB 0 HRU	1	See next page for details	
2	Motor bracket	3925025	1		
3*	Slack protection	(3925590)	1	See kit below	
4	Adjusting block	3924287	1		
5	Transmission cover	3925068	1		
6	Slip clutch Ø25 mm	5053981	1	ISO	
	-Slip clutch, Spare parts kit	5056817	1	ISO, incl. cup spring, ball, chain wheel.	X
	Slip clutch Ø25 mm	5054000	1	ANSI	
	-Slip clutch, Spare parts kit	5056820	1	ANSI, incl. cup spring, ball, chain wheel.	X
7*	Slack protection	(3925589)	1	See kit below	
8	Motor bracket	3925024	1		
9	Thin parallel key	8x7-50	1	DIN 6885A h9	
10	Distance	3925325	1		
11*	Distance screw	(3904862)	5	See kit below	
12*	Distance screw	(3904855)	2	See kit below	
*) 3+7	Slack protection kit	5111650	1		
*) 11	Distance screw kit	5111600	1	Kit contains 10 pcs	
*) 12	Distance screw kit	5111599	1	Kit contains 10 pcs	

End drive unit

Basic unit – XKEB 0 HLU/HRU

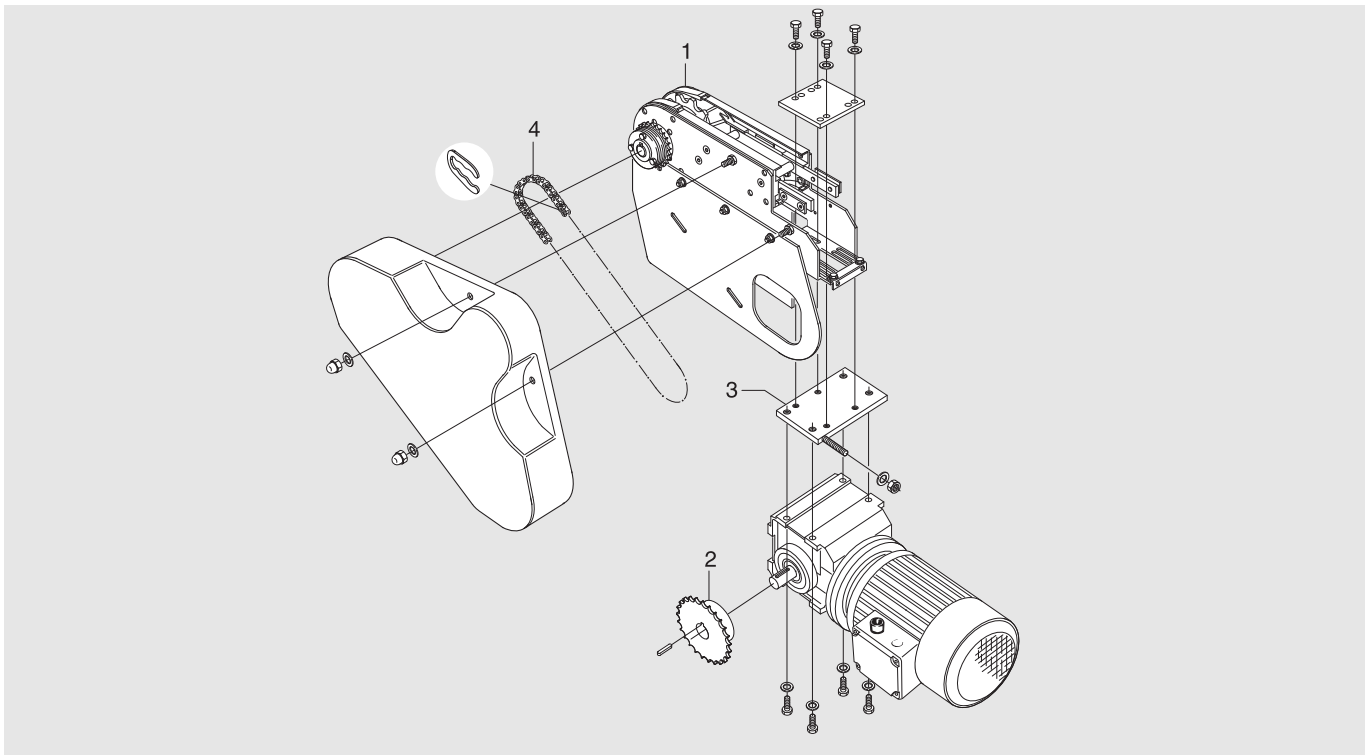


Item	Description	Part No	Qty	Comments	Recommended Spare parts
1*	Side plate L	(3920210)	1	See kit below	
2, 4	Spare parts kit Steering guide	5051421	1		X
3	Drive wheel kit	5116503	1	Incl. wheel, shaft, bearing and wedge	X
5*	Side plate R	(3920209)	1	See kit below	
6*	Guide R	(3924763)	1	See kit below	
7	Spacer	3924989	3		
8	Connecting strip	3921123	2		
9*	Guide L	(3924764)	1	See kit below	
*) 1+5	Side plate kit	5111651	1		
*) 6+9	Spare parts kit Guide	5111652	1		X

End drive unit, heavy-duty

Complete unit – XKEB_ HL/HR/HLA/HRA

For SEW S47 gearmotor



Item	Description	Part No	Qty	Comments	Recommended Spare parts
1	0-unit (left-hand version)	XKEB 0 HL/HLA	1	See next page for details	
	0-unit (right-hand version)	XKEB 0 HR/HRA	1	See next page for details	
2	Sprocket wheel 5/8" incl. grub screw		1	See table below	X
3	Adapter plate incl. bolts and washers, reinforc. plate	3925035	1		
	Adapter plate	3924455	1	Blind adapter plate	
4	Transmission chain 5/8" incl. connecting link	3925957	1	ISO/R- 1967- 08B- 1 (ISO)	X
	Transmission chain 5/8" incl. connecting link	5044980		ISO/R- 1967- 08A- 1 (ANSI)	X

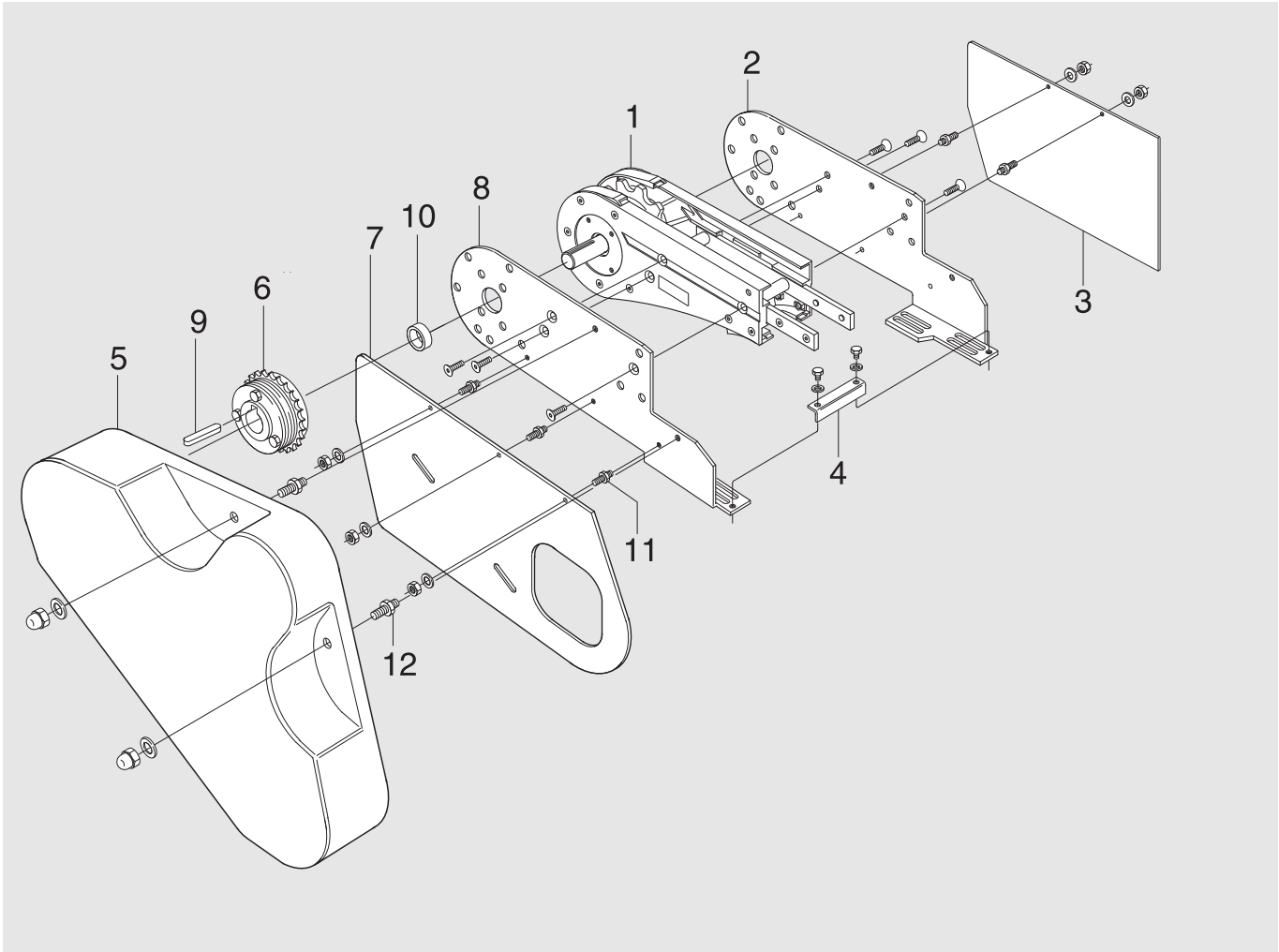
Important

Items 2-4 must be ordered separately when ordering a 0-unit (item 1). The sprocket wheel (item 2) should be specified in accordance with the following table:

Sprocket wheel 5/8"	Part No (SEW)
z ₁ =15	3925259
z ₁ =17	3925260
z ₁ =19	3925261
z ₁ =21	3925262
z ₁ =23	3925263
z ₁ =25	3925264
z ₁ =15 ANSI	5044972
z ₁ =17 ANSI	5044973
z ₁ =19 ANSI	5044974
z ₁ =21 ANSI	5044975
z ₁ =23 ANSI	5044976
z ₁ =25 ANSI	5044977
z ₂ =25 ANSI	5045367

End drive unit, heavy-duty

0-unit – XKEB 0 HL/HR/HLA/HRA

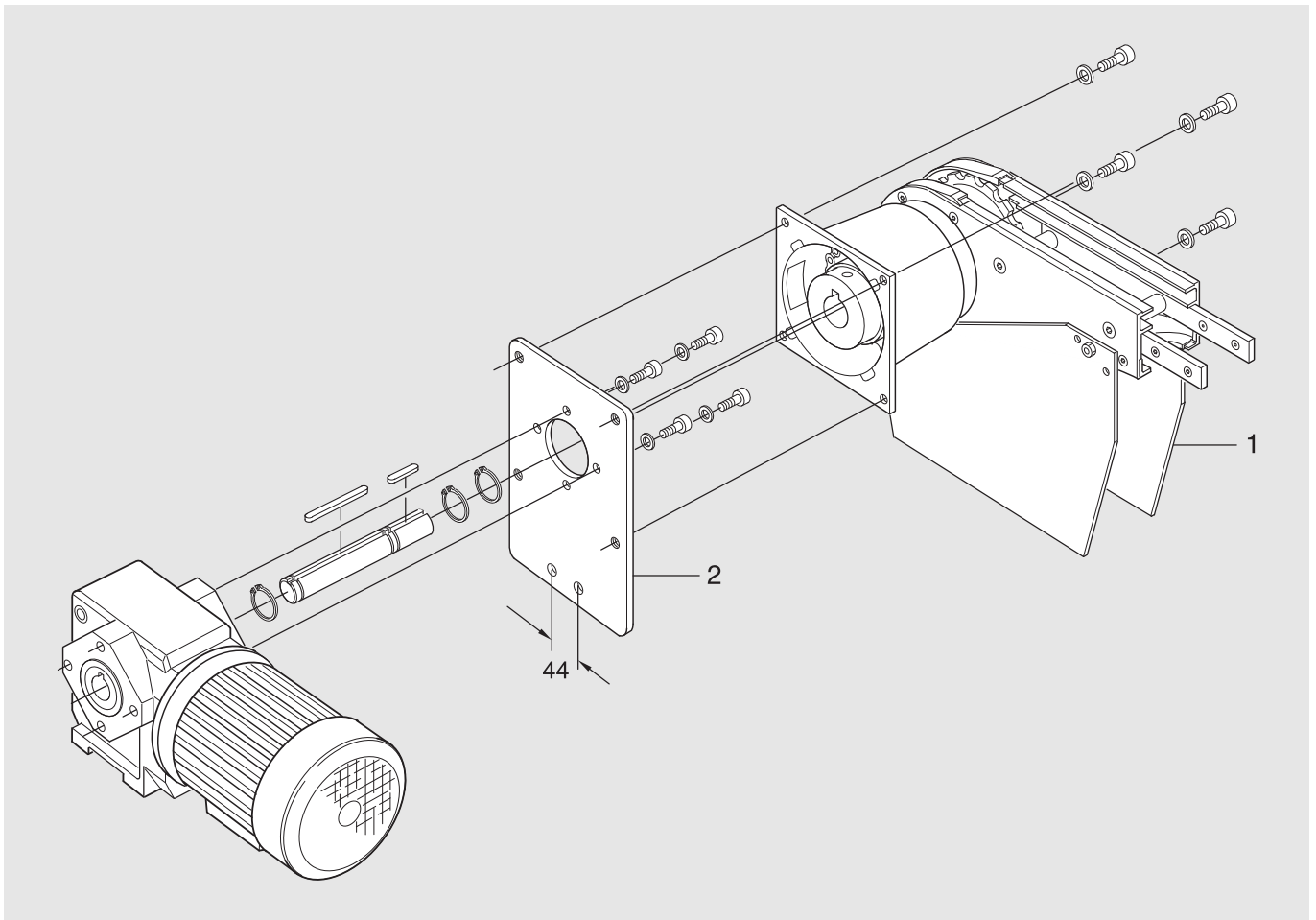


Item	Description	Part No	Qty	Comments	Recommended Spare parts
1	Basic unit (left-hand version)	XKEB 0 HLU	1	See Page 4 for details	
	Basic unit (right-hand version)	XKEB 0 HRU	1	See Page 4 for details	
2	Motor bracket	3925025	1		
3*	Slack protection	(3925590)	1	See kit below	
4	Adjusting block	3924287	1		
5	Transmission cover	3925068	1		
6	Slip clutch Ø25 mm	5054001	1	ISO, 5/8"	X
	Slip clutch Ø25 mm	5054002	1	ANSI, 5/8"	X
7*	Slack protection	(3925589)	1	See kit below	
8	Motor bracket	3925024	1		
9	Thin parallel key	8×7–50	1	DIN 6885 A h9	
10	Distance	3925325	1		
11*	Distance screw	(3904862)	5	See kit below	
12*	Distance screw	(3904855)	2	See kit below	
*) 3+7	Slack protection kit	5111650	1		
*) 11	Distance screw kit	5111600	1	Kit contains 10 pcs	
*) 12	Distance screw kit	5111599	1	Kit contains 10 pcs	

End drive unit, direct drive

Complete unit – XKEB_LP/RP/LAP/RAP

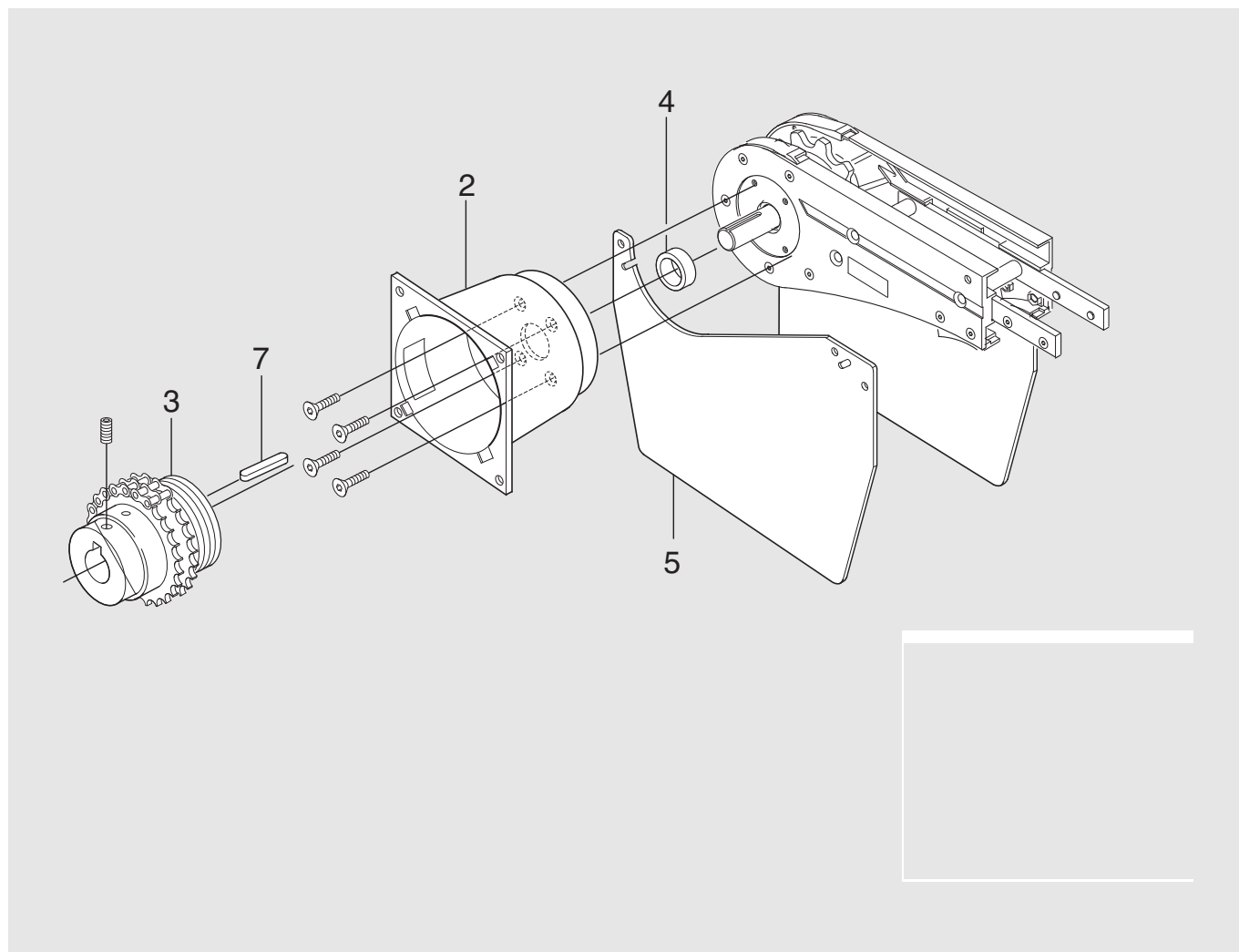
For SEW SA37 gearmotor



Item	Description	Part No	Qty	Comments	Recommended Spare parts
1	0-unit (left-hand version)	XKEB 0 LP	1	See next page for details	
	0-unit (right-hand version)	XKEB 0 RP	1	See next page for details	
	Motor , see Drive unit guide 5014				
2	Adapter plate including bolts, washers and shaft	5117108	1	SEW SA37 gearmotor The illustration shows part no 3920088	

End drive unit, direct drive

0-unit – XKEB 0 LP/RP

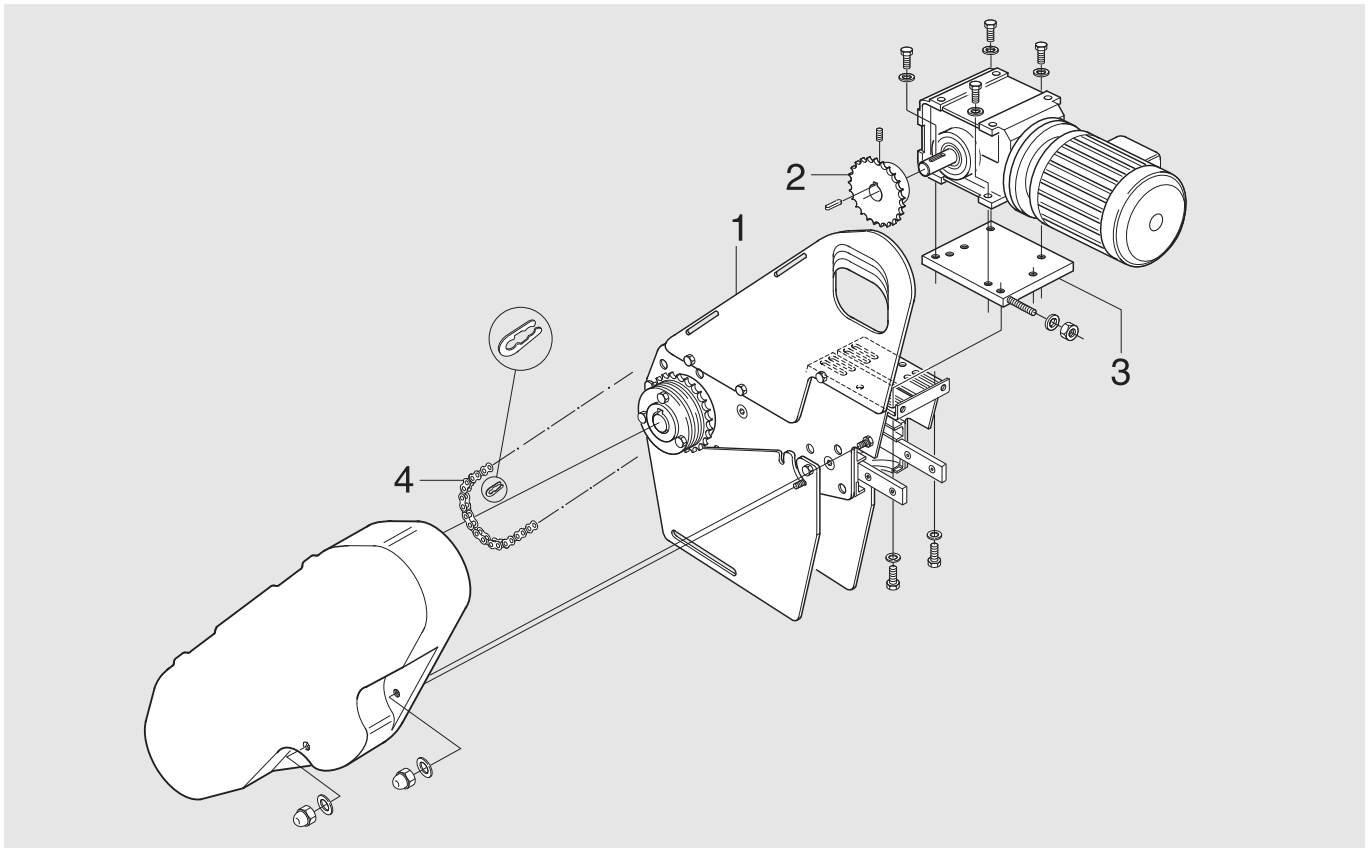


Item	Description	Part No	Qty	Comments	Recommended Spare parts
1	Basic unit (left-hand version)	XKEB 0 HLU	1	See Page 4 for details	
	Basic unit (right-hand version)	XKEB 0 HRU	1	See Page 4 for details	
2	Flange	3920084	1		
3	Slip clutch Ø20–Ø25 mm	5054003	1		X
4	Distance ring	3925921	1		
5*	Slack protection	(5048340)	2	See kit below	
6	Screw	(3925718)	4	See kit below	
7	Thin parallel key	8x7–40	1	DIN 6885 A h9	
*) 5	Slack protection kit	5111653	1	LH+RH	
*) 6	Distance screw kit	5111598	1	Kit contains 10 pcs	

End drive unit, overhead motor

Complete unit – XKEH _L/R/LA/RA

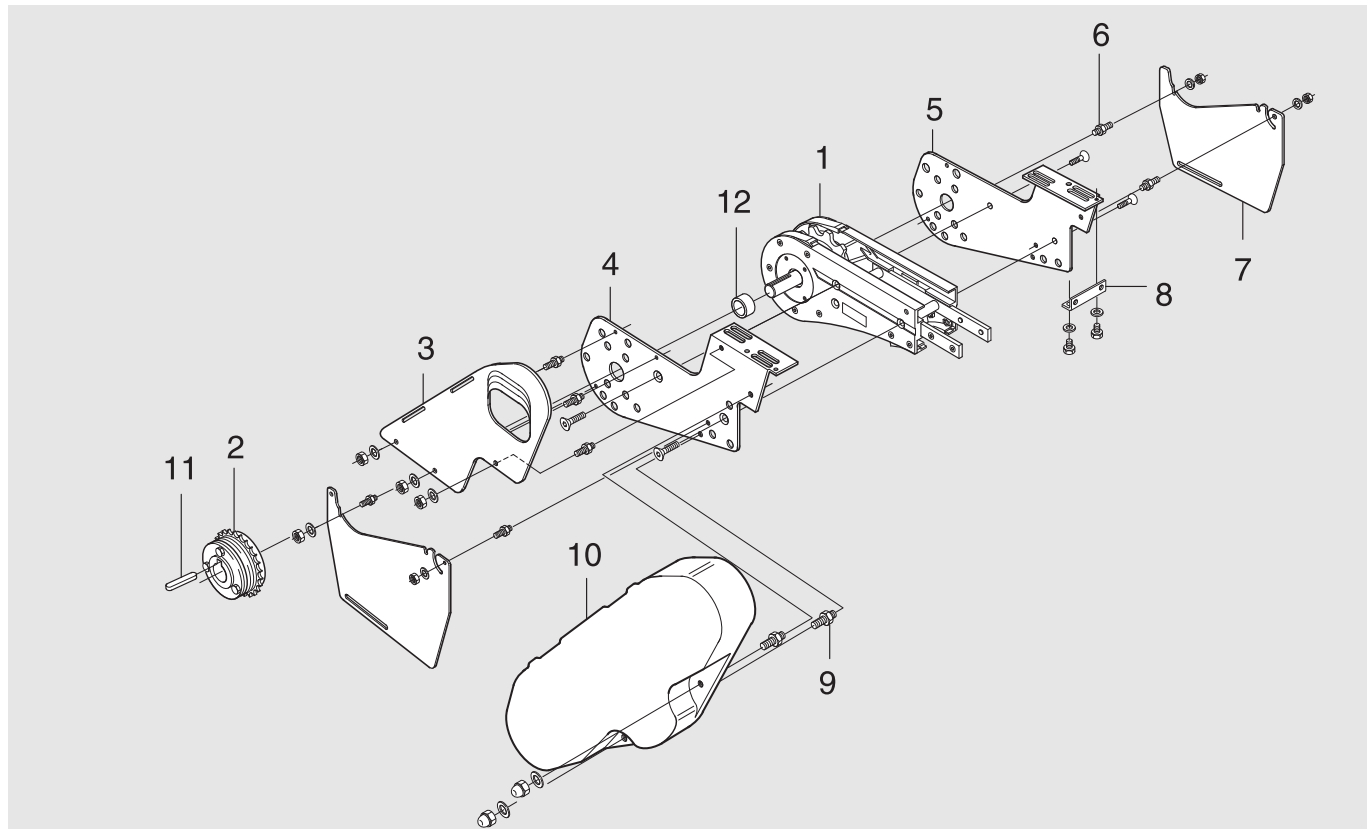
For SEW S37 gearmotor



Item	Description	Part No	Qty	Comments	Recommended Spare parts
1	0-unit (left-hand version)	XKEH 0 L/LA	1	See next page for details	
	0-unit (right-hand version)	XKEH 0 R/RA	1	See next page for details	
2	Sprocket wheel 1/2" including grub screw	See page 2	1		
3	Adapter plate including bolts and washers	3924197	1	For SEW S37 gearmotor	
	Adapter plate	3924455	1	Blind adapter plate	
4	Transmission chain 1/2" including connecting link	See page 2	1	ISO/R- 1967- 08B- 1 (ISO)	X
	Transmission chain 1/2" including connecting link	See page 2	1	ISO/R- 1967- 08A- 1 (ANSI)	X

End drive unit, overhead motor

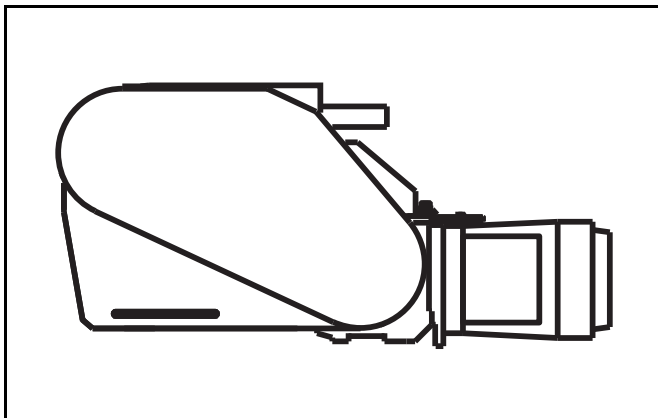
0-unit – XKEH 0 L/R/LA/RA



Item	Description	Part No	Qty	Comments	Recommended Spare parts
1	Basic unit (left-hand version)	XKEB 0 HLU	1	See Page 4 for details	
	Basic unit (right-hand version)	XKEB 0 HRU	1	See Page 4 for details	
2	Slip clutch Ø25 mm	5053981	1	ISO	
	-Slip clutch, Spare parts kit	5056817	1	ISO, incl. cup spring, ball, chain wheel.	X
	Slip clutch Ø25 mm	5054000	1	ANSI	
	-Slip clutch, Spare parts kit	5056820	1	ANSI, incl. cup spring, ball, chain wheel.	X
3	Safety guard	3926402	1		
4	Motor bracket L	3926400	1		
5	Motor bracket R	3926401	1		
6*	Screw	(3904862)	6	See kit below	
7*	Slack protection	(3926375)	2	See kit below	
8	Adjusting block	3924287	1		
9*	Screw	(3904855)	2	See kit below	
10	Transmission cover	3925068	1		
11	Thin parallel key	8×7–50	1	DIN 6885A h9	
12	Distance ring	3925325	1		
*) 7	Slack protections kit	5111633	1		
*) 6	Distance screw kit	5111600	1	Kit contains 10pcs	
*) 9	Distance screw kit	5111599	1	Kit contains 10pcs	

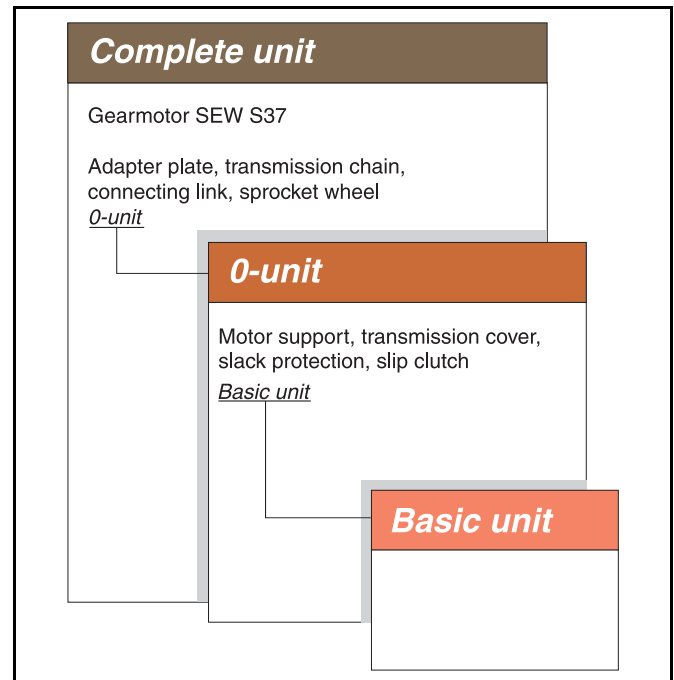


Double drive unit - XK



Revision list

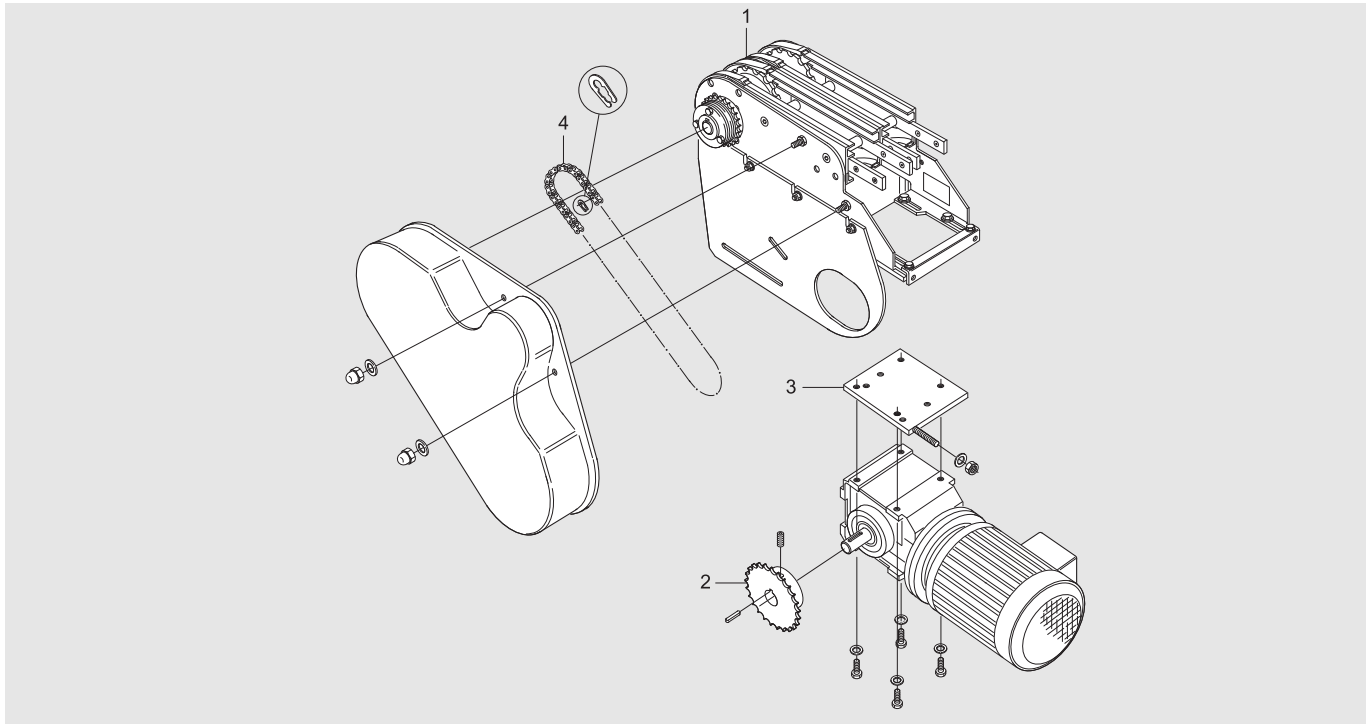
Document designation	Date	Type of revision	Entered by
XK002-E1	98-10-14	New version	Enator Inforum
XK002-E2	99-09-13	Double drive unit (c/c106mm)	TietoEnator
XK002-E3	00-05-15	P. 4 item 2.4: PartNo change	AerotechTelub
XK002-E4	08-10-22	Spare part kits added	JE
XK002-E5	09-03-19		JE
XK002-E6	10-06-22	Added new col.	JE



Double drive unit (c/c 106 mm)

Complete unit – XKEB _LD/RD106/LAD106/RAD106*

For SEW S37 gearmotor



Item	Description	Part No	Qty	Comments	Recommended Spare parts
1	0-unit (left-hand version)	XKEB 0 LD/LAD106	1	See next page for details	
	0-unit (right-hand version)	XKEB 0 RD/RAD106	1	See next page for details	
2	Sprocket wheel 1/2" including grub screw		1	See table below	X
3	Adapter plate including bolts and washers	3926310	1	For SEW S37 gearmotor	
	Adapter plate	3924455	1	Blind plate	
4	Transmission chain 1/2" including connecting link	3921638	1	ISO/R- 1967- 08B- 1 (ISO)	X
	Transmission chain 1/2" including connecting link	5044948	1	ISO/R- 1967- 08A- 1 (ANSI)	X

* c/c 106 mm

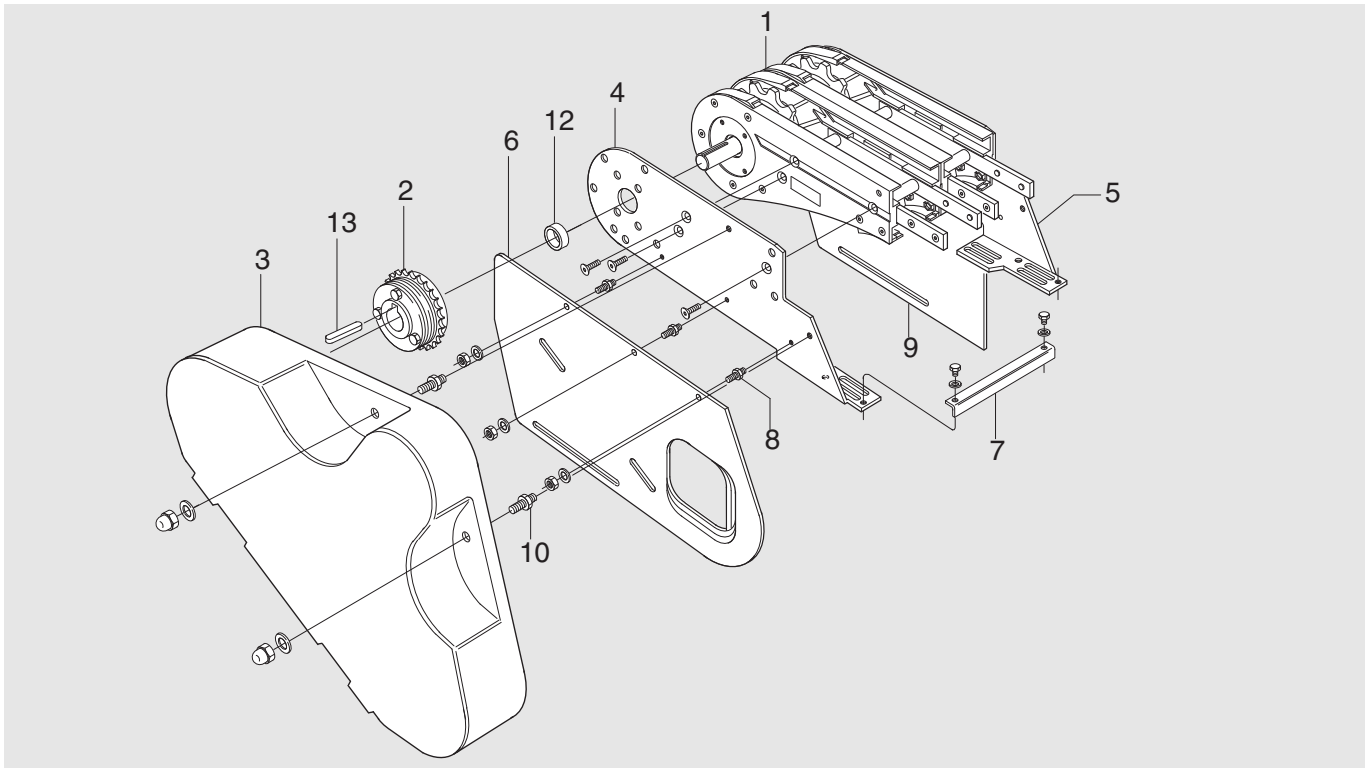
Important

Items 2-4 must be ordered separately when ordering a 0-unit (item 1). The sprocket wheel (item 2) should be specified in accordance with the following table:

Sprocket wheel 1/2"	Part No (SEW)
z ₁ =19	3924438
z ₁ =21	3924439
z ₁ =23	3924440
z ₁ =25	3921258
z ₁ =15 ANSI	5044935
z ₁ =17 ANSI	5044936
z ₁ =19 ANSI	5044937
z ₁ =21 ANSI	5044938
z ₁ =23 ANSI	5044939
z ₁ =25 ANSI	5044940

Double drive unit (c/c 106 mm)

0-unit – XKEB 0 LD/RD/LAD/RAD106*

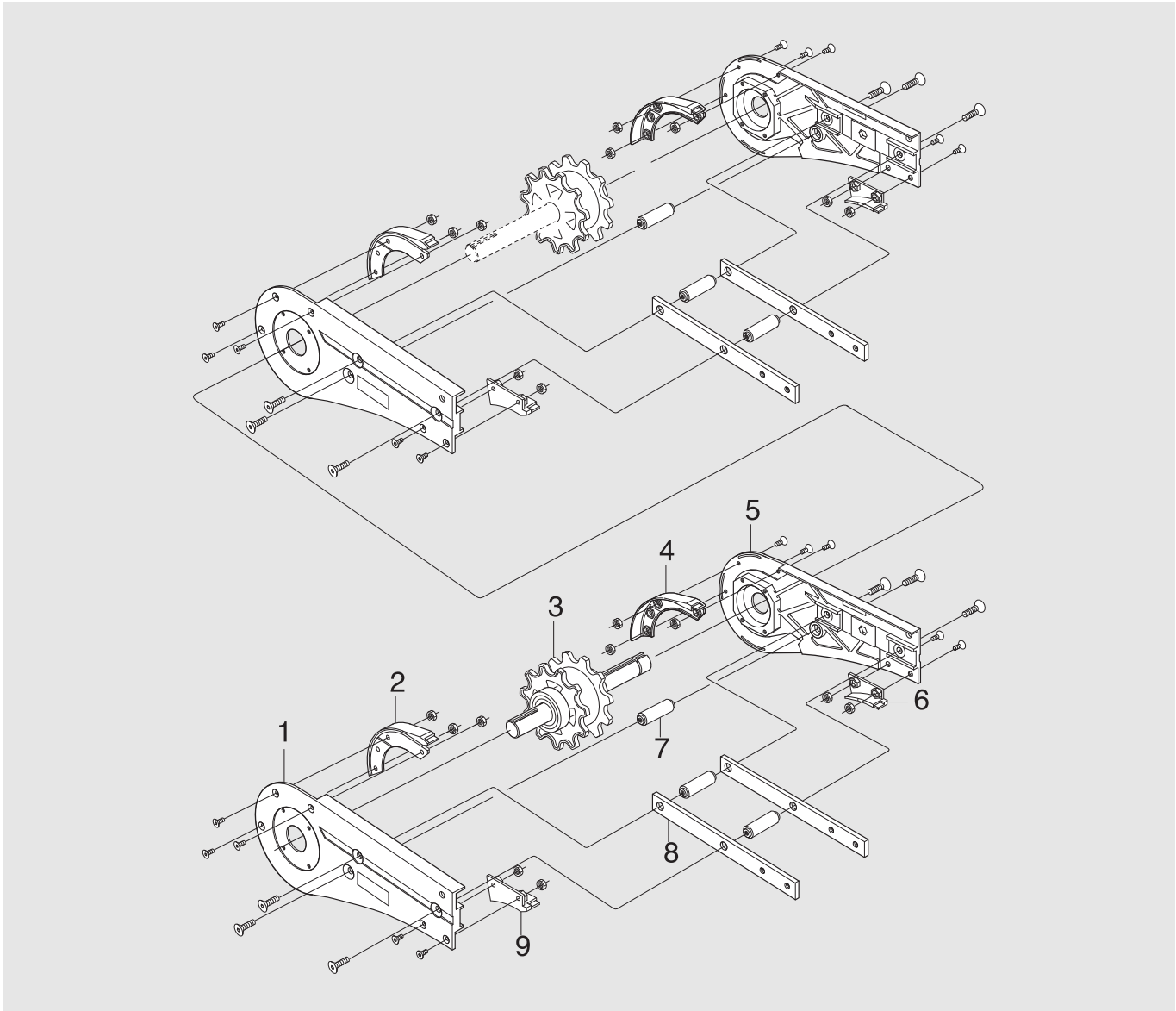


Item	Description	Part No	Qty	Comments	Recommended Spare parts
1	Basic unit	XKEB 0 LDU106	1	See next page for details	
	Basic unit	XKEB 0 RDU106	1	See next page for details	
2	Slip clutch Ø25 mm	5053981	1	ISO	
	-Slip clutch, Spare parts kit	5056817	1	ISO, incl. cup spring, ball, chain wheel.	X
	Slip clutch Ø25 mm	5054000	1	ANSI	
	-Slip clutch, Spare parts kit	5056820	1	ANSI, incl. cup spring, ball, chain wheel.	X
3	Transmission cover	3925068	1		
4	Motor bracket R	3925025	1		
5	Motor bracket L	3925024	1		
6*	Slack protection	(3925589)	1	See kit below	
7	Adjusting block	3926279	1		
8*	Distance screw M6	(3904862)	5	See kit below	
9*	Slack protection	(3925590)	1	See kit below	
10*	Distance screw M8	(3904855)	2	See kit below	
11	Adapter plate	3926310	1	c/c 106	
12	Distance	3925325	1		
13	Thin parallel key	8x7-63	1	DIN 6885A h9	
*) 6+9	Slack protection kit	5111650	1	LH+RH	
*) 8	Distance screw kit	5111600	1	Kit contains 10 pcs	
*) 10	Distance screw kit	5111599	1	Kit contains 10 pcs	

* c/c 106 mm

Double drive unit

Basic unit – XKEB 0 LDU/RDU106*

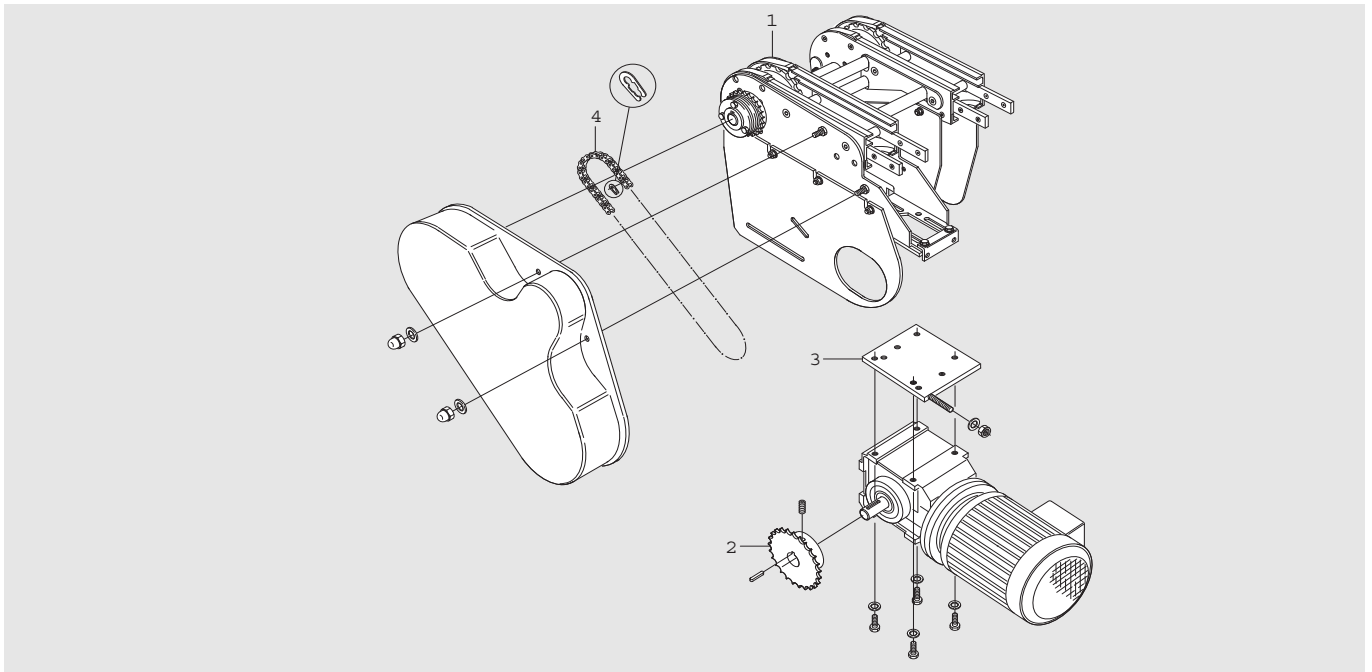


Item	Description	Part No	Qty	Comments	Recommended Spare parts
1*	Side plate L	(3920210)	2	See kit below	
2,4	Spare parts kit Steering guide	5051421	2	Marked A, B and C, D	X
3	Drive wheel kit	3926299	1	c/c 106/150–350	X
5*	Side plate R	(3920209)	2	See kit below	
6*	Guide L	(3924764)	2	See kit below	
7	Spacer	3924989	6		
8	Connecting strip	3921123	4		
9*	Guide R	(3924763)	2	See kit below	
*) 1+5	Side plate kit	5111651	1	LH+RH	
*) 6+9	Spare parts kit Guide	5111652	2	LH+RH	X

Double drive unit (c/c 150-350 mm)

Complete unit – XKEB_LD/RD/LAD/RAD-*

For SEW S37 gearmotor



Item	Description	Part No	Qty	Comments	Recommended Spare parts
1	0-unit (left-hand version)	XKEB 0 LD/LAD-	1	See next page for details	
	0-unit (right-hand version)	XKEB 0 RD/RAD-	1	See next page for details	
2	Sprocket wheel 1/2" including grub screw		1	See table below	X
3	Adapter plate including bolts and washers	3924197	1	For SEW S37 gearmotor	
	Adapter plate	3924455	1	Blind adapter plate	
4	Transmission chain 1/2" including connecting link	3921638	1	ISO/R- 1967- 08B- 1 (ISO)	X
	Transmission chain 1/2" including connecting link	5044948	1	ISO/R- 1967- 08A- 1 (ANSI)	X

* The dash (-) indicates a customer specified c/c distance in the range 150 mm to 350 mm.

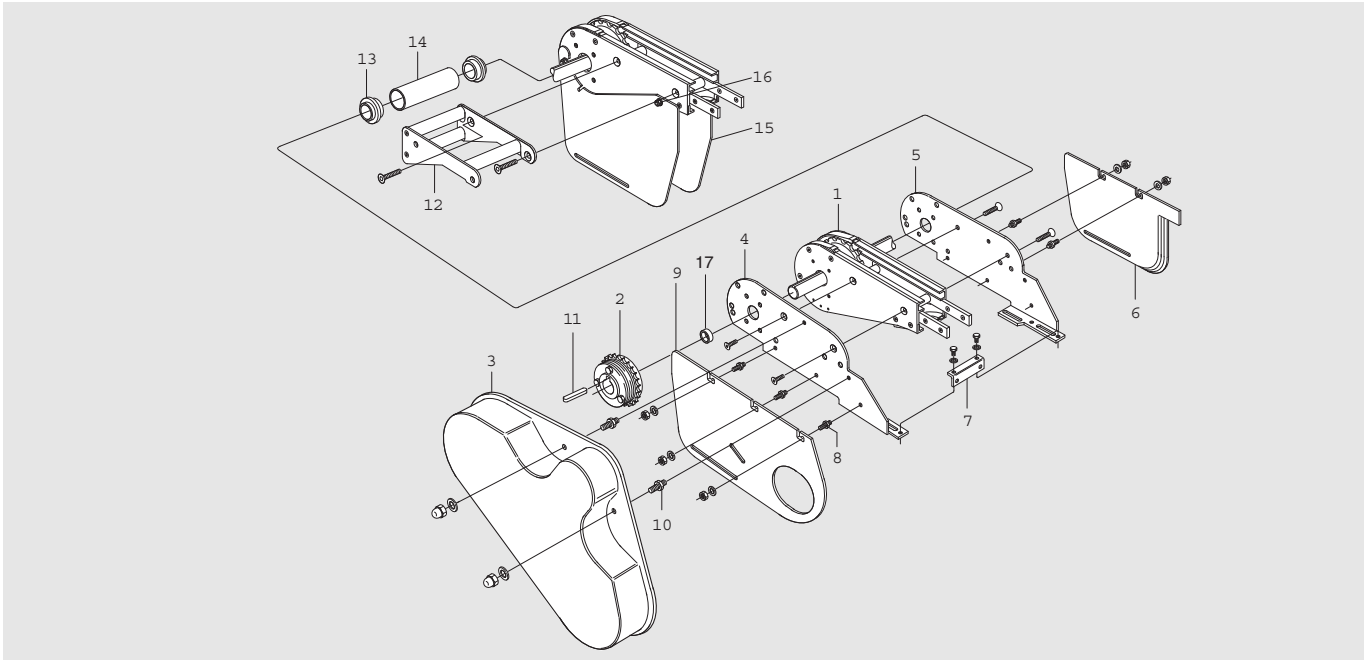
Important

Items 2-4 must be ordered separately when ordering a 0-unit (item 1). The sprocket wheel (item 2) should be specified in accordance with the following table:

Sprocket wheel 1/2"	Part No (SEW)
Z ₁ =19	3924438
Z ₁ =21	3924439
Z ₁ =23	3924440
Z ₁ =25	3921258
Z ₁ =15 ANSI	5044935
Z ₁ =17 ANSI	5044936
Z ₁ =19 ANSI	5044937
Z ₁ =21 ANSI	5044938
Z ₁ =23 ANSI	5044939
Z ₁ =25 ANSI	5044940

Double drive unit (c/c 150-350 mm)

0-unit – XKEB 0 LD/RD/LAD/RAD-*

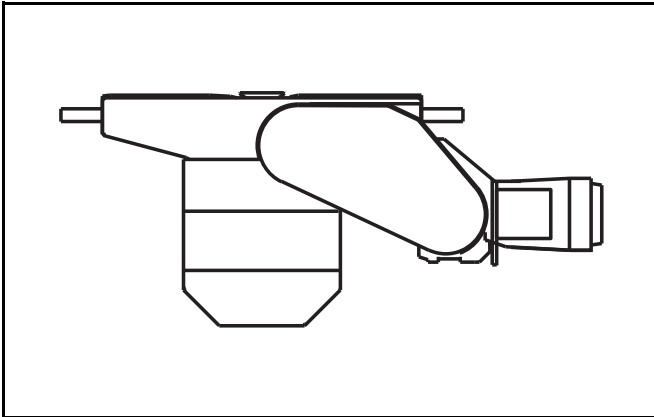


Item	Description	Part No	Qty	Comments	Recommended Spare parts
1	Basic unit	XKEB 0 HLDU-	1	See Page 14 for details	
	Basic unit	XKEB 0 HRDU-	1	See Page 14 for details	
2	Slip clutch Ø25 mm	5053981	1	ISO	
	-Slip clutch, Spare parts kit	5056817	1	ISO, incl. cup spring, ball, chain wheel.	X
	Slip clutch Ø25 mm	5054000	1	ANSI	
	-Slip clutch, Spare parts kit	5056820	1	ANSI, incl. cup spring, ball, chain wheel.	X
3	Transmission cover	3925068	1		
4	Motor bracket	3925025	1		
5	Motor bracket	3925024	1		
6*	Slack protection	(3925589)	1	See kit below	
7	Adjusting block	3925469	1		
8*	Distance screw M6	(3904862)	9	See kit below	
9*	Slack protection	(3925590)	1	See kit below	
10*	Distance screw M8	(3904855)	2	See kit below	
11	Thin parallel key	8x7-63	1	DIN 6885A h9	
12	Fastener yoke	5046985	1		
13	Bushing	5044695	2		
14	Sleeve	5046977	1		
15	Slack protection	5047050	2		
16	Distance screw	3925718	2		
17	Distance	3925325	1		
*) 6+9	Slack protection kit	5111650	1	LH+RH	
*) 8	Distance screw kit	5111600	1	Kit contains 10 pcs	
*) 10	Distance screw kit	5111599	1	Kit contains 10 pcs	

* The dash (-) indicates a customer specified c/c distance in the range 150 mm to 350 mm.

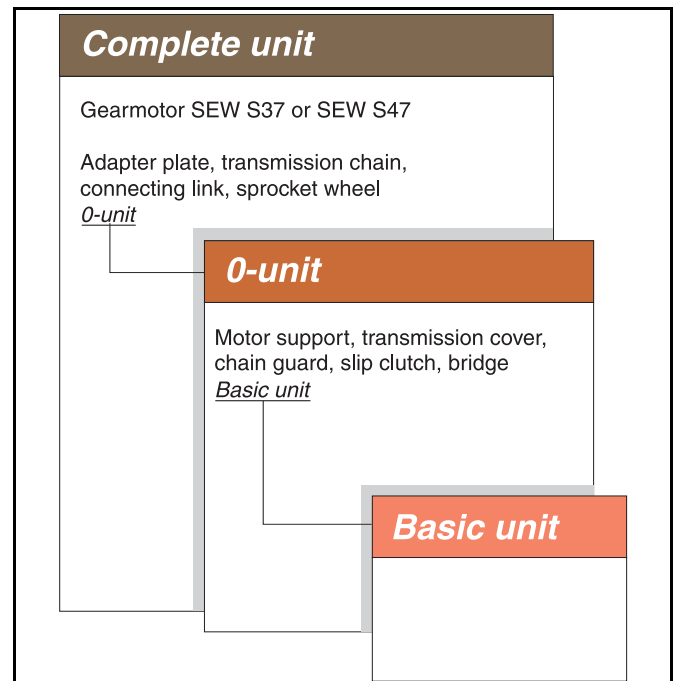


Catenary drive unit - XK



Revision list

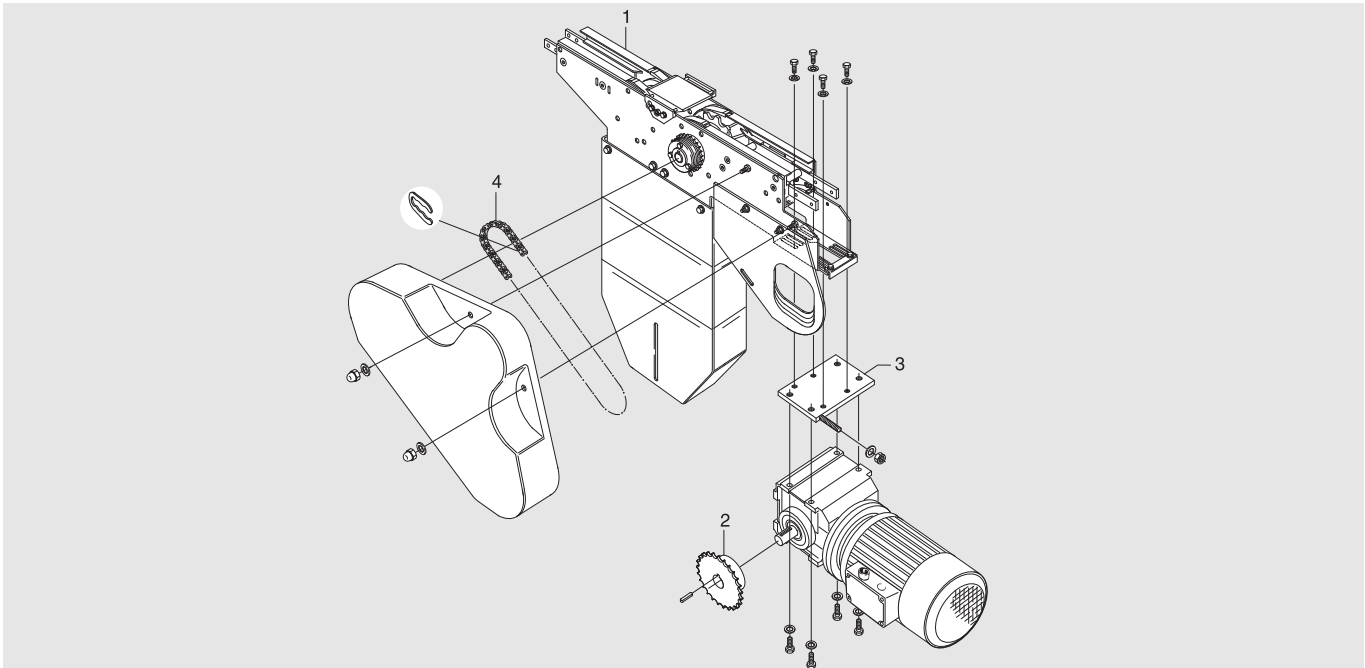
Document designation	Date	Type of revision	Entered by
XK003-E1	98-10-14	New version	Enator Inforum
XK003-E2	00-05-15	P4-5 Part No changed	Aerotech Telub
XK003-E3	08-05-06	P. 3+7 item 16 Part No changed	BS
XK003-E4	08-10-23	Spare part kits added	JE
XK003-E5	09-03-19		JE
XK003-E6	10-02-16	Slip clutch SPkit, deleted	JE
XK003-E7	10-06-23	Added new col.	JE
XK003-E8	15-02-23	Update BOM p.20	KR



Catenary drive unit

Complete unit – XKEC_L/R/LA/RA

For SEW S37 gearmotor



Item	Description	Part No	Qty	Comments	Recommended Spare parts
1	0-unit (left-hand version)	XKEC 0 L/LA	1	See next page for details	
	0-unit (right-hand version)	XKEC 0 R/RA	1	See next page for details	
2	Sprocket wheel 1/2" including grub screw		1	See table below	X
3	Adapter plate including bolts and washers	3924197	1	For SEW S37 gearmotor	
	Adapter plate	3924455	1	Blind adapter plate	
4	Transmission chain 1/2" including connecting link	3921638	1	ISO/R- 1967- 08B- 1 (ISO)	X
	Transmission chain 1/2" including connecting link	5044948	1	ISO/R- 1967- 08A- 1 (ANSI)	X

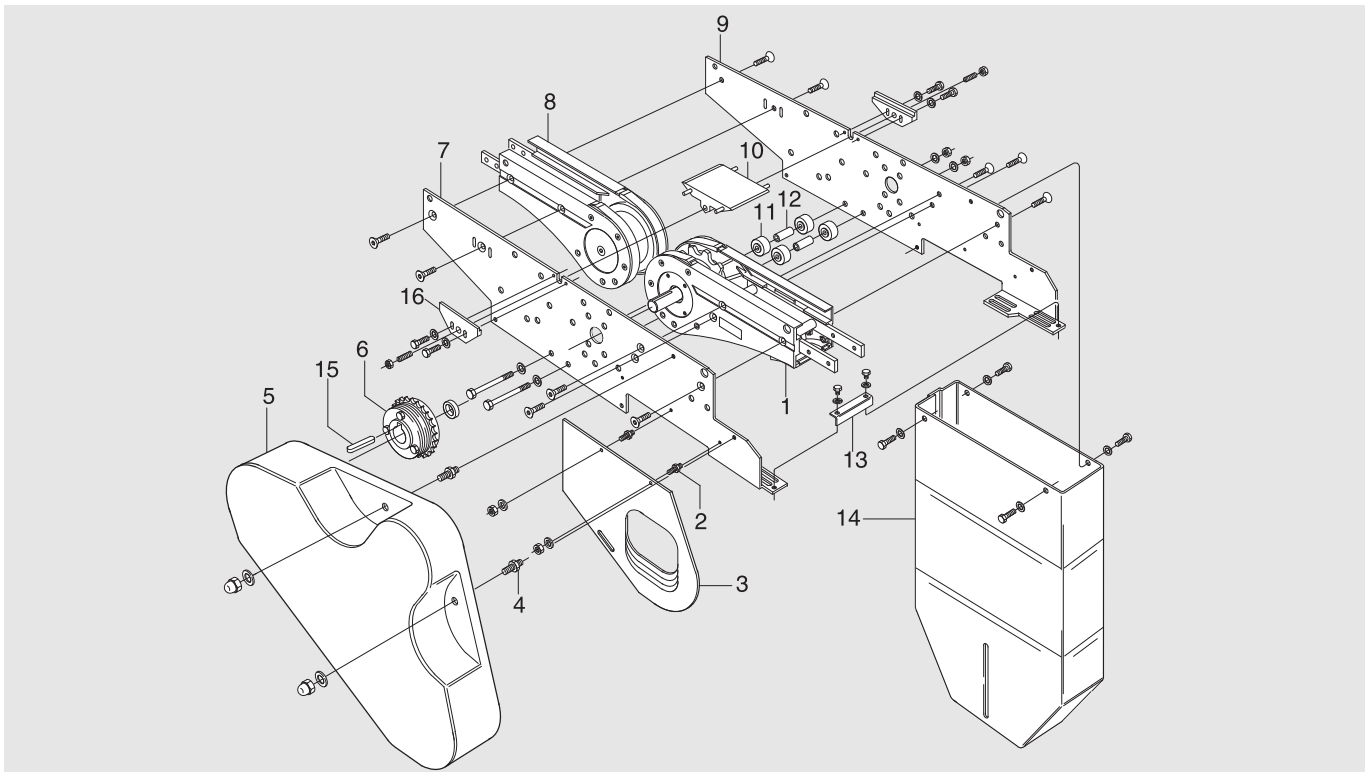
Important

Items 2-4 must be ordered separately when ordering a 0-unit (item 1). The sprocket wheel (item 2) should be specified in accordance with the following table:

Sprocket wheel 1/2"	Part No (SEW)
z ₁ =19	3924438
z ₁ =21	3924439
z ₁ =23	3924440
z ₁ =25	3921258
z ₁ =15 ANSI	5044935
z ₁ =17 ANSI	5044936
z ₁ =19 ANSI	5044937
z ₁ =21 ANSI	5044938
z ₁ =23 ANSI	5044939
z ₁ =25 ANSI	5044940

Catenary drive unit

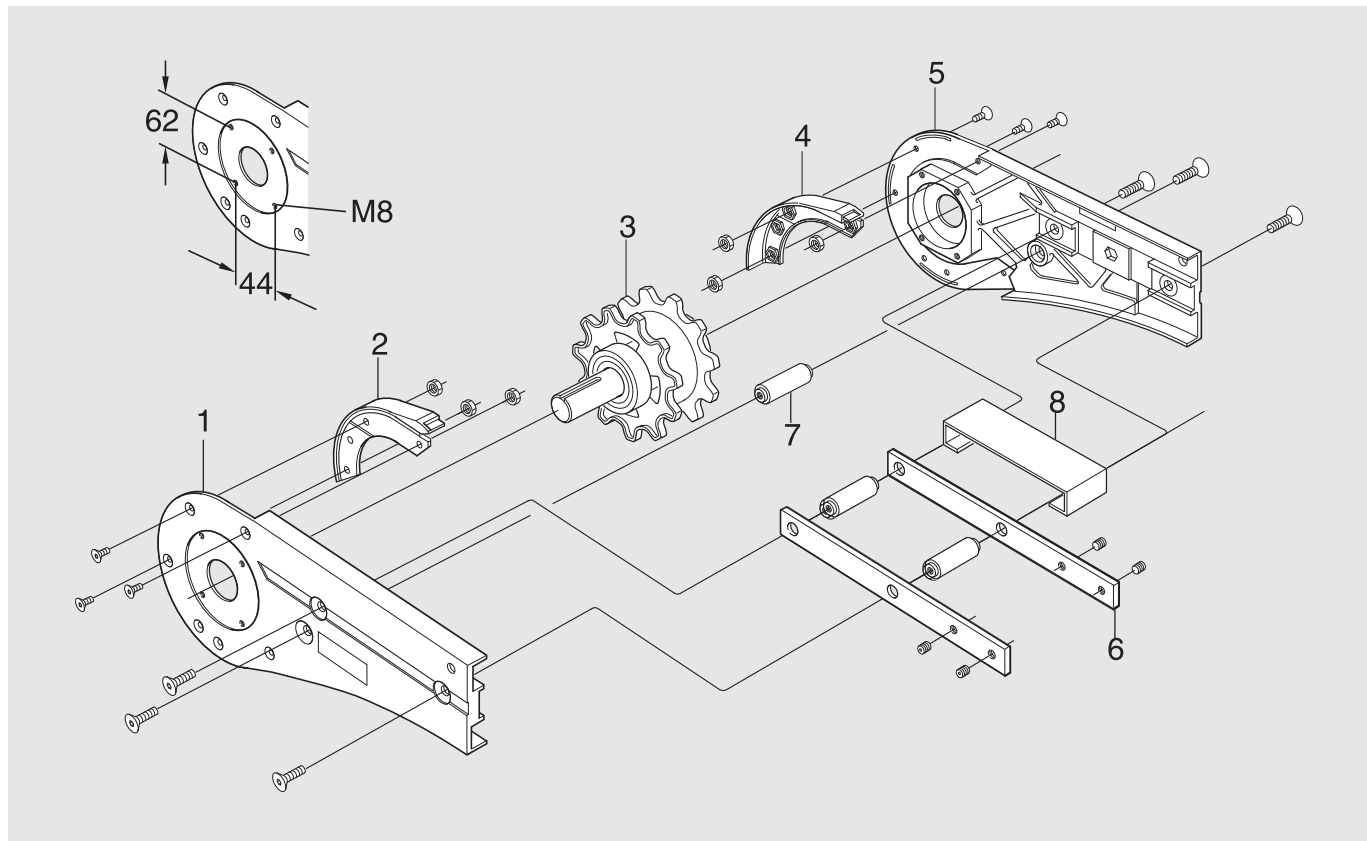
0-unit – XKEC 0 L/R/LA/RA



Item	Description	Part No	Qty	Comments	Recommended Spare parts
1	Basic unit (left-hand version)	3925333	1	See next page for details	
	Basic unit (right-hand version)	3925334	1	See next page for details	
2*	Distance screw	(3904862)	2	See kit below	
3	Chain guard	3925069	1		
4*	Distance screw	(3904855)	2	See kit below	
5	Transmission cover	3925068	1		
6	Slip clutch Ø25 mm	5053981	1	ISO	
	-Slip clutch, Spare parts kit	5056817	1	ISO, incl. cup spring, ball, chain wheel.	X
6	Slip clutch Ø25 mm	5054000	1	ANSI	
	-Slip clutch, Spare parts kit	5056820	1	ANSI, incl. cup spring, ball, chain wheel.	X
7	Motor bracket L	3925027	1		
8	Idler unit	3925332	1	See page 5 for details	
9	Motor bracket R	3925028	1		
10	Bridge	3905610	1		
11	Support ruller	3920087	4		
12	Distance pipe	3920010	2		
13	Adjusting block	3924287	1		
14	Cover	3925336	1		
15	Thin parallel key	8x7-63	1	DIN 6885A h9	
16	Adjustment plate	5043154	2		
*) 2	Distance screw kit	5111600	1	Kit contains 10 pcs	
*) 4	Distance screw kit	5111599	1	Kit contains 10 pcs	

Catenary drive unit

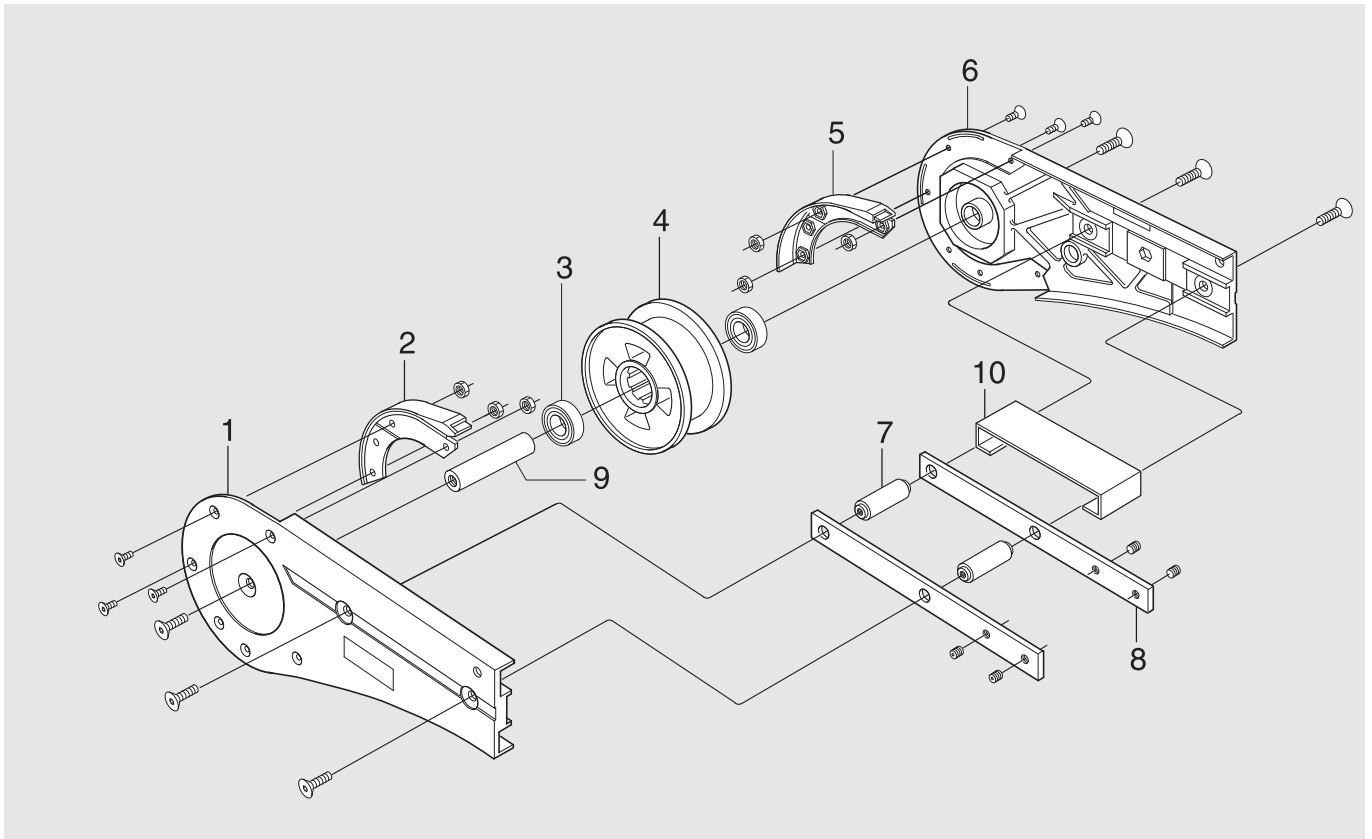
Basic unit – 3925333



Item	Description	Part No	Qty	Comments	Recommended Spare parts
1	Side plate L	3925067	1		
2	Spare parts kit Steering guide	5051421	1	Marked C and D	X
3	Drive wheel kit	5116503	1	Including wheel, shaft, wedge and bearing	X
4	Spare parts kit Steering guide	See item 2		Marked A and B	X
5	Side plate R	3925066	1		
6	Connecting strip	3921123	2		
7	Spacer	3924989	3		
8	Cover plate	3925029	1		

Catenary drive unit

Idler unit – 3925332

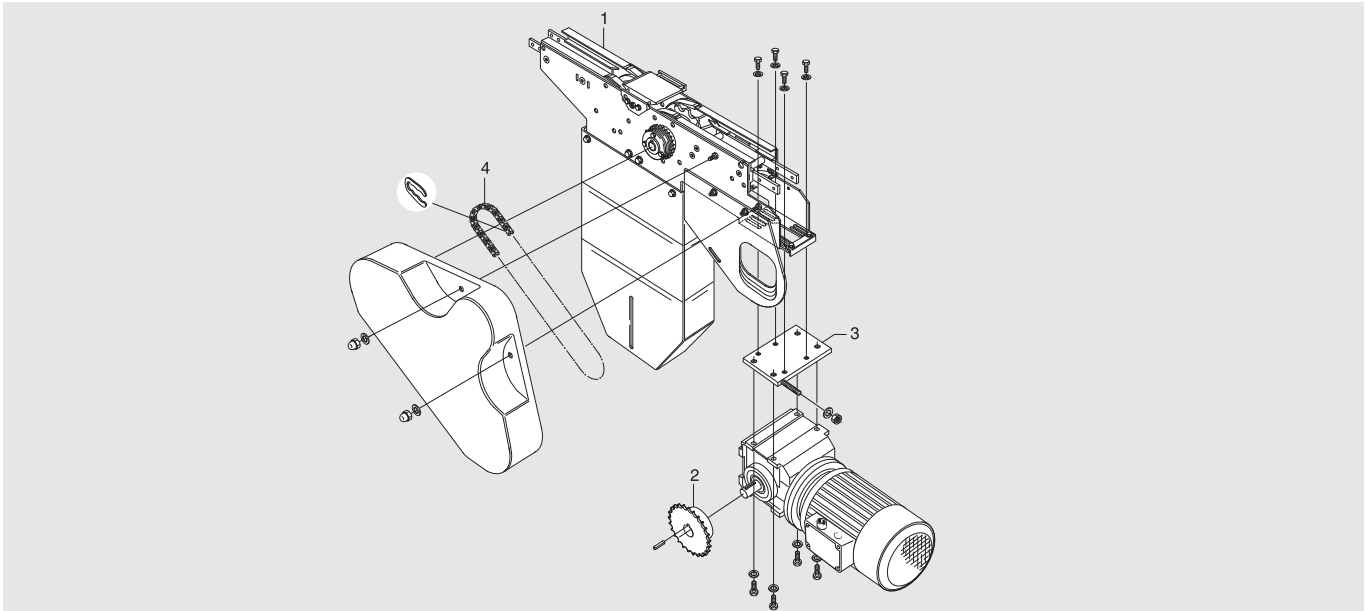


Item	Description	Part No	Qty	Comments	Recommended Spare parts
1	Side plate R	3920208	1		
2	Spare parts kit Steering guide	5051421	1	Marked C and D	X
3	Bearing	6202-2Z	2		
4	Wheel	5111648	1	(3924757)	X
5	Spare parts kit Steering guide	See item 2		Marked A and B	X
6	Side plate L	3920207	1		
7	Spacer	3924989	2		
8	Connecting strip	3921123	2		
9	Shaft	3925001	1		
10	Cover plate	3925029	1		

Catenary drive unit, heavy-duty

Complete unit – XKEC_HL/HR/HLA/HRA

For SEW S47 gearmotor



Item	Description	Part No	Qty	Comments	Recommended Spare parts
1	0-unit (left-hand version)	XKEC 0 HL/HLA	1	See next page for details	
	0-unit (right-hand version)	XKEC 0 HR/HRA	1	See next page for details	
2	Sprocket wheel 5/8" including grub screw		1	See table below	X
3	Adapter plate including bolts and washers, reinforcement plate	3925035	1	For SEW S47 gearmotor	
	Adapter plate	3924455	1	Blind adapter plate	
4	Transmission chain 5/8" incl. connecting link	3925957	1	ISO/R- 1967- 08B- 1 (ISO)	X
	Transmission chain 5/8" incl. connecting link	5044980		ISO/R- 1967- 08A- 1 (ANSI)	X

Important

Items 2-4 must be ordered separately when ordering a 0-unit (item 1). The sprocket wheel (item 2) should be specified in accordance with the following table:

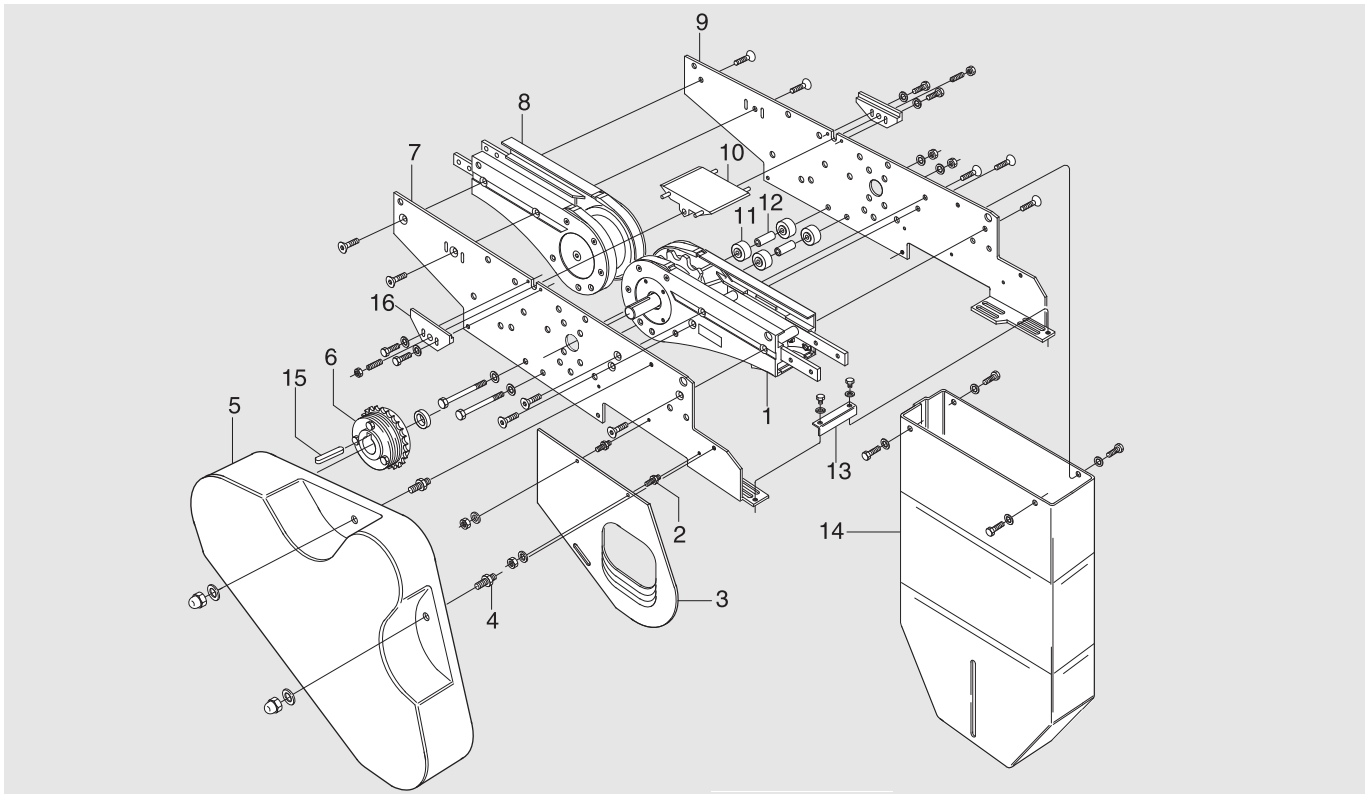
Sprocket wheel 5/8"	Part No (SEW)
z ₁ =15	3925259
z ₁ =17	3925260
z ₁ =19	3925261
z ₁ =21	3925262
z ₁ =23	3925263
z ₁ =25	3925264
z ₁ =15 ANSI	5044972
z ₁ =17 ANSI	5044973
z ₁ =19 ANSI	5044974
z ₁ =21 ANSI	5044975
z ₁ =23 ANSI	5044976
z ₁ =25 ANSI	5044977
z ₂ =25 ANSI	5045367

Adapter plate

Item 3 (adapter plate) includes an adapter plate reinforcement plate and two reinforcement strips for the connection of the drive unit to the conveyor beam.

Catenary drive unit, heavy-duty

0-unit – XKEC 0 HL/HR/HLA/HRA



Item	Description	Part No	Qty	Comments	Recommended Spare parts
1	Basic unit (left-hand version)	3925333	1	See Page 20 for details	
	Basic unit (right-hand version)	3925334	1	See Page 20 for details	
2*	Distance screw	(3904862)	2	See kit below	
3	Chain guard	3925069	1		
4*	Distance screw	(3904855)	2	See kit below	
5	Transmission cover	3925068	1		
6	Slip clutch Ø25 mm	5054001	1	ISO, 5/8"	X
	Slip clutch Ø25 mm	5054002	1	ANSI, 5/8"	X
7	Motor bracket L	3925027	1		
8	Idler unit	3925332	1	See Page 21 for details	
9	Motor bracket R	3925028	1		
10	Bridge	3905610	1		
11	Wheel	3920087	4		
12	Distance pipe	3920010	2		
13	Adjusting block	3924287	1		
14	Cover	3925336	1		
15	Thin parallel key	8x7-63	1	DIN 6885A h9	
16	Adjustment plate	5043154	2		
*) 2	Distance screw kit	5111600	1	Kit contains 10 pcs	
*) 4	Distance screw kit	5111599	1	Kit contains 10 pcs	

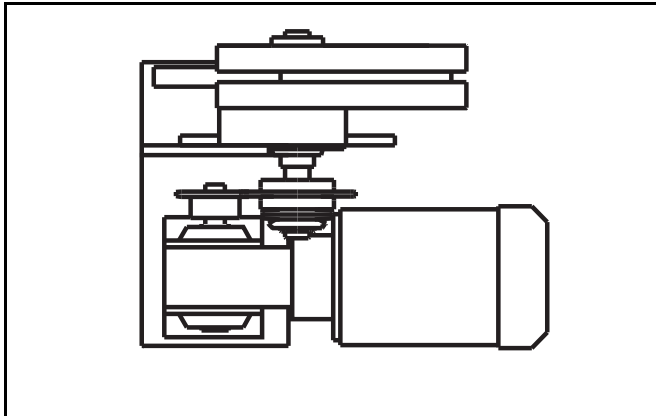
Spare parts Horizontal bend drive unit - XK



Technical information from FlexLink

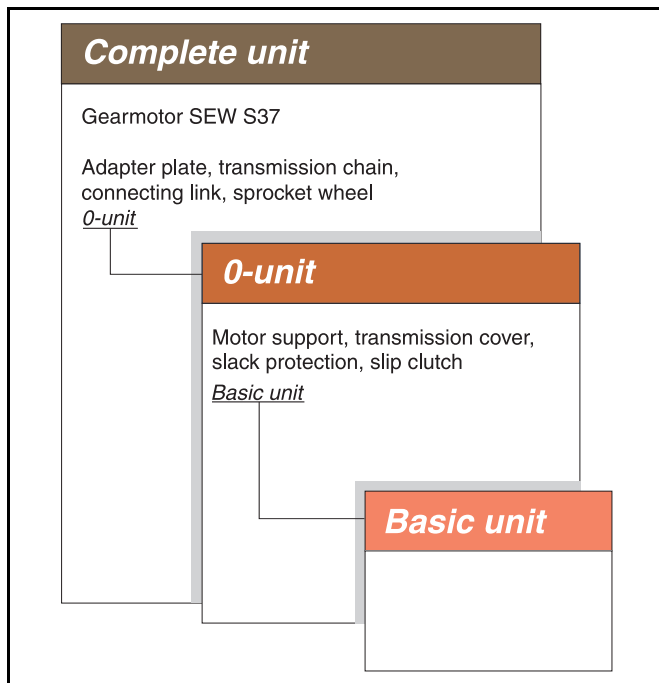
XK004-E1

Horizontal bend drive unit - XK



Revision list

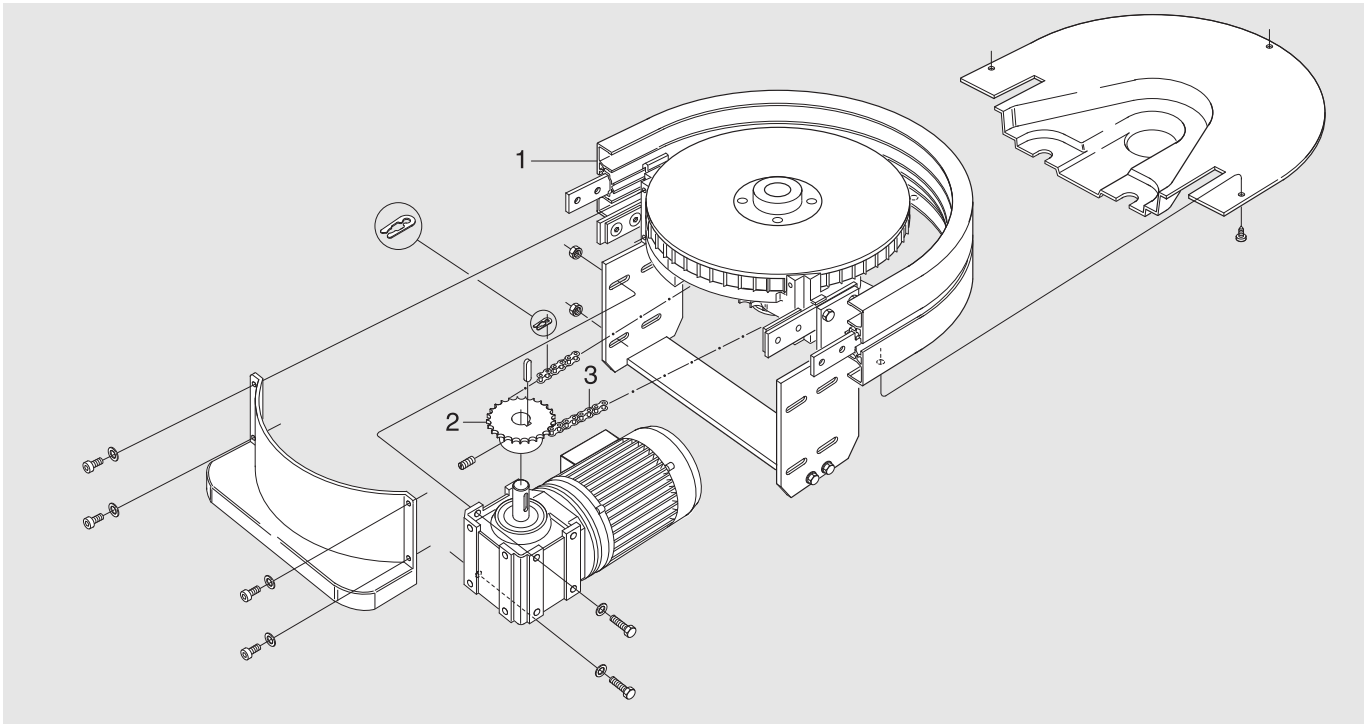
Document designation	Date	Type of revision	Entered by
XK004-E1	98-10-14	New version	Enator Inforum



Horizontal bend drive unit

Complete unit – XKEW 180/_H/HA

For SEW S37 gearmotor



Item	Description	Part No	Qty	Comments	Recommended Spare parts
1	0-unit	XKEW 180/0 H/HA	1	See next page for details	
2	Sprocket wheel 1/2" including grub screw		1	See table below	X
	Motor alternative, see Drive unit guide 5014				
3	Transmission chain 1/2" including connecting link	3921638	1	ISO/R- 1967- 08B- 1 (ISO)	X
	Transmission chain 1/2" including connecting link	5044948	1	ISO/R- 1967- 08A- 1 (ANSI)	X

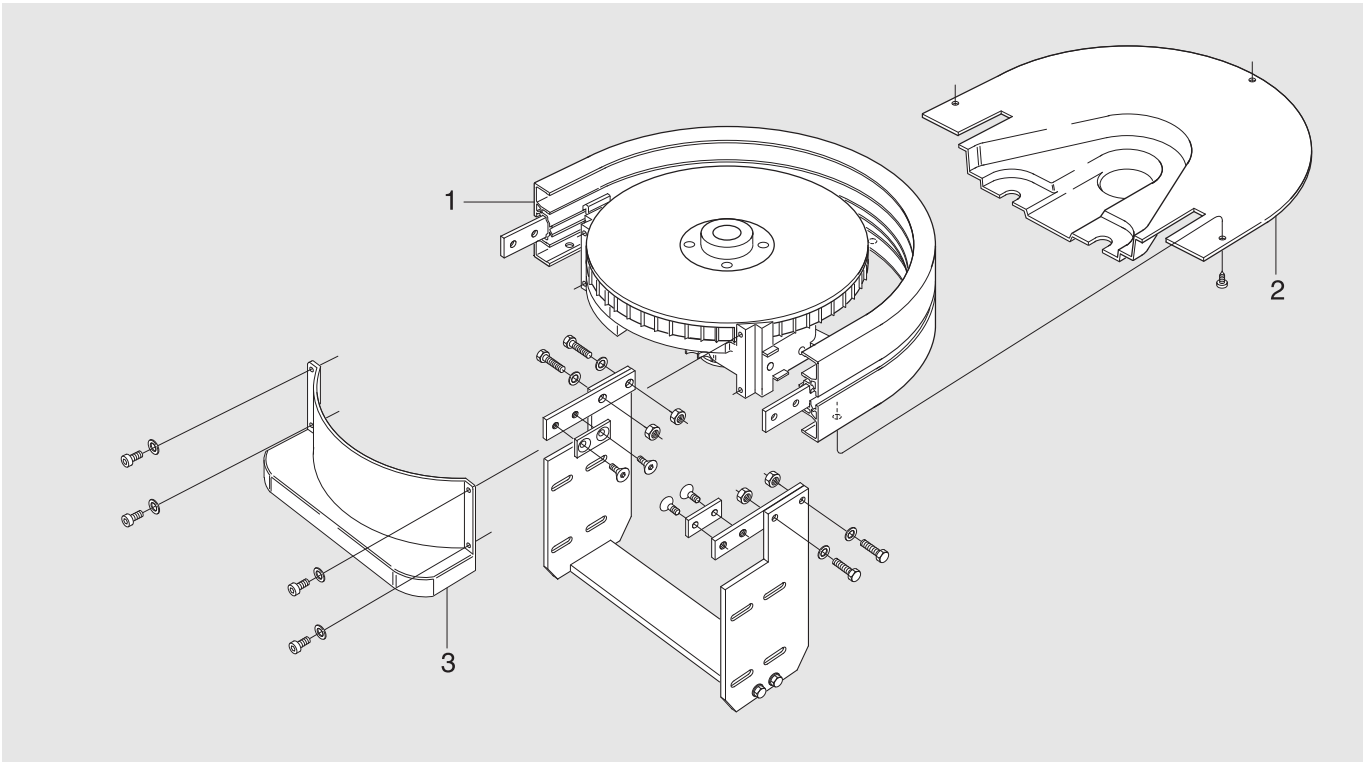
Important

Items 2-4 must be ordered separately when ordering a 0-unit (item 1). The sprocket wheel (item 2) should be specified in accordance with the following table:

Sprocket wheel 1/2"	Part No (SEW)
z ₁ =19	3924438
z ₁ =21	3924439
z ₁ =23	3924440
z ₁ =25	3921258
z ₁ =15 ANSI	5044935
z ₁ =17 ANSI	5044936
z ₁ =19 ANSI	5044937
z ₁ =21 ANSI	5044938
z ₁ =23 ANSI	5044939
z ₁ =25 ANSI	5044940

Horizontal bend drive unit

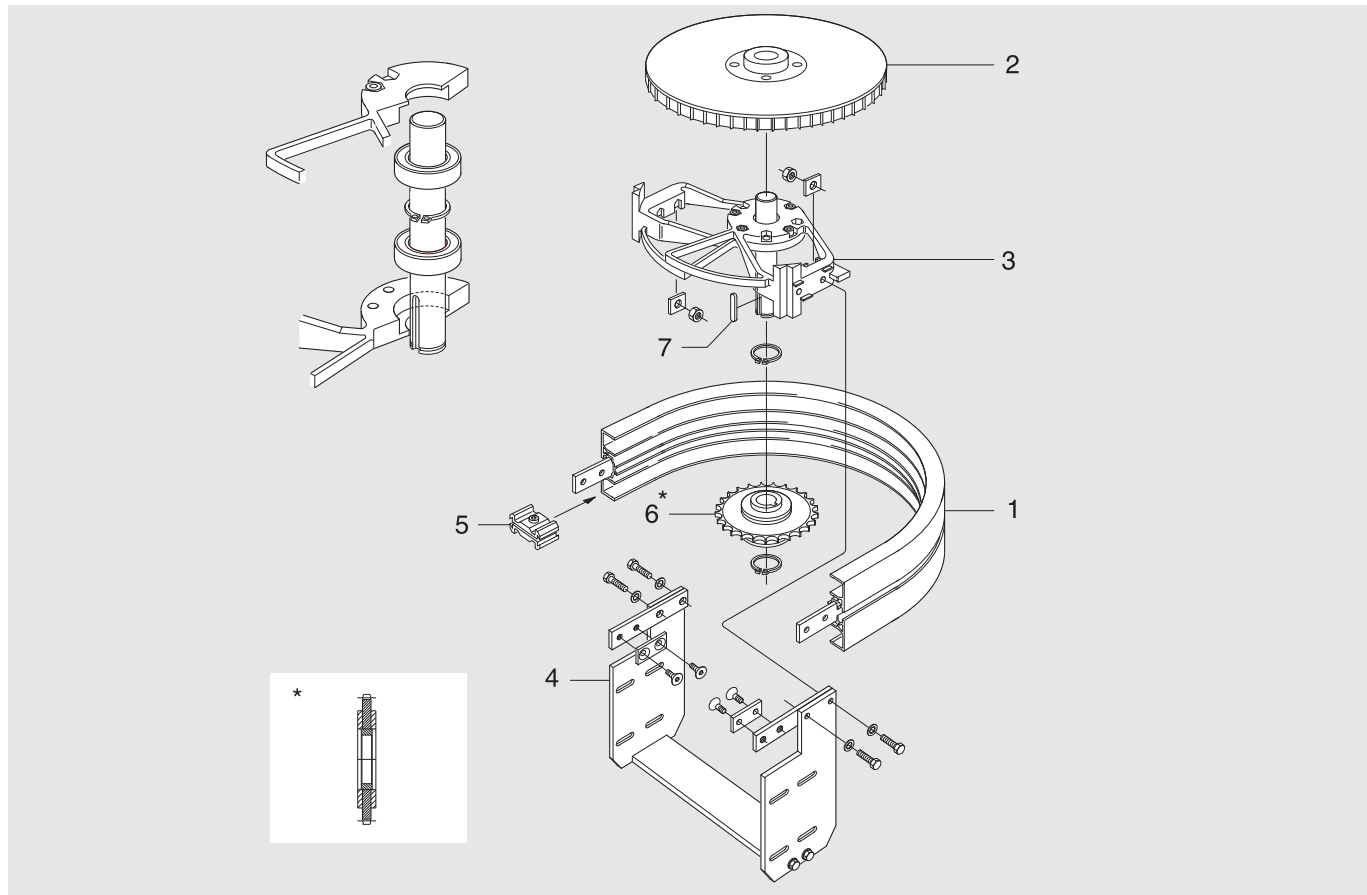
0-unit – XHEW 180/0 H/HA



Item	Description	Part No	Qty	Comments	Recommended Spare parts
1	Basic unit	XKEW 180/0 U	1	See next page for details	
2	Transmission cover	3925869	1		
3	Cover	3925868	1		

Horizontal bend drive unit

Basic unit – XKEW 180/0 U

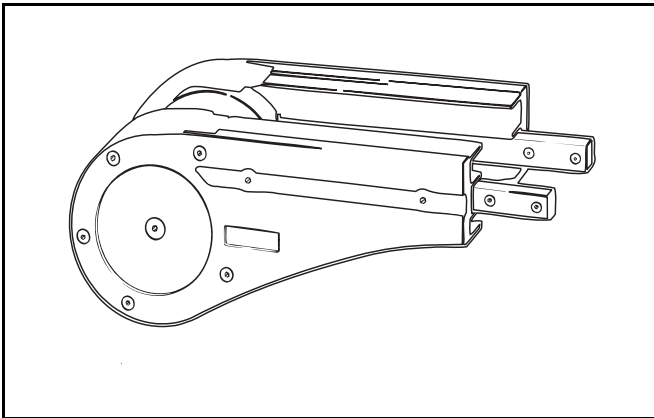


Item	Description	Part No	Qty	Comments	Recommended Spare parts
1	Outer horizontal bend	XKBE 180R200	1		
2	Drive wheel	3925764	1		X
3	Bracket	3925995	1	Including shaft and bearing	
4	Motor bracket	3925996	1		
5	Joint piece	XKCE 55×30	2		
6	Slip clutch	5053981	1		X
7	Thin parallel key	8×7–50	1	DIN 6885 A h9	
* Spare part kits for slip clutch with friction discs:					X
	Sprocket wheel, bushing and friction discs	5056817	1		

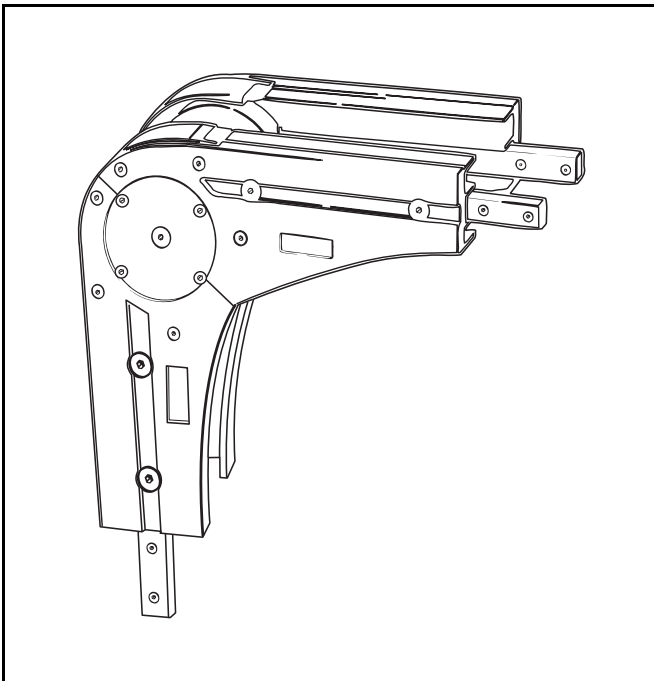


Idler unit - XK

Revision list

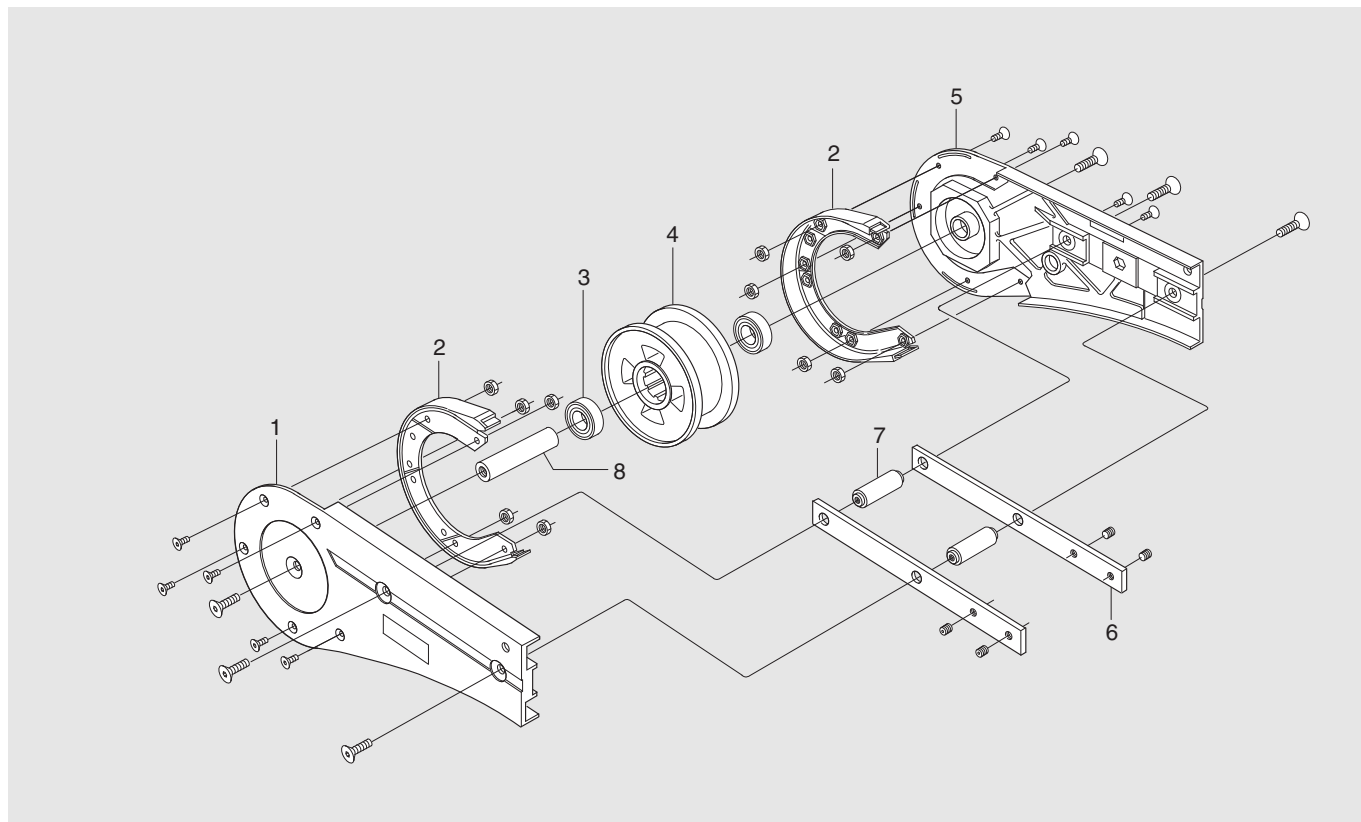


Document designation	Date	Type of revision	Entered by
XK005-E1	98-10-14	New version	Enator Inforum
XK005-E2	00-05-15	P. 3 Part No changed	AerotechTelub
XK005-E3	08-10-23	Spare part kits added	JE
XK005-E4	09-03-19		JE
XK005-E5	10-02-12	Page 2 updated	JE



Idler unit

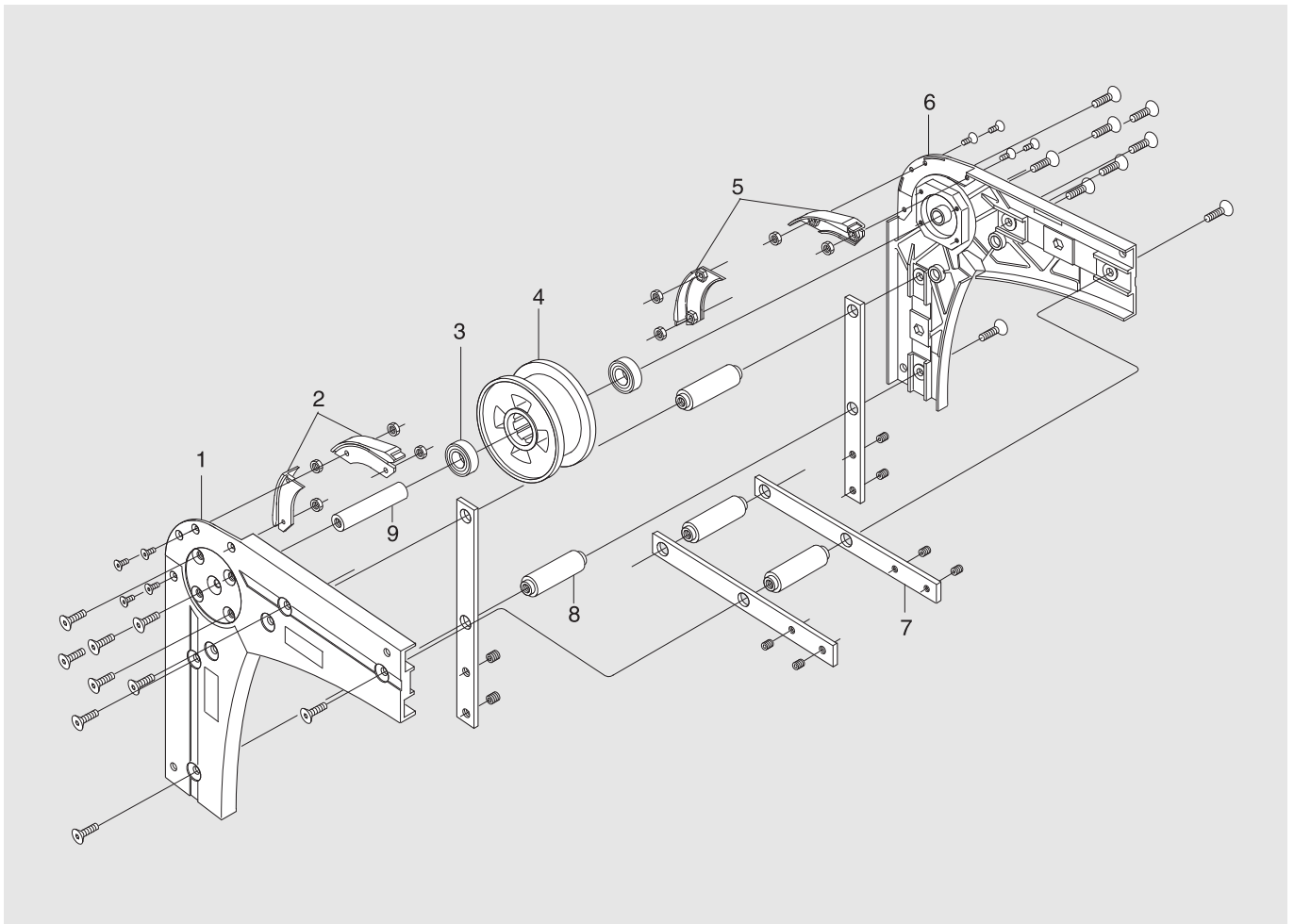
Idler end unit – XKEJ 350



Item	Description	Part No	Qty	Comments	Recommended Spare parts
1	Side plate R	3920208	1		
2	Steering guide	5051421	2		X
3	Bearing	6202-2Z	2		
4	Idler wheel	5111648	1		
5	Side plate L	3920207	1		
6	Connecting strip	3921123	2		
7	Spacer	3924989	2		
8	Shaft	3925001	1		

Idler unit

Idler bend unit – XKEK 90R70



Item	Description	Part No	Qty	Comments	Recommended Spare parts
1	Side plate R	3925863	1		
2	Spare parts kit Steering guide	5051421	1		X
3	Bearing	6202-2Z	2		
4*	Wheel	(3924757)	1	See kit below	
5	Spare parts kit Steering guide	See item 2	1		X
6	Side plate L	3925864	1		
7	Connecting strip	3921123	4		
8	Spacer	3924989	4		
9	Shaft	3925001	1		
*) 4	Wheel	5111648	1		X

Spare parts X_BH

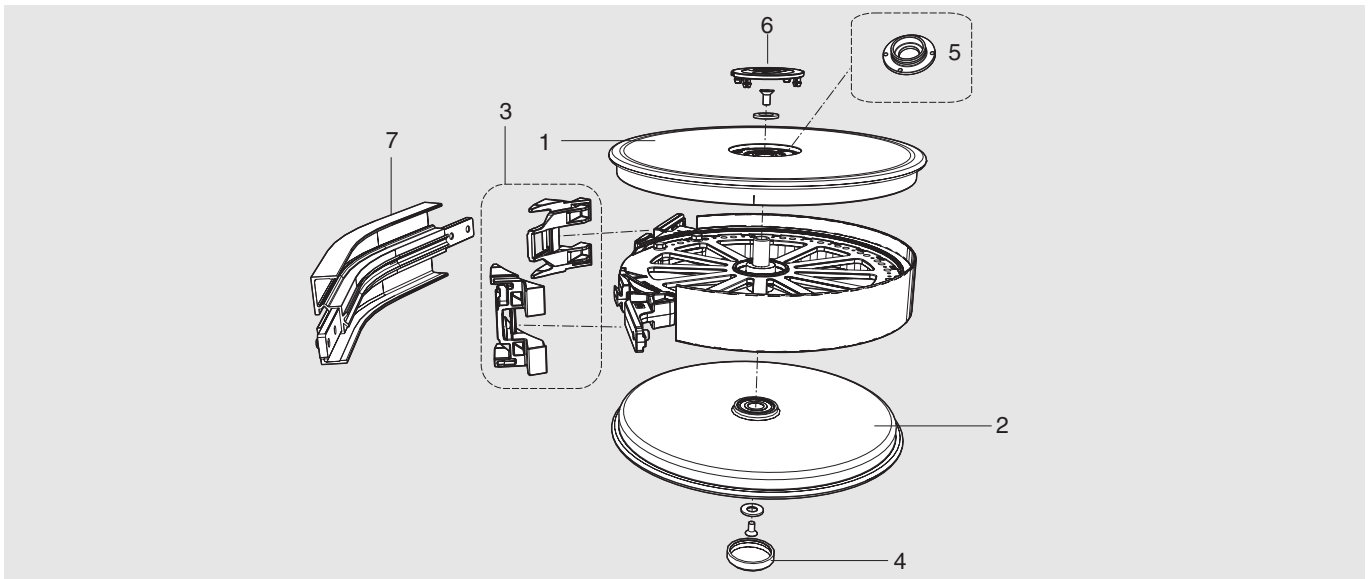


a coesia company

5392EN-4

Wheel bends XSBH-, XLBH-, XBBH-, XMBH-, XHBH-, XKBH-, XTBH-

Complete wheel bend



Item	Description	Part no							Recommended Spare parts
		XS	XL type A	X85	XM type A	XH type A	XK	XT	
1	Wheel disc* (upper)	3902168	5059247	5059247	5059247	5059247	3924966	5059247	
2	Wheel disc* (lower)	3902168	5059244	5059244	5059244	5059244	3924966	5059244	
3	Guides kit**	n.a.	5059235 (2pcs of 5057693)	5110507 (2pcs of 5059483)	5059236 (2pcs of 5057694)	5059237 (2pcs of 5057695)	n.a.	n.a.	X
4	Wheel cover	3901120	3901120	3901120	3901120	3901120	n.a.	3901120	
5	Adapter kit	n.a.	5058559	5058559	5058559	5058559	n.a.	5058559	
6	Wheel cover	5057697	5057697	5057697	5057697	5057697	n.a.	5057697	
7	Outer bend	XSBE 30R150	XLBE 30R150	XBBE 30A85R160	XMBE 30R160	XHBE 30R170	XKBE 30R200		
7	Outer bend	XSBE 45R150	XLBE 45R150	XBBE 45A85R160	XMBE 45R160	XHBE 45R170	XKBE 45R200		
7	Outer bend		XLBE 60R150		XMBE 60R160	XHBE 60R170			
7	Outer bend	XSBE 90R150	XLBE 90R150	XBBE 90A85R160	XMBE 90R160	XHBE 90R170	XKBE 90R200		
7	Outer bend	XSBE 180R150	XLBE 180R150	XBBE 180A85R160	XMBE 180R160	XHBE 180R170	XKBE 180R200		
7	Outer bend			XBBE EA85R160					
*	Including bearings								
**	One pair								

This page is intentionally left blank



Revision list

Document designation	Date	Type of revision	Entered by
PH005-E3	11-07-27	VP-FM, Rek SP	JE

*Content:***Pallet diverter kits, type A**

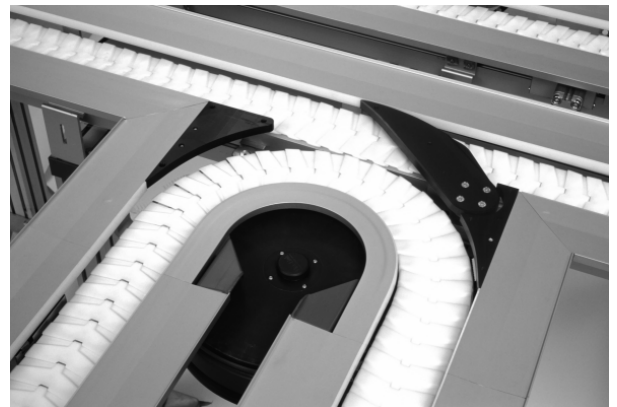
XKPJ 45 DLA/DRA, XKPJ 45 DLWA/DRWA
Diverter XKPJ 90 DLA/DRA, XKPJ 90 DLWA/DRWA

**Pallet merge kits, type A**

XKPJ 45 MLA/MRA, XKPJ 45 MLWA/MRWA
XKPJ 90 MLA/MRA, XKPJ 90 MLWA/MRWA

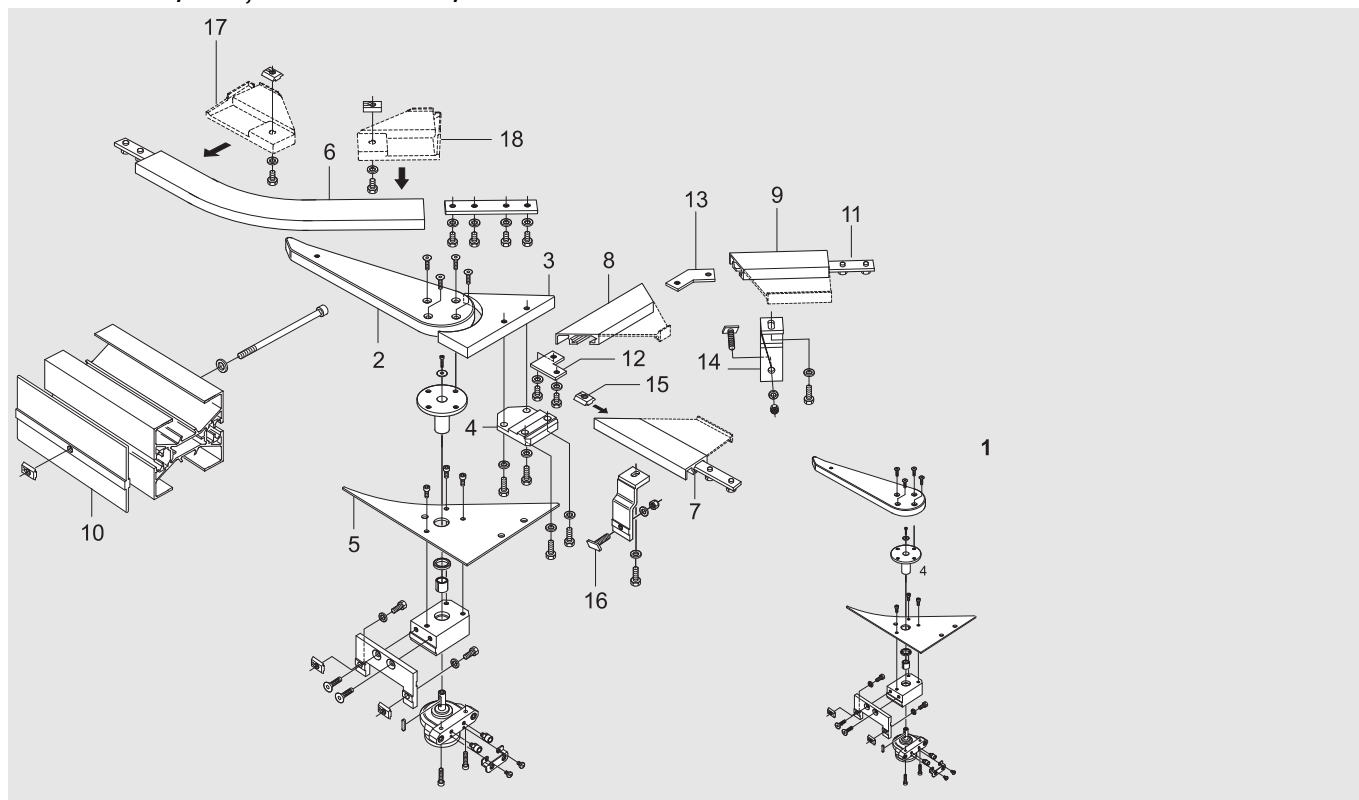
**Combined pallet divert/merge kits, type A**

XKPJ 45 CLA/CRA, XKPJ 90 CLWA/CRWA
XKPJ 90 CLA/CRA, XKPJ 90 CLWA/CRWA



Pallet diverter kits, type A

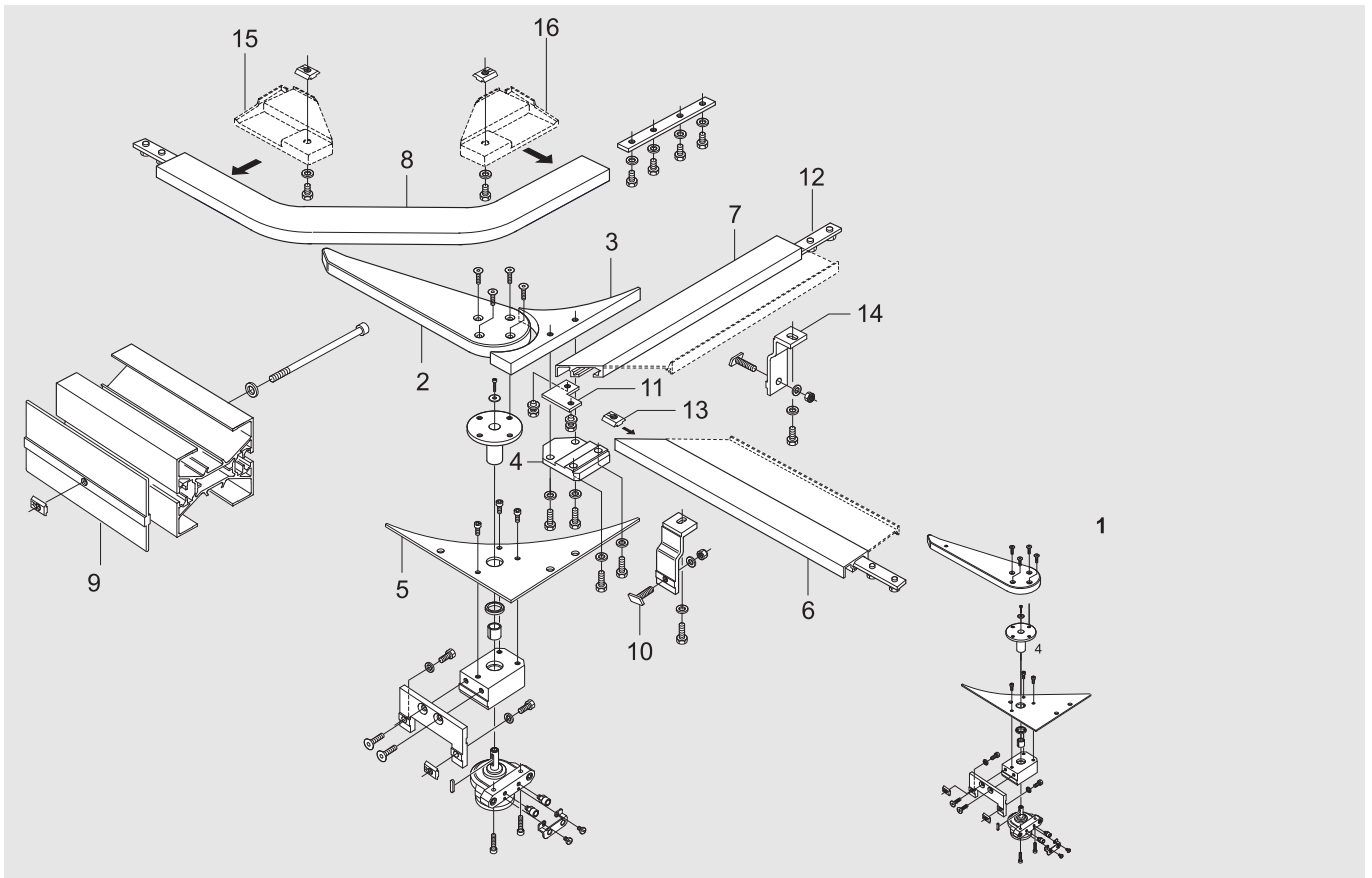
XKPJ 45 DLA/DRA, XKPJ 45 DLWA/DRWA



Item	Description	Part No	Qty	Comments	Recommended Spare parts
1	Revolving module (XKPJ 45 DLA)	5046318	1	Incl. cylinder Festo DSR-16-180-P	X
	Revolving module (XKPJ 45 DRA)	5046319	1	Incl. cylinder Festo DSR-16-180-P	X
2	Arm	5043395	1	Included in item 1	X
3	Side guide	5043800	1		
4	Bracket	5043335	1		
5	Cover	5043854	1	Included in item 1	
6	Inner guide rail	5044647	1		
7	Guide rail (XKPJ 45 DLA/DRA)	5044117/5044116	1		
	Guide rail (XKPJ 45 DLWA/DRWA)	5044663/5044664	1		
8	Guide rail (XKPJ 45 DLA/DRA)	5044121/5044120	1		
	Guide rail (XKPJ 45 DLWA/DRWA)	5044667/5044668	1		
9	Guide rail (XKPJ 45 DLA/DRA)	5044119/5044118	1		
	Guide rail (XKPJ 45 DLWA/DRWA)	5044665/5044666	1		
10	Spacer	5044640	1		
11	Connecting strip	3924977	2		
12	Corner fitting	3903357	1		
13	Corner fitting	3903356	1		
14	Guide rail bracket	XKRB 30x74	2		
15	Nut	XLAQ 8	4	(6 pcs. with DLWA, DRWA)	
16	T-bolt	XLAT 17	2		
17	Protective cover L	5044969	1		
18	Protective cover R	5044970	1		

Pallet diverter kits, type A

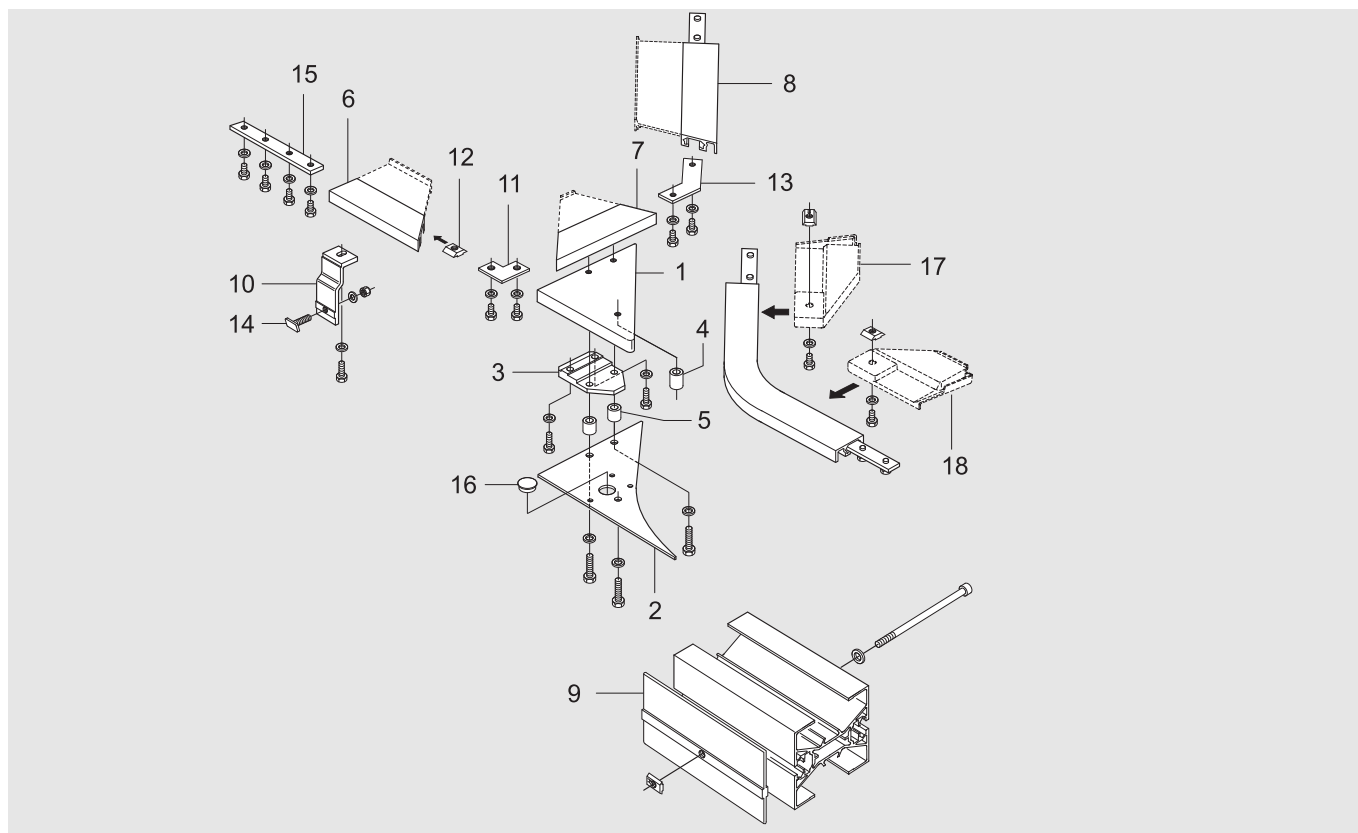
XKPJ 90 DLA/DRA, XKPJ 90 DLWA/DRWA



Item	Description	Part No	Qty	Comments	Recommended Spare parts
1	Revolving module (XKPJ 90 DLA)	5046314	1	Incl. cylinder Festo DSR-16-180-P	X
	Revolving module (XKPJ 90 DRA)	5046315	1	Incl. cylinder Festo DSR-16-180-P	X
2	Arm	5043395	1	Included in item 1	X
3	Side guide	5043336	1		
4	Bracket	5043335	1		
5	Cover	5043855	1	Included in item 1	
6	Guide rail (XKPJ 90 DLA/DRA)	5043332	1		
	Guide rail (XKPJ 90 DLWA/DRWA)	5043334	1		
7	Guide rail (XKPJ 90 DLA/DRA)	5043331	1		
	Guide rail (XKPJ 90 DLWA/DRWA)	5043333	1		
8	Inner guide rail	5044646	1		
9	Spacer	5044640	1		
10	T-bolt	XLAT 17	2		
11	Corner fitting	3903357	1		
12	Connecting strip	3924977	2		
13	Nut	XLAQ 8	4	(6 pcs with DLWA, DRWA)	
14	Guide rail bracket	XKRB 30x74	2		
15	Protective cover L	5044969	1		
16	Protective cover R	5044970	1		

Pallet merge kits, type A

XKPJ 45 MLA/MRA, XKPJ 45 MLWA/MRWA

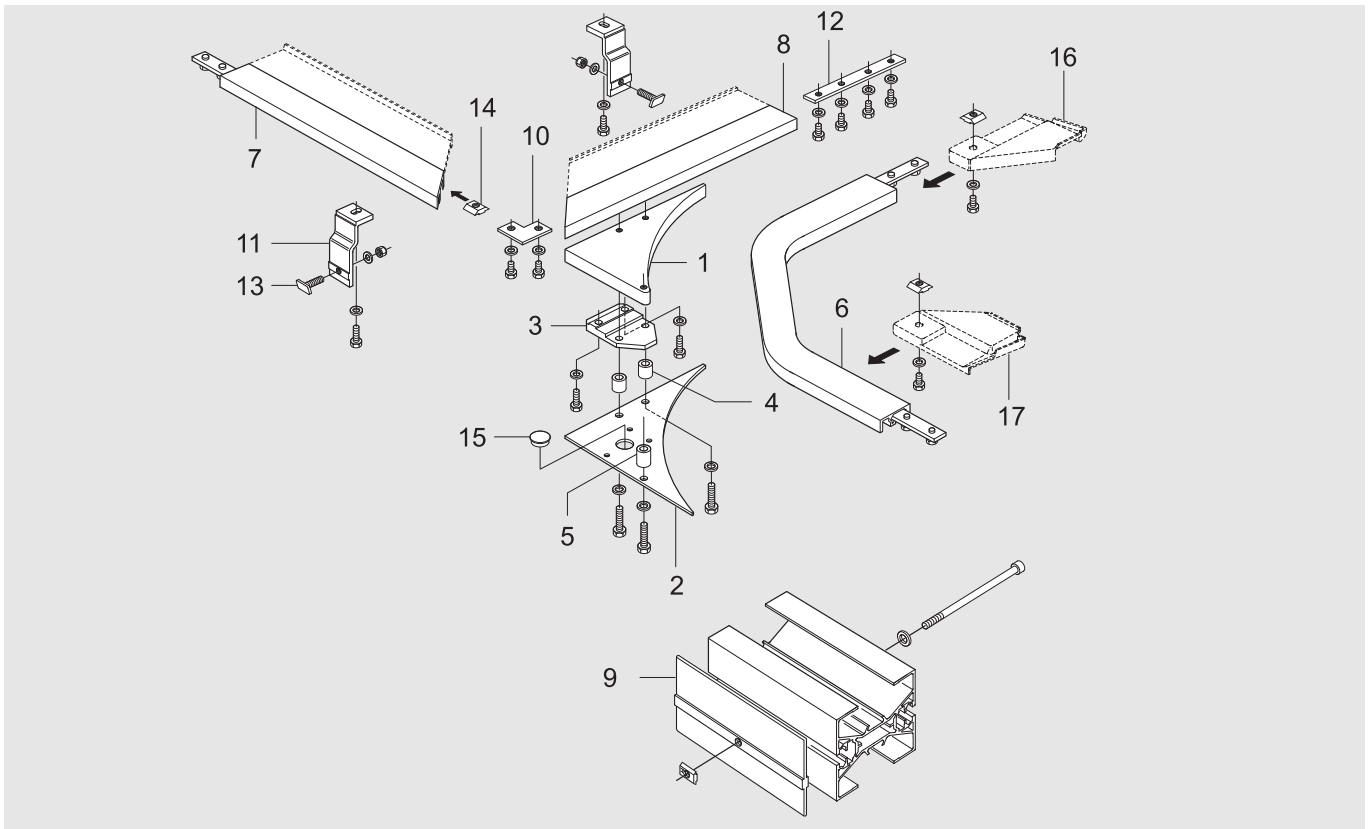


Item	Description	Part No	Qty	Comments	Recommended Spare parts
1	Side guide	5043396	1		
2	Cover	5043854	1		
3	Bracket	5043335	1		
4	Spacer	5046286	1		
5	Spacer	5046289	2		
6	Guide rail (XKPJ 45 MLA/MRA)	5044116/5044117	1		
	Guide rail (XKPJ 45 MLWA/MRWA)	5044664/5044663	1		
7	Guide rail (XKPJ 45 MLA/MRA)	5044120/5044121	1		
	Guide rail (XKPJ 45 MLWA/MRWA)	5044668/5044667	1		
8	Guide rail (XKPJ 45 MLA/MRA)	5044118/5044119	1		
	Guide rail (XKPJ 45 MLWA/MRWA)	5044666/5044665	1		
9	Spacer	5044640	1		
10	Guide rail bracket	XKRB 30x74	2		
11	Corner fitting	3903357	1		
12	Nut	XLAQ 8	4	(6 pcs with MLWA, MRWA)	
13	Corner fitting	3903356	1		
14	T-bolt	XLAT 17	2		
15	Connecting strip	XLCJ 5x140	2		
16	Cover plug	5044771	1		
17	Protective cover L	5044969	1		
18	Protective cover R	5044970	1		

<http://www.flexlink.com>

Pallet merge kits, type A

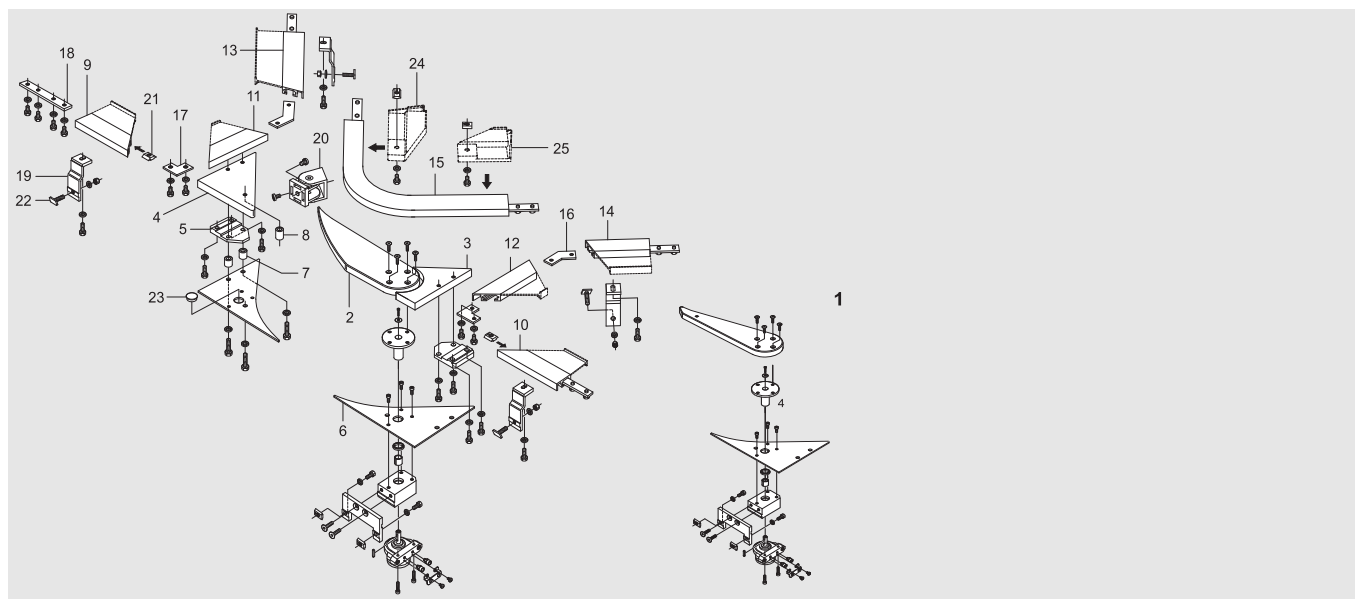
XKPJ 90 MLA/MRA, XKPJ 90 MLWA/MRWA



Item	Description	Part No	Qty	Comments	Recommended Spare parts
1	Side guide	5043337	1		
2	Cover	5043855	1		
3	Bracket	5043335	1		
4	Spacer	5046286	2		
5	Spacer	5046289	1		
6	Inner guide rail	5044646	1		
7	Guide rail (XKPJ 90 MLA/MRA)	5043331	1		
	Guide rail (XKPJ 90 MLWA/MRWA)	5043333	1		
8	Guide rail (XKPJ 90 MLA/MRA)	5043332	1		
	Guide rail (XKPJ 90 MLWA/MRWA)	5043334	1		
9	Spacer	5044640	1		
10	Corner fitting	3903357	1		
11	Guide rail bracket	XKRB 30x74	2		
12	Connecting strip	3924977	2		
13	T-bolt	XLAT 17	2		
14	Nut	XLAQ 8	4	(6 pcs with MLWA, MRWA)	
15	Cover plug	5044771	1		
16	Protective cover L	5044969	1		
17	Protective cover R	5044970	1		

Combined pallet divert/merge kits, type A

XKPJ 45 CLA/CRA, XKPJ 90 CLWA/CRWA

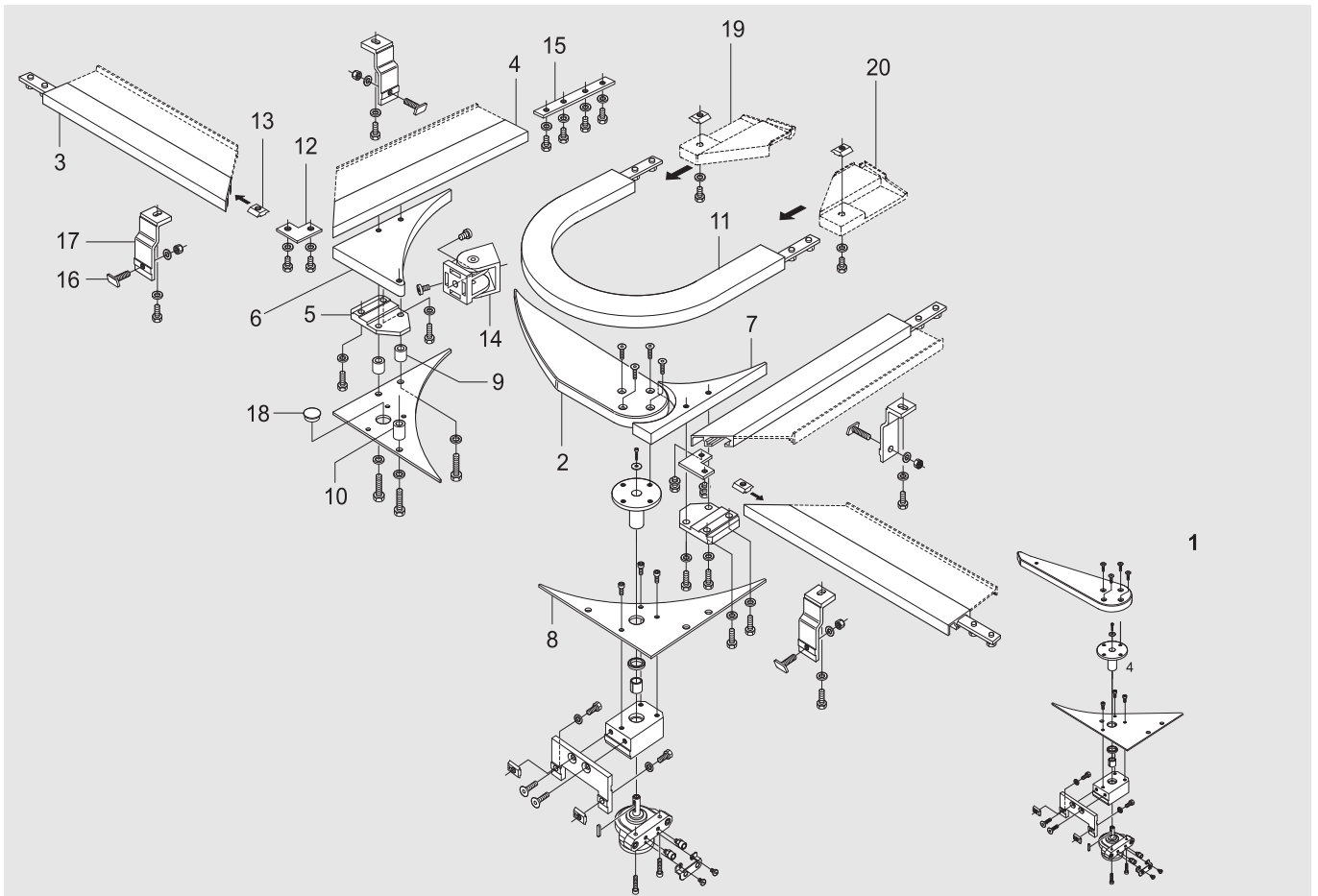


Item	Description	Part No	Qty	Comments	Recommended Spare parts
1	Revolving module (XKPJ 45 CLA)	5046320	1	Incl. cylinder Festo DSR-16-180-P	X
	Revolving module (XKPJ 45 CRA)	5046321	1	Incl. cylinder Festo DSR-16-180-P	X
2	Arm	5043330	1	Included in item 1	X
3	Side guide	5043800	1		
4	Side guide	5043396	1		
5	Bracket	5043335	2		
6	Cover	5043854	2	Included in item 1	
7	Spacer	5046289	2		
8	Spacer	5046286	1		
9	Guide rail (XKPJ 45 CLA/CRA)	5044116	1		
	Guide rail (XKPJ 45 CLWA/CRWA)	5044664	1		
10	Guide rail (XKPJ 45 CLA/CRA)	5044117	1		
	Guide rail (XKPJ 45 CLWA/CRWA)	5044663	1		
11	Guide rail (XKPJ 45 CLA/CRA)	5044120	1		
	Guide rail (XKPJ 45 CLWA/CRWA)	5044667	1		
12	Guide rail (XKPJ 45 CLA/CRA)	5044121	1		
	Guide rail (XKPJ 45 CLWA/CRWA)	5044668	1		
13	Guide rail (XKPJ 45 CLA/CRA)	5044118	1		
	Guide rail (XKPJ 45 CLWA/CRWA)	5044666	1		
14	Guide rail (XKPJ 45 CLA/CRA)	5044119	1		
	Guide rail (XKPJ 45 CLWA/CRWA)	5044665	1		
15	Inner guide rail	3927168	1		
16	Corner fitting	3903356	2		
17	Corner fitting	3903357	2		
18	Connecting strip	3924977	4		
19	Guide rail bracket	XKRB 30x74	4		
20	Joint	XCFJ 44 F	1		
21	Nut	XCAN 8	8	(10 pcs with CLWA, CRWA)	
22	T-bolt	XLAT 17	4		
23	Cover plug	5044771	1		
24	Protective cover L	5044969	1		
25	Protective cover R	5044970	1		

<http://www.flexlink.com>

Combined pallet divert/merge kits, type A

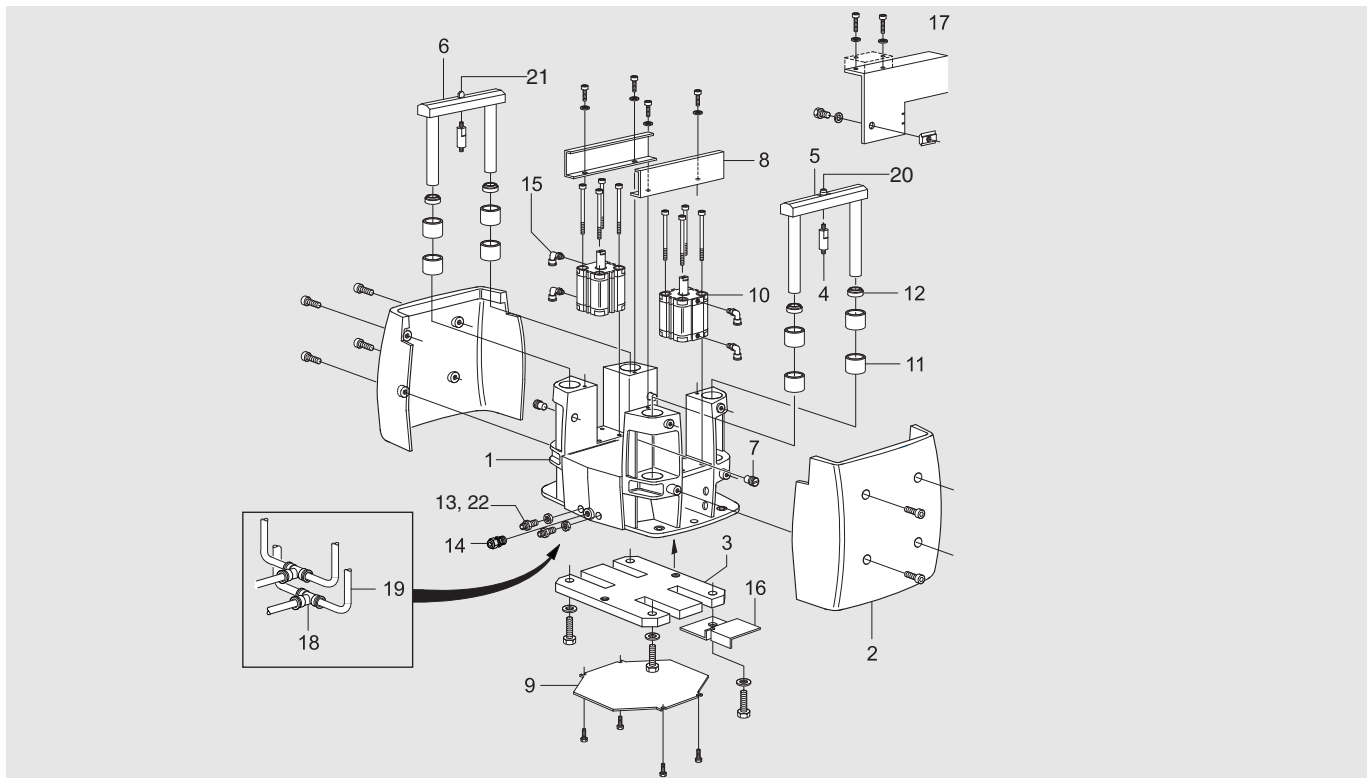
XKPJ 90 CLA/CRA, XKPJ 90 CLWA/CRWA



Item	Description	Part No	Qty	Comments	Recommended Spare parts
1	Revolving module (XKPJ 90 CLA)	5046316	1	Incl. cylinder Festo DSR-16-180-P	X
	Revolving module (XKPJ 90 CRA)	5046317	1	Incl. cylinder Festo DSR-16-180-P	X
2	Arm	5043330	1	Included in item 1	X
3	Guide rail (XKPJ 90 CLA/CRA)	5043332	2		
	Guide rail (XKPJ 90 CLWA/CRWA)	5043334	2		
4	Guide rail (XKPJ 90 CLA/CRA)	5043331	2		
	Guide rail (XKPJ 90 CLWA/CRWA)	5043333	2		
5	Bracket	5043335	2		
6	Side guide	5043337	1		
7	Side guide	5043336	1		
8	Cover	5043855	2	Included in item 1	
9	Spacer	5046289	2		
10	Spacer	5046286	1		
11	Inner guide rail	3927167	1		
12	Corner fitting	3903357	2		
13	Nut	XCAN 8	8	(10 pcs with XLWA, CRWA)	
14	Joint	XCFJ 44 F	1		
15	Connecting strip	3924977	4		
16	T-bolt	XLAT 17	4		
17	Guide rail bracket	XKRB 30x74	4		
18	Cover plug	5044771	1		
19	Protective cover L	5044969	1		
20	Protective cover R	5044970	1		

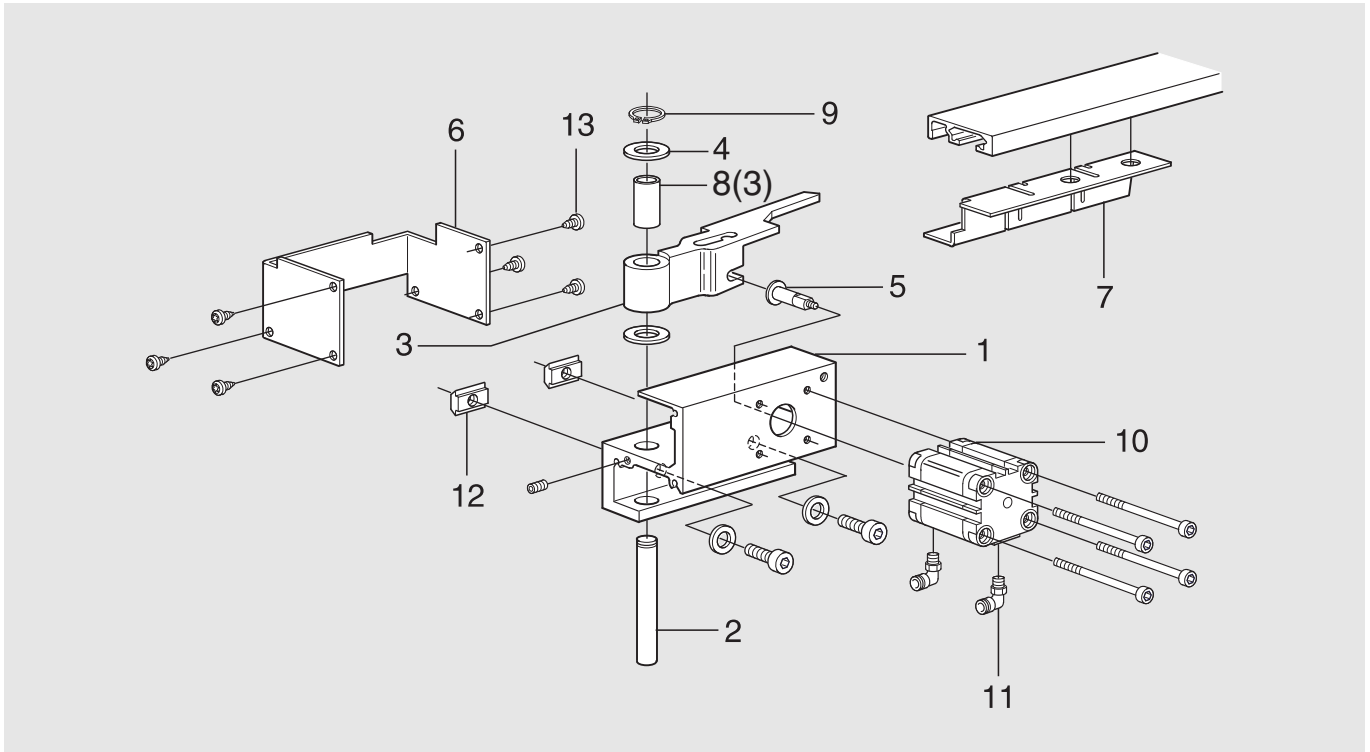


Pallet locating station and pallet stop, type A, XKPX 175 A



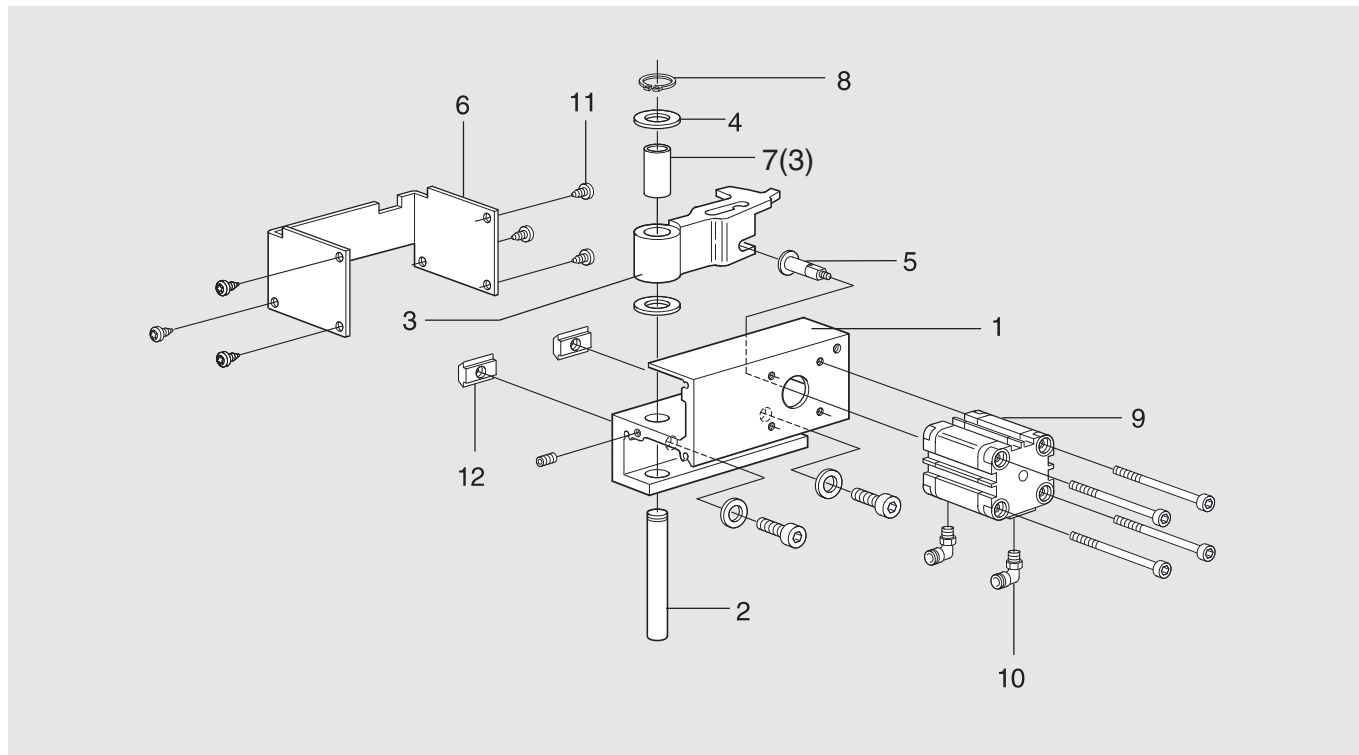
Item	Description	Part No	Qty	Comments	Recommended Spare parts
1	Frame	3926590	1		
2	Cover	3926591	2		
3	Plate	3926593	1		
4	Axle peg	3926596	2	Loctite or similar	
5	Ruler assy	3927411	1	Includes item 20	
6	Ruler assy	3927412	1	Includes item 21	
7	Guide screw	3926599	4		
8	Shield	5044839	2		
9	Cover	3927340	1		
10	Pneumatic cylinder	ADVU-40-25-P-A	2	Festo	X
11	Bushing	SS 2991 777 25/30x20	8	ISO 2795 - 25/30x20	
12	Rod wiper	8825-25-35-7-10 NBR/101	4	Simrit	
13	Bulkhead connector	QSSF-1/8-6-B	2	Festo	
14	Cable fitting	ELFA 55-019-60	1	PG 11, Hummel prt no: 1.209.1100.14	
15	L-fitting	QSML-1/8-6	4	Festo	
16	Sensor plate	5044851	1	Incl. screws and washers	
17	Attachment	5044799	1	Incl. screws and washers	
18	T-connector	QSMT-6	2	Festo	
19	Plastic tubing	PUN-6x1	1	L=0,5 m Festo	
20	Locating pin (round)	5056122	1	(also included in item 5)	
21	Locating pin (flattened)	5056123	1	(also included in item 6)	
22	Check valve	GRLA-1/8-QS-6-D	2	Festo	

Pallet locating station and pallet stop, type A/B, XKPD 32x15 LA/LB



Item	Description	Part No	Qty	Comments	Recommended Spare parts
1	Attachment	5044790	1		
2	Shaft	3926473	1		
3	Arm	3927339	1	Includes item 8	
4	Washer	3926474	2		
5	Piston rod end	3921314	1	Loctite or similar	
6	Cover	3927138	1		
7	Cover	3927137	1		
8	Radial bearing	GLY.PG 1618 25 F	1	See item 3	
9	Retaining ring	SgA 16	1		
10	Pneumatic cylinder	ADVU 32-15-P-A	1	Festo (XKPD 32x15 LA)	X
	Pneumatic cylinder	AEVUZ 32-15-P-A	1	Festo (XKPD 32x15 LB)	
11	L-fitting	QSML-1/8-6	2	Festo	
12	Slot nut	XCAN 8	2		
13	Screw	RXS-Z ST 4,2x6,5	6	Loctite or similar	

Pallet stop device, type A/B, XKPD 32x15 A/B

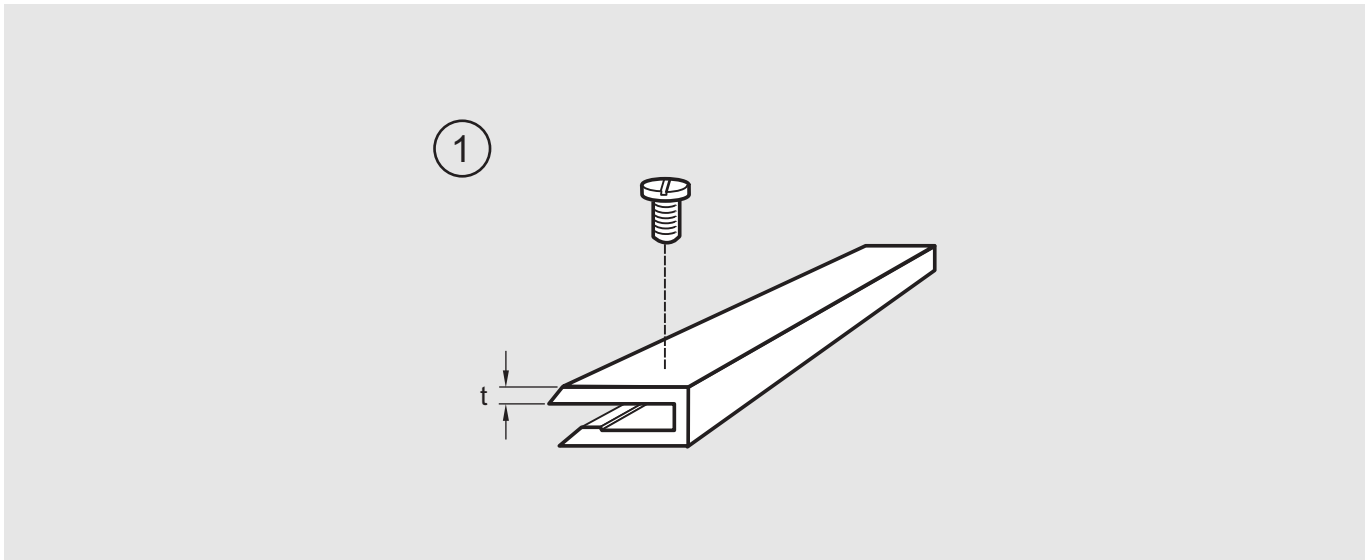


Item	Description	Part No	Qty	Comments	Recommended Spare parts
1	Attachment	5044790	1		
2	Shaft	3926473	1		
3	Arm	5053762	1	Includes item 7	
4	Washer	3926474	2		
5	Piston rod end	3921314	1	Loctite or similar	
6	Cover	3927002	1		
7	Radial bearing	GLY. PG 161825 F	1	See item 3	
8	Retaining ring	SgA 16	1		
9	Pneumatic cylinder	ADVU 32-15-P-A	1	Festo (XKPD 32x15 LA)	X
	Pneumatic cylinder	AEVUZ 32-15-P-A	1	Festo (XKPD 32x15 LB)	
10	L-fitting	QSML -1/8-6	2	Festo	
11	Screw	RXS-Z ST 4,2x6,5	6	Loctite or similar	
12	Slot nut	XCAN 8	2		



Spare parts Slide rail - XK

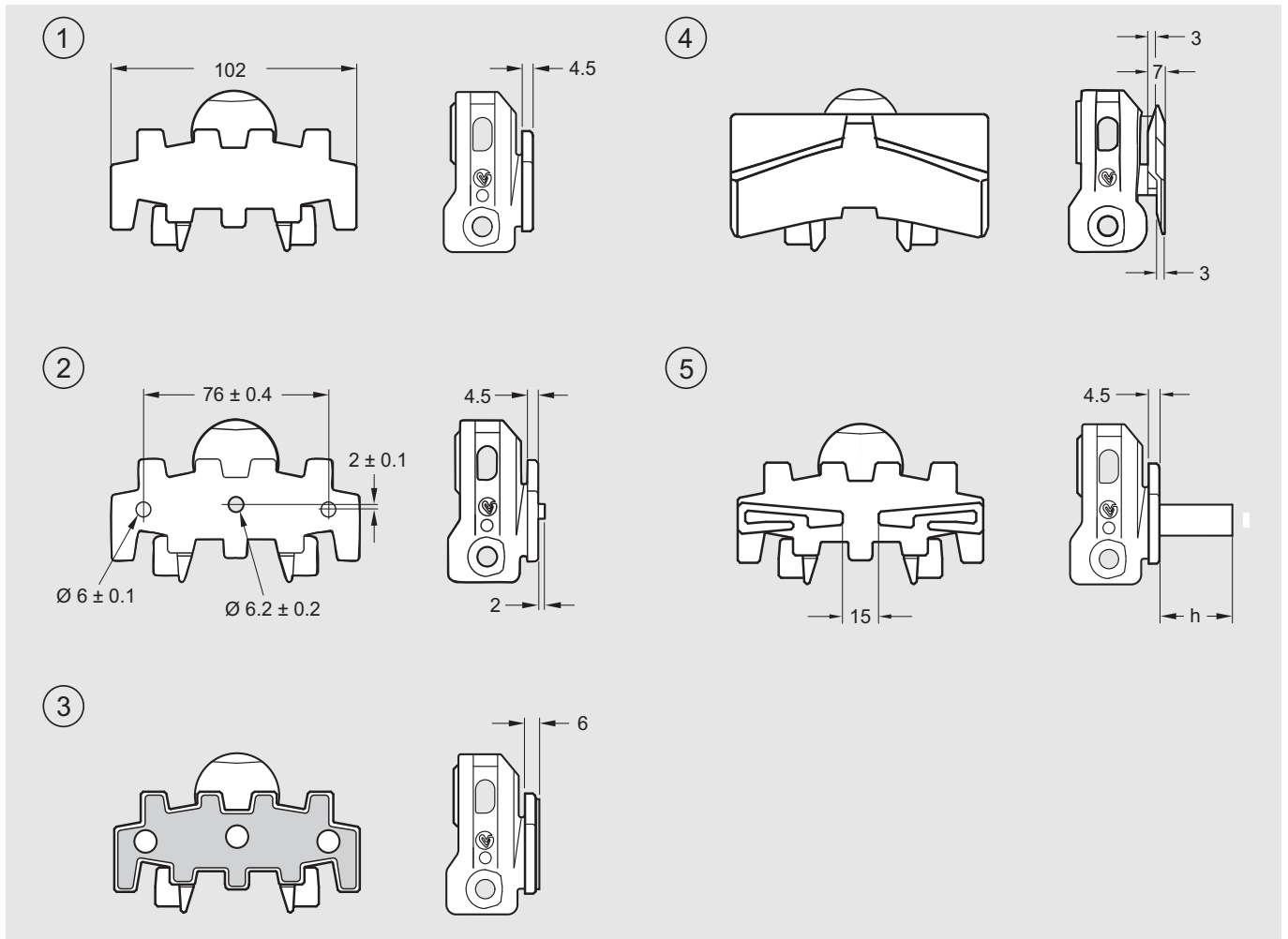
Slide rail – XK



Item	Description	Part No	Qty	Comments	Recommended Spare parts
1	Plastic slide rails for XK beams				X
	PVDF ($\mu=0,15-0,35$) (Transparent white) (t=2,5)	XWCR 25 P			
	UHMW-PE ($\mu=0,1-0,25$) (White) (t=2,6)	XKCR 25 U			
	PA-PE ($\mu=0,1-0,25$) (Grey) (t=2,45)	XKCR 25 H			



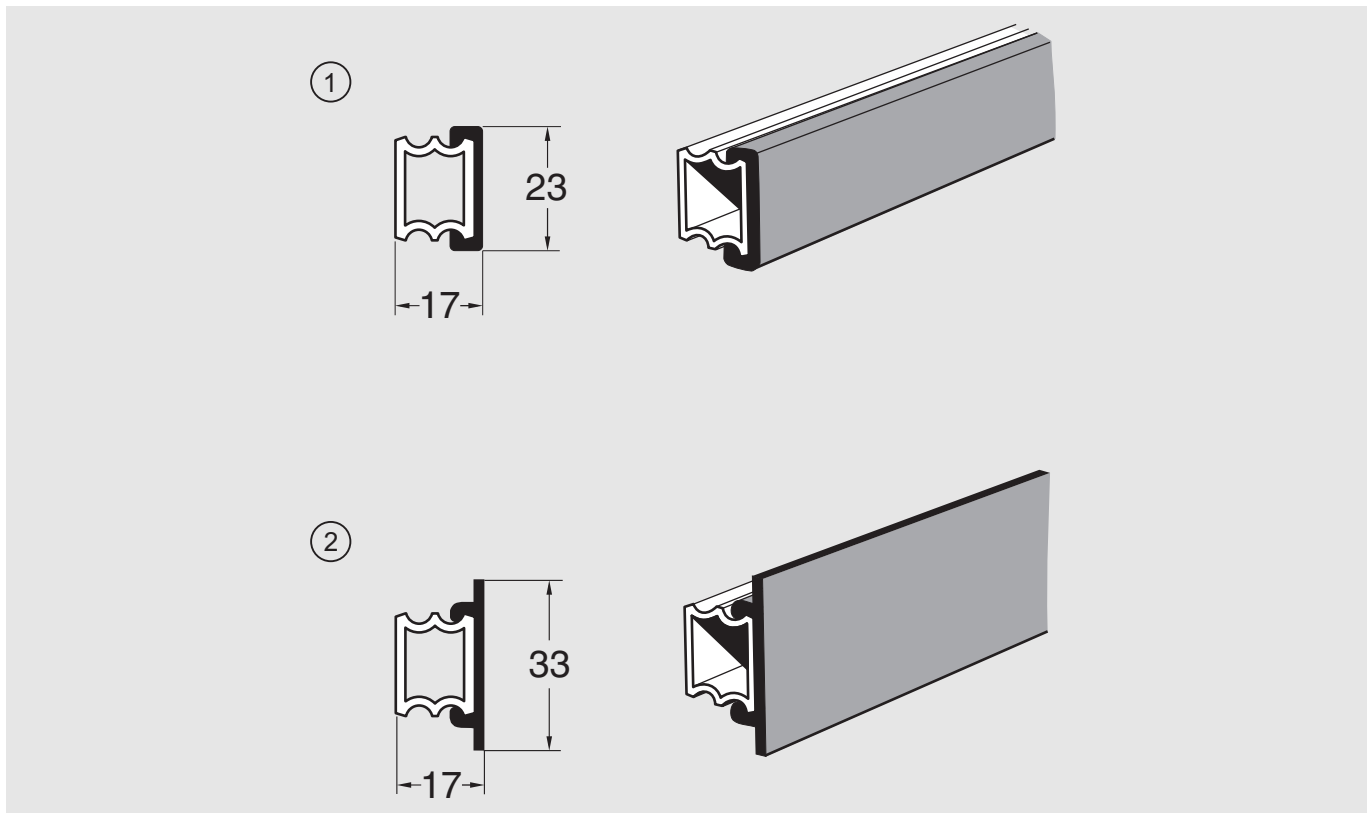
Spare parts Chains - XK



Item	Description	Part No	Qty	Comments	Recommended Spare parts
1	Plain chain	XKTP 5		This chain must not be used in pallet applications. For this, please use closed top chain XKTP 5 A	X
	Plain link kit	5056639		Link kit contains 10 links, 10 pivots, 10 steel pins	
	Plain chain (Ultra low wear)	XKTP 5 C			
	Plain link (Ultra low wear)	n.a.			
2	Universal chain	XKTF 5 U#		Enter cleat frequency (1–10) instead of # in product designation	X
	Universal link kit	5056642		Link kit contains 10 links, 10 pivots, 10 steel pins	
3	Steel top chain	XKTP 5 TF			X
	Steel top link kit	5056644		Link kit contains 10 links, 10 pivots, 10 steel pins	
4	Closed top chain	XKTP 5 A			X
	Closed top link kit	5056641		Link kit contains 10 links, 10 pivots, 10 steel pins	
5	Cleated chain, Type A			Enter cleat frequency (1–10) instead of # in product designation	X
	h=15 mm	XKTF 5x15 A#			
	h=20 mm	XKTF 5x20 A#			
	h=30 mm	XKTF 5x30 A#			
	h=40 mm	XKTF 5x40 A#			
	Cleated link kit				
	h=15 mm	5056645		Link kit contains 10 links, 10 pivots, 10 steel pins	
	h=20 mm	5056646		Link kit contains 10 links, 10 pivots, 10 steel pins	
	h=30 mm	5056647		Link kit contains 10 links, 10 pivots, 10 steel pins	
	h=40 mm	5056648		Link kit contains 10 links, 10 pivots, 10 steel pins	



Spare parts Guide rail cover - XK



Item	Description	Part No	Qty	Comments	Recommended Spare parts
1	Guide rail cover for 15 mm aluminium guide rail				X
	Polyethylene, length 3 m	XLRT 3x23			
	UHMW-PE, length 3 m	XLRT 3x23 U			
2	Guide rail cover, flanged, for 15 mm aluminium guide rail				X
	Polyethylene, length 3 m, flanged	XLRT 3x33 D			

Product designations in alphanumeric order

(3904855)	10	3920010	23	3924455	12	3925259	5
(3904855)	13	3920084	8	3924455	15	3925260	22
(3904855)	16	3920087	19	3924455	18	3925260	5
(3904855)	19	3920087	23	3924455	2	3925261	22
(3904855)	23	3920207	21	3924455	22	3925261	5
(3904855)	3	3920207	30	3924455	5	3925262	22
(3904855)	6	3920208	21	3924455	9	3925262	5
(3904862)	10	3920208	30	3924966	33	3925263	22
(3904862)	13	3921123	14	3924977	36	3925263	5
(3904862)	16	3921123	20	3924977	37	3925264	22
(3904862)	19	3921123	21	3924977	39	3925264	5
(3904862)	23	3921123	30	3924977	40	3925325	10
(3904862)	3	3921123	31	3924977	41	3925325	13
(3904862)	6	3921123	4	3924989	14	3925325	16
(3920209)	14	3921258	12	3924989	20	3925325	3
(3920209)	4	3921258	15	3924989	21	3925325	6
(3920210)	14	3921258	18	3924989	30	3925332	19
(3920210)	4	3921258	2	3924989	31	3925332	23
(3924757)	21	3921258	26	3924989	4	3925333	19
(3924757)	31	3921314	45	3925001	21	3925333	23
(3924763)	14	3921314	46	3925001	30	3925334	19
(3924763)	4	3921638	12	3925001	31	3925334	23
(3924764)	14	3921638	15	3925024	13	3925336	19
(3924764)	4	3921638	18	3925024	3	3925336	23
(3925589)	13	3921638	2	3925024	6	3925469	16
(3925589)	16	3921638	26	3925025	13	3925718	16
(3925589)	3	3924197	15	3925025	3	3925764	28
(3925589)	6	3924197	18	3925025	6	3925863	31
(3925590)	13	3924197	2	3925027	19	3925864	31
(3925590)	16	3924197	9	3925027	23	3925868	27
(3925590)	3	3924287	10	3925028	19	3925869	27
(3925590)	6	3924287	19	3925028	23	3925921	8
(3925718)	8	3924287	23	3925029	20	3925957	22
(3926375)	10	3924287	3	3925029	21	3925957	5
(5048340)	8	3924287	6	3925035	22	3925995	28
3901120	33	3924438	12	3925035	5	3925996	28
3902168	33	3924438	15	3925063	20	3926279	13
3903356	36	3924438	18	3925063	4	3926299	14
3903356	38	3924438	2	3925066	20	3926310	12
3903356	40	3924438	26	3925067	20	3926310	13
3903357	36	3924439	12	3925068	10	3926360	16
3903357	37	3924439	15	3925068	13	3926361	16
3903357	38	3924439	18	3925068	16	3926400	10
3903357	39	3924439	2	3925068	19	3926401	10
3903357	40	3924439	26	3925068	23	3926402	10
3903357	41	3924440	12	3925068	3	3926473	45
3905610	19	3924440	15	3925068	6	3926473	46
3905610	23	3924440	18	3925069	19	3926474	45
3920010	19	3924440	2	3925069	23	3926474	46
		3924440	26	3925259	22	3926590	43

3926591	43	5043855	41	5044790	46	5044970	41
3926593	43	5044116	36	5044799	43	5044972	22
3926596	43	5044116	38	5044839	43	5044972	5
3926599	43	5044116	40	5044851	43	5044973	22
3927002	46	5044117	36	5044935	12	5044973	5
3927137	45	5044117	38	5044935	15	5044974	22
3927138	45	5044117	40	5044935	18	5044974	5
3927167	41	5044118	36	5044935	2	5044975	22
3927168	40	5044118	38	5044935	26	5044975	5
3927339	45	5044118	40	5044936	12	5044976	22
3927340	43	5044119	36	5044936	15	5044976	5
3927411	43	5044119	38	5044936	18	5044977	22
3927412	43	5044119	40	5044936	2	5044977	5
5043154	19	5044120	36	5044936	26	5044980	22
5043154	23	5044120	38	5044937	12	5044980	5
5043330	40	5044120	40	5044937	15	5045367	22
5043330	41	5044121	36	5044937	18	5045367	5
5043331	37	5044121	38	5044937	2	5046286	38
5043331	39	5044121	40	5044937	26	5046286	39
5043331	41	5044640	36	5044938	12	5046286	40
5043332	37	5044640	37	5044938	15	5046286	41
5043332	39	5044640	38	5044938	18	5046289	38
5043332	41	5044640	39	5044938	2	5046289	39
5043333	37	5044646	37	5044938	26	5046289	40
5043333	39	5044646	39	5044939	12	5046289	41
5043333	41	5044647	36	5044939	15	5046314	37
5043334	37	5044663	36	5044939	18	5046315	37
5043334	39	5044663	38	5044939	2	5046316	41
5043334	41	5044663	40	5044939	26	5046317	41
5043335	36	5044664	36	5044940	12	5046318	36
5043335	37	5044664	38	5044940	15	5046319	36
5043335	38	5044664	40	5044940	18	5046320	40
5043335	39	5044665	36	5044940	2	5046321	40
5043335	40	5044665	38	5044940	26	5046977	16
5043335	41	5044665	40	5044948	12	5046985	16
5043336	37	5044666	36	5044948	15	5047050	16
5043336	41	5044666	38	5044948	18	5051421	14
5043337	39	5044666	40	5044948	2	5051421	20
5043337	41	5044667	36	5044948	26	5051421	21
5043395	36	5044667	38	5044969	36	5051421	30
5043395	37	5044667	40	5044969	37	5051421	31
5043396	38	5044668	36	5044969	38	5051421	4
5043396	40	5044668	38	5044969	39	5053762	46
5043800	36	5044668	40	5044969	40	5053981	10
5043800	40	5044695	16	5044969	41	5053981	13
5043854	36	5044771	38	5044970	36	5053981	16
5043854	38	5044771	39	5044970	37	5053981	19
5043854	40	5044771	40	5044970	38	5053981	28
5043855	37	5044771	41	5044970	39	5053981	3
5043855	39	5044790	45	5044970	40	5054000	10

<http://www.flexlink.com>

5054000	13	5111600	3	XKEB 0 HRU	8	XLRT 3x23 U	51
5054000	16	5111600	6	XKEB 0 L/LA	2	XLRT 3x33 D	51
5054000	19	5111633	10	XKEB 0 LD/LAD-	15	XMBE 180R160	33
5054000	3	5111648	21	XKEB 0 LD/LAD106	12	XMBE 30R160	33
5054001	23	5111648	30	XKEB 0 LDU106	13	XMBE 45R160	33
5054001	6	5111648	31	XKEB 0 LP	7	XMBE 60R160	33
5054002	23	5111650	13	XKEB 0 R/RA	2	XMBE 90R160	33
5054002	6	5111650	16	XKEB 0 RD/RAD-	15	XSBE 180R150	33
5054003	8	5111650	3	XKEB 0	12	XSBE 30R150	33
5056122	43	5111650	6	RD/RAD106	13	XSBE 45R150	33
5056123	43	5111651	14	XKEB 0 RDU106	7	XSBE 90R150	33
5056639	50	5111651	4	XKEB 0 RP	22	XWCR 25 P	47
5056641	50	5111652	14	XKEC 0 HL/HLA	22		
5056642	50	5111652	4	XKEC 0 HR/HRA	18		
5056644	50	5111653	8	XKEC 0 L/LA	18		
5056645	50	5117108	7	XKEC 0 R/RA	9		
5056646	50	XBBE 180A85R160	33	XKEH 0 L/LA	9		
5056647	50	XBBE 30A85R160	33	XKEH 0 R/RA	26		
5056648	50	XBBE 45A85R160	33	XKEW 180/0 H/HA	27		
5056817	10	XBBE 90A85R160	33	XKEW 180/0 U	36		
5056817	13	XBBE EA85R160	33	XKRB 30x74	37		
5056817	16	XCAN 8	40	XKRB 30x74	38		
5056817	19	XCAN 8	41	XKRB 30x74	39		
5056817	28	XCAN 8	45	XKRB 30x74	40		
5056817	3	XCAN 8	46	XKRB 30x74	41		
5056820	10	XCFJ 44 F	40	XKTF 5 U#	50		
5056820	13	XCFJ 44 F	41	XKTF 5x15 A#	50		
5056820	16	XHBE 180R170	33	XKTF 5x20 A#	50		
5056820	19	XHBE 30R170	33	XKTF 5x30 A#	50		
5056820	3	XHBE 45R170	33	XKTF 5x40 A#	50		
5057697	33	XHBE 60R170	33	XKTP 5	50		
5058559	33	XHBE 90R170	33	XKTP 5 A	50		
5059235	33	XKBE 180R200	28	XKTP 5 C	50		
5059236	33	XKBE 180R200	33	XKTP 5 TF	50		
5059237	33	XKBE 30R200	33	XLAQ 8	36		
5059244	33	XKBE 45R200	33	XLAQ 8	37		
5059247	33	XKBE 90R200	33	XLAQ 8	38		
5110507	33	XKCE 55x30	28	XLAQ 8	39		
5111598	8	XKCR 25 H	47	XLAT 17	36		
5111599	10	XKCR 25 U	47	XLAT 17	37		
5111599	13	XKEB 0 HL/HLA	5	XLAT 17	38		
5111599	16	XKEB 0 HLDU-	16	XLAT 17	39		
5111599	19	XKEB 0 HLU	10	XLAT 17	40		
5111599	23	XKEB 0 HLU	3	XLAT 17	41		
5111599	3	XKEB 0 HLU	6	XLBE 180R150	33		
5111599	6	XKEB 0 HLU	8	XLBE 30R150	33		
5111600	10	XKEB 0 HR/HRA	5	XLBE 45R150	33		
5111600	13	XKEB 0 HRDU-	16	XLBE 60R150	33		
5111600	16	XKEB 0 HRU	10	XLBE 90R150	33		
5111600	19	XKEB 0 HRU	3	XLCJ 5x140	38		
5111600	23	XKEB 0 HRU	6				

