

# Limit switch EGS80



## Description

Limit switches EGS80 are suitable for a lot of measuring tasks.

2- and 3-wire transmitters as well as active power supplies with 0 / 4 mA ... 20 mA signal can be connected. Two relays and an active 0/4 mA ... 20 mA current output are available as outputs. The current output is freely scaleable. The relay contacts can be integrated in security relevant circuits.

The limit switch has a measured value display with 17 different indicating devices (kg, t, N, bar etc.).

The device is operated via the control surface on the front panel or with the free software which is easy to use. A file with the setting parameters can be created, stored and be loaded into any EGS80.

A connection cable for the PC connection with „SUB-D9/25 to phone jack“ or „USB A to phone jack“ can be supplied optionally.

## Features

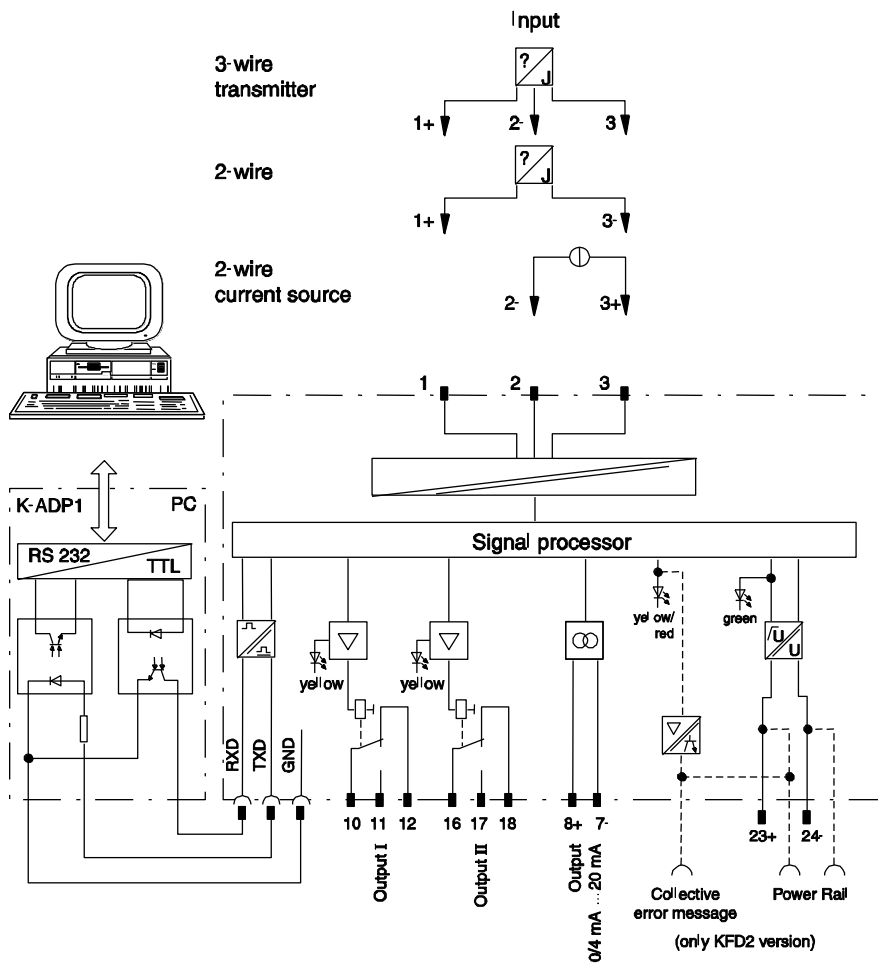
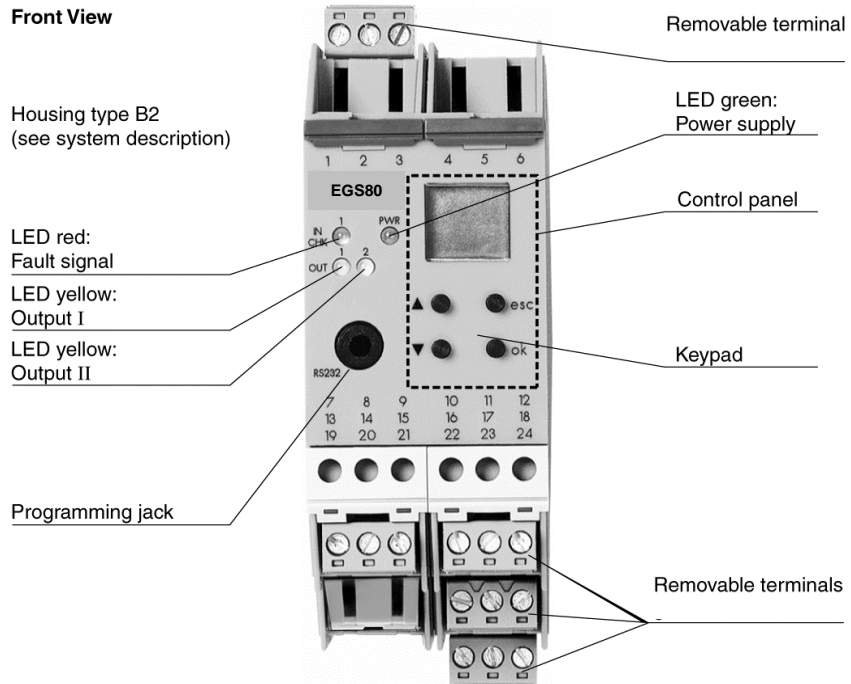
- 1-channel
- Analogue input 0/4 mA ... 20 mA
- Analogue output 0/4 ... 20 mA
- 2 relay outputs
- Each relay output individually parameterisable as high or low alarm or error message output
- Display and different status LED
- Linearisation function (max. 20 points)
- Lead breakage (LB) monitoring and short-circuit (SC) monitoring
- Parameterisation control panel or PC
- Indicating device selectable: N, t, kg, %, mA, bar, °C etc.
- Usable up to SIL 2 acc. to IEC 61508
- UL-certification

**Model: EGS80X002001**

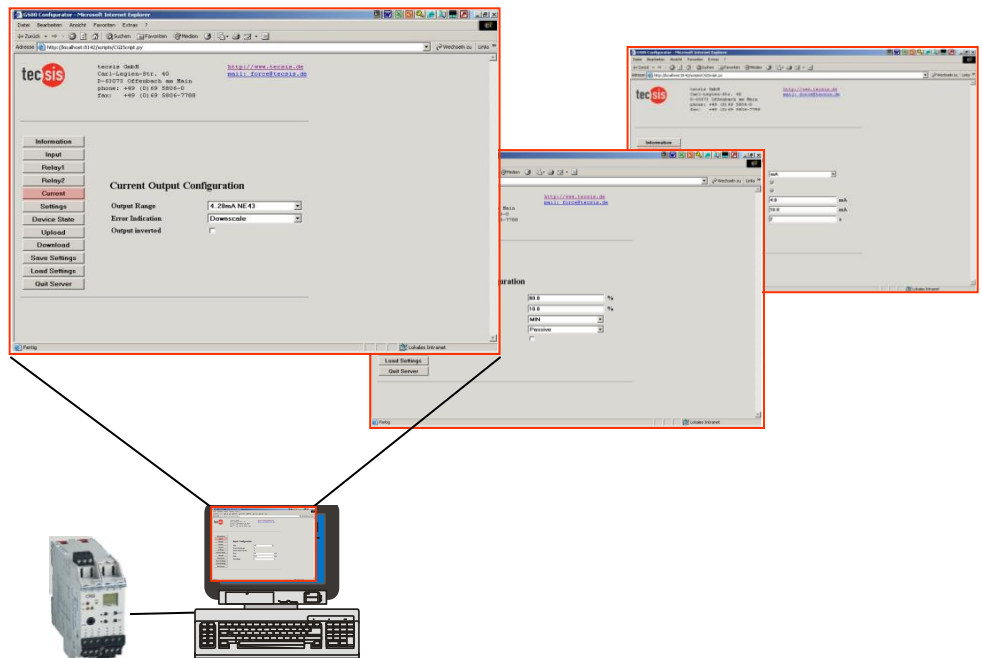
## Technical data

Model	<b>EGS80</b>		
<b>Supply</b>	Connection	Power Rail or terminals 23+, 24-	
	Rated voltage	20 ... 90 V DC or 48...253 V AC 50/60Hz	
	Rated current	approx. 100 mA	
	Power loss	2 W / 3 VA	
	Power consumption	2,2 W / 4 VA	
<b>Input</b>	Connection	terminals 1, 2, 3	
	Open circuit voltage / Short-circuit current	24 V / 33 mA	
	Input signal	0 ... 20 mA / 4...20 mA	
	Available voltage	≥ 15 V @ 20 mA	
	Input resistance	45 Ohm (terminals 2, 3)	
	Lead monitoring	Breakage I < 0,2 mA; short circuit I > 21,5 mA acc. to NAMUR NE 43	
	<b>Output</b>	Connection	output I : terminals 10, 11, 12 output II: terminals 16, 17, 18 output: analogue, terminals 8+, 7-
Output I and II		signal, relay	
Contact loading		250 V AC / 2 A / $\cos(\varphi) \geq 0,7$ ; 40 V DC / 2 A	
Mechanical life		5 x 10 <sup>7</sup> switching cycles	
Energised / de-energised delay		approx. 20 ms / approx. 20 ms	
Output III		signal, analogue	
Current range		0 ... 20 mA or 4 ... 20 mA	
Open loop voltage		≤ 24 V DC	
Load		≤ 650 Ohm	
Fault signal		downscale I ≤ 3,6 mA, upscale I ≥ 22 mA (acc. NAMUR NE 43)	
<b>Transfer characteristics</b>		Input (Measuring time)	≥ 100 ms deflexion
		Accuracy (Input)	< 30 µA / 0,2 % of F.S.
		Resolution/Accuracy Output	≤ 10 µA / < 20 µA
	Temperature	Current measurement 0.003 % / °C (30 ppm)(Input) Current measurement 0.005 % / °C (50 ppm) Current measurement and Current output 0,006 % / °C (60 ppm)	
<b>Electrical Isolation</b>	Input / other circuits	safe electrical isolation acc. to IEC 61140, rated insulation voltage 300 V <sub>eff</sub>	
	Output I, II / other circuits	reinforced insulation according to IEC 61140, rated insulation voltage 300 V <sub>eff</sub>	
	Output I, II, III, against each other	reinforced insulation according to IEC 61140, rated insulation voltage 300 V <sub>eff</sub>	
	Output III / Power supply	reinforced insulation according to IEC 61140, rated insulation voltage 300 V <sub>eff</sub>	
	Interface / Power supply	reinforced insulation according to IEC 61140, rated insulation voltage 300 V <sub>eff</sub>	
<b>Ambient conditions</b>	Temperature	-20 ... 60 °C (253 ... 333 K)	
	Protection type	IP 20	
<b>Standard conformity</b>	EMV directive 2004/108/EG	EN 61326-1:2006 , EN61000-6-4:2007	
	Low voltage directive 2006/95/EG	EN 50178:1997	
	Input	acc. to DIN EN 60947-5-6	
	Insulation coordination	acc. to IEC 62103	
	Electrical Isolation	acc. to IEC 62103	
<b>Zulassungen Mechanische Daten</b>	Protection type	acc. to IEC 60529	
	Electromagnetic compatibility	acc. to NE 21	
	Protection against electric shock	acc. to IEC 61140	
	UL-Zulassung SIL2	UL508 gemäß IEC 61508	
	Dimensions Mass	40 x 119 x 115 mm 300 g	
<b>Accessories</b>	SUB-D9/25 to phone jack r : EZE53X001010; Adapter cable EZE53X001014 USB Typ A to phone jack; CD with configuration software EZE53X030003 will be delivered with the adapter cable)		

# Construction



## Optional PC configuration software for limit switch EGS80X002001



### Accessories :

Adapter cable EZE53X001010  
Sub-D9/25 to phone jack



Adapter cable EZE53X001014  
USB Typ A to phone jack



### Advantage:

- Simple, fast and safe parametrisation of the device with 11 screen masks
- Current device status can be selected
- A file with the setting parameters can be loaded in an other device
- Attention: Adapter cable with galvanic isolation must be used for PC connection (supply inclusive software CD)

Subject of technical changes