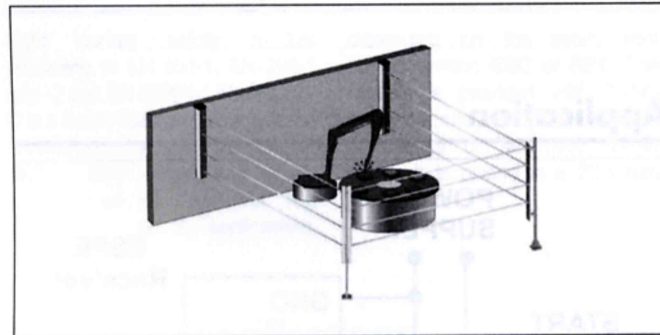
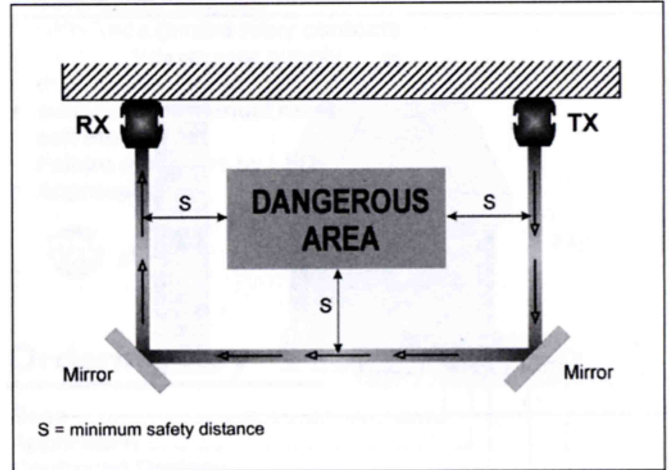


## Deviating Mirrors

By installing the safety light curtains by direct alignment, it is possible to cover a dangerous area. The **SRN** mirrors, placed in right position, allow to reflect the beams emitted by the light curtains and consequently can be used to control more contiguous sides of hazardous zones, as shown in the pictures sideways and below.

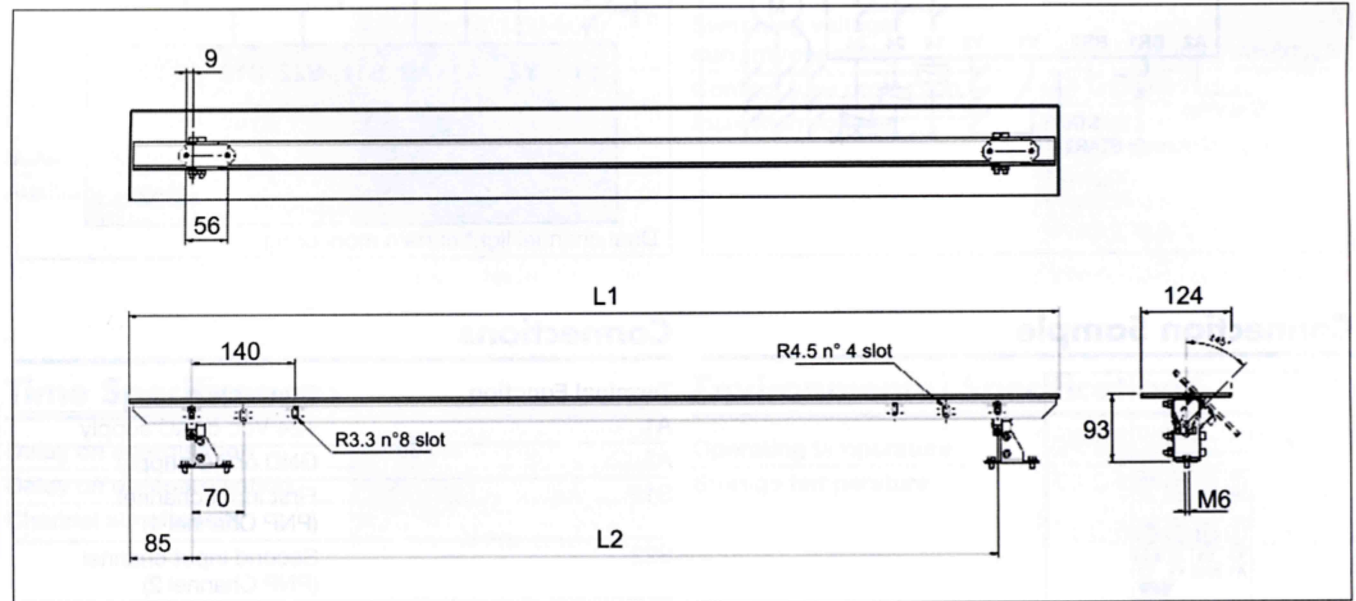
It is important to take into consideration that the introduction of mirrors causes the decrease of the operating distance of the safety light curtains by 15% for each reflection. Where needed, the use of the LASP laser pointer is advisable to make easier the alignment procedure.



## Ordering Key

**SRN-900**

Deviating Mirror Series \_\_\_\_\_  
Dimensions \_\_\_\_\_



## Type Selection

Item number	L1	L2
SRN-500	554mm (21.81")	384mm (15.12")
SRN-600	704mm (27.72")	534mm (21.02")
SRN-800	904mm (35.59")	734mm (28.9")
SRN-900	1004mm (39.53")	834mm (32.89")
SRN-1200	1234mm (48.58")	1094mm (43.07")
SRN-1500	1604mm (63.15")	1434mm (56.46")
SRN-1650	1804mm (71.02")	1634mm (64.33")

## Connectors

M12 Shielded connectors to be used for wiring the safety light curtains. Connectors for emitter units are provided with 4 poles while the version dedicated to receiver

units with 8 poles. Three standard cable lengths are given below, other lengths are available upon request.

## Ordering Key

**CFB-1A4/3MT**

Female Connector \_\_\_\_\_  
Diameter 12 mm \_\_\_\_\_  
Axial \_\_\_\_\_  
4 poles \_\_\_\_\_  
Cable length \_\_\_\_\_

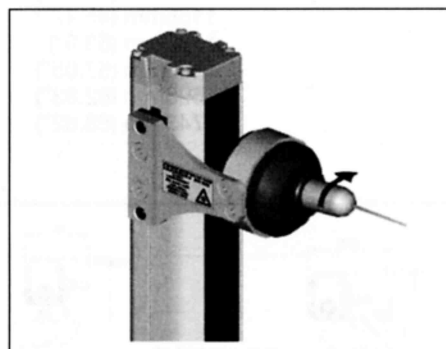
## Type Selection

Cable Length	Ordering number 4-pole connector	Ordering number 8-pole connector
3	CFB-1A4/3MT	CFB-1A8/3MT
5	CFB-1A4/5MT	CFB-1A8/5MT
10	CFB-1A4/10MT	CFB-1A8/10MT

## Laser pointer

For all those applications where the alignment of the safety light curtains can be difficult as consequence of the long distance between the emitter and the receiver units or the adoption of one or more deviating mirrors to protect contiguous sides of a dangerous area, the **LASP** laser pointer can be used. By inserting the **LASP** laser

pointer in the upper part of the emitting unit (and then in the lower one), using one of the two side slots of the profile (refer to drawing), the right alignment can be easily achieved thanks to the visible indication. The **LASP** laser pointer is powered by three 1.5 V LR-44 type batteries.



## Floor stands

The floor stand of the **SPT** series can be used for the installation of both emitter and receiver units of the **SB2** and **SB4** safety light curtains series, as well as for the **SRN** deviating mirror series. Five versions with different

lengths are available in order to satisfy all application needs. Where needed, the **SPT** floor stand series can be also equipped with protective stands of the **CPZ** series.

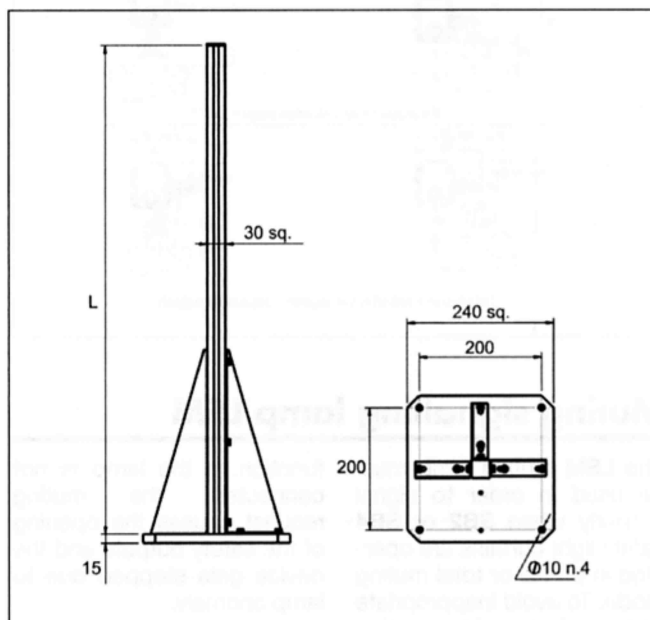
## Ordering Key

**SPT-1200**

Floor stand \_\_\_\_\_  
Length (mm) \_\_\_\_\_

## Type Selection

Item number	L
SPT-800	800mm (31.5")
SPT-1000	1000mm (39.37")
SPT-1200	1200mm (47.24")
SPT-1500	1500mm (59.06")
SPT-1800	1800mm (70.87")



## Protective stands

The protective stands of the **CPZ** series can be mounted on the **SPT** floor stands by using two M6 x 10 screws, and relative washers and square nuts.

The **CPZ** series includes a complete range of protective stands in terms of different lengths, allowing to choose the right model for each safety light curtain.

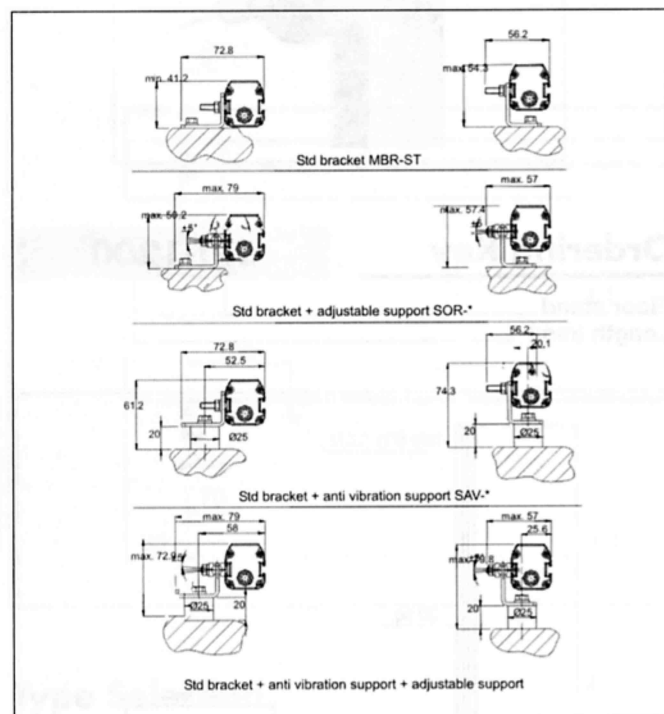
## Type Selection

Item number	Overall length L
CPZ-150	273mm (10.75")
CPZ-300	420mm (16.54")
CPZ-450	567mm (22.32")
CPZ-600	714mm (28.11")
CPZ-750	861mm (33.9")
CPZ-800	969mm (38.15")
CPZ-900	1069mm (42.09")
CPZ-1050	1155mm (45.47")
CPZ-1200	1369mm (53.9")
CPZ-1350	1449mm (57.05")
CPZ-1500	1596mm (62.83")
CPZ-1650	1743mm (68.62")

## Ordering Key

**CPZ-1500**

Protective stand series \_\_\_\_\_  
Dimensions \_\_\_\_\_



## Brackets and supports

The model **MBR-ST** is the spare kit including four standard mounting brackets. The series **SOR-\*** of adjustable mounting supports is used to allow the orientation of the safety light curtains in a range of  $\pm 5^\circ$  with respect to the longitudi-

nal axis, while the **SAV-\*** version of supports is addressed to applications where the absorption of the vibrations caused by the machinery on which the safety light curtains are installed is necessary.

## Type Selection

Type	4 pcs. kit	6 pcs. kit
standard	MBR-ST	-
adjustable	SOR-4	SOR-6
anti-vibration	SAV-4	SAV-6

## Muting signalling lamp LSM

The **LSM** muting lamp must be used in order to signal properly when **SB2** or **SB4** safety light curtains are operated in partial or total muting mode. To avoid inappropriate and unsafe use of the muting

function, if the lamp is not connected, the muting request causes the opening of the safety outputs and the device gets stopped due to lamp anomaly.