

Torch sets RET 310 (A)

REVO.torch for hollow shaft robots

System definition

Properties

- ▶ For DINSE torch heads
gas cooled
 DIX MET 35x/39x
 DIX MET 32xx/37xx/39xx
- ▶ For rotary interfaces
gas cooled
 RET 300, RET 300 L



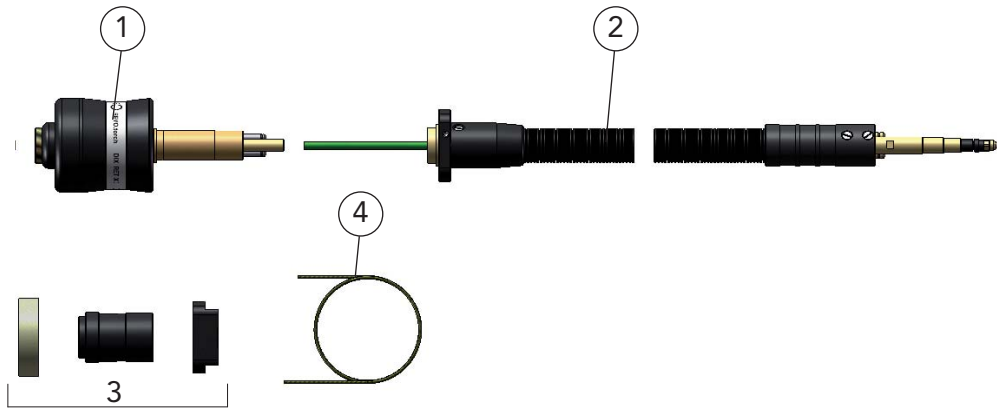
MET 35x and MES 300/500



MET 32xx and MES 300/500

Hint:

Information to the appropriate torch heads you will find in chapter MIG/MAG AUTOMATION Torch heads.



Description	Dimension	Part name	Part number
1 Rotary interface The rotary interface [_ _] depends on the robot type. Information to the rotary interface you will find in chapter MIG/MAG AUTOMATION Rotary interface.		DIX RET 300 (L)	6870010_ _
2 Torch set		DIX RET 310- _	630131004_
Torch set, A The torch set length [_ _] depends on the robot type.		DIX RET 310- _ A	630131014_
3 Docking set The docking set [_ _] depends on the robot type. Information to the docking sets you will find in chapter Tools and Accessories..		DIX REX 3_ _	6870023_ _
4 Liner		DIX DS 4/2,2-2	623000320
Protection modul For wire feeder DIX WD 650 X with integrated shock sensor, only assembled, without picture		DIX REMO 100	719283100
Accessories:			
Measuring sensor set Fitting for robotic and automatic torch sets with sensor function for welding voltage measurement Set only assembled available, without picture		DIX M 150 ME	639153041

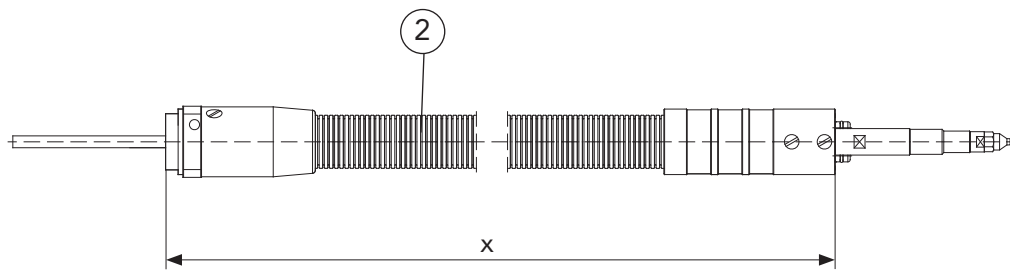
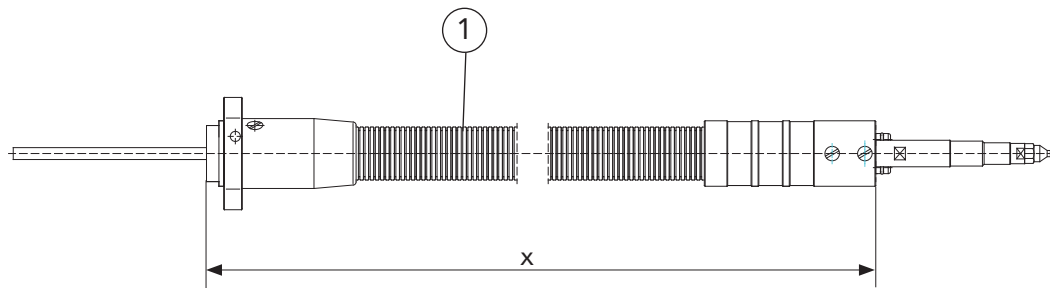
Hint:

Other liners, capillary liners and service tools you will find in chapter tools and accessories. The order designation of the system components you will find in the corresponding chapter.

Torch sets RET 310 (A)

REVO.torch for hollow shaft robots

Standard fittings



Description	Dimension	(Length of the torch set)	Part name	Part number
1 Torch set		_ m	DIX RET 310-_	630131004_
_ - Robot type				
ABB:	IRB 1600 ID	0.89 m		
Fanuc:	ARC MATE 100iC	1.20 m		
	ARC MATE 100iC/6L	1.40 m		
	ARC MATE 120iC	1.40 m		
	ARC MATE 120iC/10L	1.60 m		
Motoman:	EA 1400N, MA 1400	0.78 m		
	SSA 2000	0.78 m		
	EA 1800N, MA 1800	1.08 m		
	EA 1900N, MA 1900	1.08 m		
2 Torch set, A		_ m	DIX RET 310-_ A	630131014_
	Connection housing 90° rotated			
_ - Robot type				
Kuka:	KR 5 arc HW	0.78 m		
Reis:	RV 20-6 HW	1.20 m		

- Standard equipment for wire feeder DIX WD 650 X. Use the hook spanner DIX SLAT 4 to fix the torch heads.
Variants deviating of the standard fittings on request.

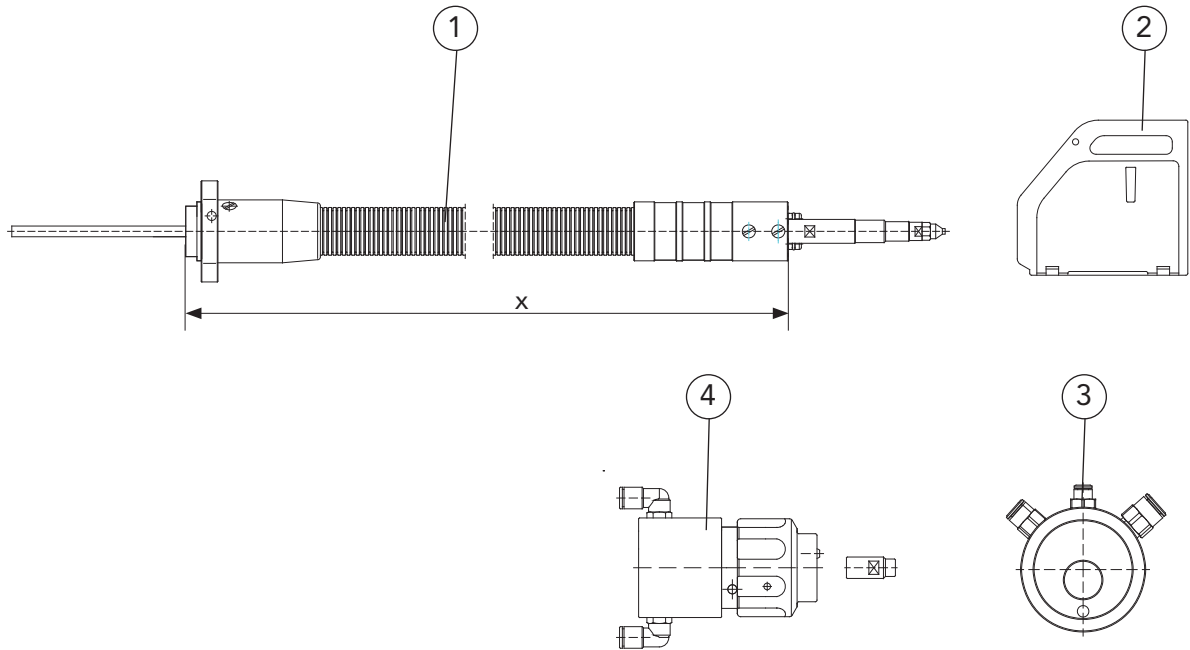




Torch sets RET 310

REVO.torch for hollow shaft robots

Special equipment for various wire feeder



Description	Dimension (Length of the torch set)	Part name	Part number
1 Torch set	_ m	DIX RET 310-_/00x	63013100x_
_ - Robot type			
ABB:	IRB 1600 ID	0.89 m	Motoman: EA 1400N 0.78 m
Fanuc:	ARC MATE 100iC	1.20 m	MA 1400 0.78 m
	ARC MATE 100iC/6L	1.40 m	SSA 2000 0.78 m
	ARC MATE 120iC	1.40 m	EA 1800N 1.08 m
	ARC MATE 120iC/10L	1.60 m	MA 1800 1.08 m
			EA 1900N 1.08 m
			MA 1900 1.08 m
2 Wire feeder type (x):	Fronius: 1, Lincoln, Miller, Motoman: 6, SKS: 2		
3 Connection set		DIX REMA 300/00y	71823300y
	Wire feeder type (y): Fronius: 1, Lincoln: 6, Miller: 5, Motoman: 7, SKS: 2		
4 Connection set		DIX REMA 100 SAZ	718231001

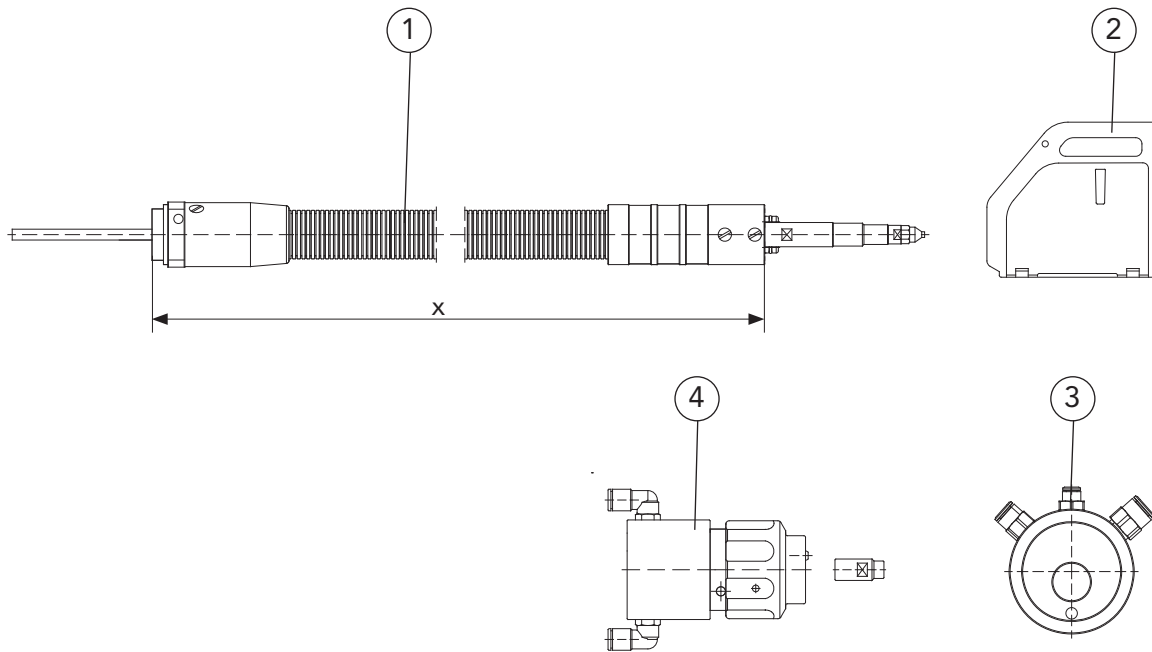
► More special variants on request.



Torch sets RET 310 A

REVO.torch for hollow shaft robots

Special equipment for various wire feeder



Description	Dimension (Length of the torch set)	Part name	Part number
1 Torch set, A Connection handle 90° twisted	_ m	DIX RET 310-_/00x A	63013101x_
_ - Robot type			
Kuka:	KR 5 arc HW	0.78 m A	
Reis:	RV 20-6 HW	1.20 m A	
2 Wire feeder type (x): Fronius: 1, Lincoln, Miller, Motoman: 6, SKS: 2			
3 Connection set		DIX REMA 300/00y	71823300y
2 Wire feeder type (y): Fronius: 1, Lincoln: 6, Miller: 5, Motoman: 7, SKS: 2			
4 Connection set		DIX REMA 100 SAZ	718231001

► More special variants on request.

