

Driver LCA 50W 100–400mA one4all Ip PRE

PREMIUM series non-SELV

**Product description**

- _ Dimmable built-in constant current LED Driver
- _ Output current adjustable between 100 – 400 mA
- _ Max. output power 50 W
- _ Up to 92 % efficiency
- _ Power input on stand-by < 0.15 W
- _ Dimming range 1 to 100 %
- _ For luminaires of protection class I and protection class II
- _ Nominal life-time up to 100,000 h
- _ 5-year guarantee

Housing properties

- _ Low profile metal casing with white cover
- _ Type of protection IP20

Interfaces

- _ one4all (DALI DT 6, DSI, switchDIM, corridorFUNCTION)
- _ ready2mains (configuration and dimming via mains)
- _ Terminal blocks: 0° push terminals

Functions

- _ Adjustable output current (DALI, ready2mains, I-select 2)
- _ Constant light output function (CLO)
- _ Power-up fading at AC
- _ Configurable via ready2mains
- _ Service monitor to log certain events
- _ Protective features (overtemperature, short-circuit, overload, no-load, input voltage range, reduced surge amplification)
- _ Suitable for emergency escape lighting systems acc. to EN 50172

Benefits

- _ Application-oriented operating window for maximum compatibility
- _ Best energy savings due to low stand-by losses and high efficiency
- _ Flexible configuration via DALI, ready2mains and I-select 2
- _ Reliability proven by life-time up to 100,000 h and 5-year guarantee

Typical applications

- _ For linear/area lighting in office applications

Website

<http://www.tridonic.com/28000655>



Spotlights



Downlights



Linear



Area



Floor | Wall



Free-standing



Street



Decorative

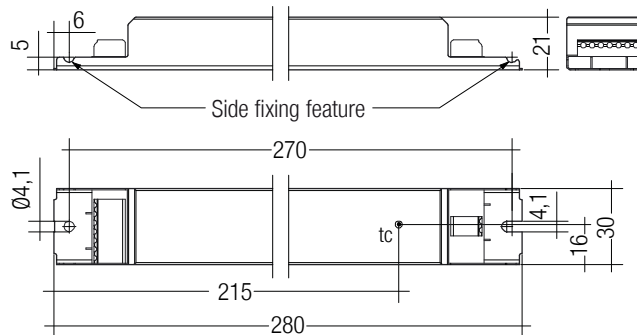


High bay

Driver LCA 50W 100–400mA one4all Ip PRE

PREMIUM series non-SELV

The complete data sheet for this product is available in the Downloads section.

**Ordering data**

Type	Article number	Packaging, carton	Packaging, pallet	Weight per pc.
LCA 50W 100-400mA one4all Ip PRE	28000655	10 pc(s).	960 pc(s).	0.207 kg

Technical data

Rated supply voltage	220 – 240 V
AC voltage range	198 – 264 V
DC voltage range	176 – 280 V
Mains frequency	0 / 50 / 60 Hz
Overvoltage protection	320 V AC, 48 h
Typ. current (at 230 V, 50 Hz, full load) ^{①②}	95 – 255 mA
Typ. current (220 V, 0 Hz, full load, 15 % dimming level) ^②	25 – 45 mA
Leakage current (at 230 V, 50 Hz, full load) ^{①②}	< 210 A
Max. input power	57 W
Typ. efficiency (at 230 V, 50 Hz, full load) ^②	92 %
λ (at 230 V, 50 Hz, full load) ^①	0.98
Typ. power input on stand-by ^③	< 0.15 W
Typ. input current in no-load operation	22 mA
Typ. input power in no-load operation	0.4 W
In-rush current (peak / duration)	22.4 A / 176 s
THD (at 230 V, 50 Hz, full load) ^①	< 9 %
Time to light (at 230 V, 50 Hz, full load) ^①	< 0.7 s
Time to light (DC mode)	< 0.3 s
Switchover time (AC/DC)	< 0.2 s
Turn off time (at 230 V, 50 Hz, full load)	< 50 ms
Output current tolerance ^{①④}	± 3 %
Max. output current peak (non-repetitive)	≤ output current + 35 %
Output LF current ripple (< 120 Hz)	± 1.5 %
Max. output voltage (no-load voltage)	250 V
Dimming range	1 – 100 %
Mains surge capability (between L - N)	1 kV
Mains surge capability (between L/N - PE)	2 kV
Surge voltage at output side (against PE)	< 500 V
Dimensions L x W x H	280 x 30 x 21 mm

Approval marks

Standards

EN 55015, EN 61000-3-2, EN 61000-3-3, EN 61347-1, EN 61347-2-13, EN 62384, EN 61547, EN 62386-101, EN 62386-102, EN 62386-207, Acc. to EN 50172, Acc. to EN 60598-2-22

Specific technical data

Type	Output current ^①	Min. forward voltage	Max. forward voltage	Max. output power	Typ. power consumption (at 230 V, 50 Hz, full load)	Typ. current consumption (at 230 V, 50 Hz, full load)	tc point max.	Ambient temperature ta	I-select 2 resistor value ^⑥
LCA 50W 100-400mA one4all Ip PRE	100 mA	50 V	140 V	14.0 W	18.7 W	93 mA	80 °C	-25 ... +60 °C	-
LCA 50W 100-400mA one4all Ip PRE	125 mA	50 V	140 V	17.5 W	22.0 W	105 mA	80 °C	-25 ... +60 °C	40.00 kΩ
LCA 50W 100-400mA one4all Ip PRE	150 mA	50 V	140 V	21.0 W	25.8 W	120 mA	85 °C	-25 ... +60 °C	33.33 kΩ
LCA 50W 100-400mA one4all Ip PRE	175 mA	50 V	140 V	24.5 W	29.2 W	135 mA	85 °C	-25 ... +60 °C	28.57 kΩ
LCA 50W 100-400mA one4all Ip PRE	200 mA	50 V	140 V	28.0 W	32.9 W	151 mA	85 °C	-25 ... +60 °C	25.00 kΩ
LCA 50W 100-400mA one4all Ip PRE	250 mA	50 V	140 V	35.0 W	40.0 W	181 mA	85 °C	-25 ... +60 °C	20.00 kΩ
LCA 50W 100-400mA one4all Ip PRE	300 mA	50 V	140 V	42.0 W	47.1 W	212 mA	85 °C	-25 ... +60 °C	16.67 kΩ
LCA 50W 100-400mA one4all Ip PRE	325 mA	50 V	140 V	45.5 W	50.9 W	227 mA	85 °C	-25 ... +60 °C	15.38 kΩ
LCA 50W 100-400mA one4all Ip PRE	350 mA	50 V	140 V	49.0 W	54.1 W	241 mA	85 °C	-25 ... +60 °C	14.29 kΩ
LCA 50W 100-400mA one4all Ip PRE	375 mA	50 V	133 V	50.0 W	55.0 W	244 mA	85 °C	-25 ... +60 °C	13.33 kΩ
LCA 50W 100-400mA one4all Ip PRE	400 mA	50 V	125 V	50.0 W	54.6 W	244 mA	85 °C	-25 ... +60 °C	0.00 kΩ

① Valid at 100 % dimming level.

② Depending on the selected output current.

③ Depending on the DALI traffic at the interface.

④ Output current is mean value.

⑤ The table only lists a number of possible operating points but does not cover each single point. The output current can be set within the total value range in 1-mA-steps.

⑥ Not compatible with I-select (generation 1).