

DALI USB

PC interface module for DALI systems



Product description

- _ Interface module from USB to a DALI system
- _ For connecting Tridonic software tools
- _ Addressing, programming and parametrising DALI installations and Tridonic devices
- _ Power supply via DALI line and USB interface
- _ 5-year guarantee

Website

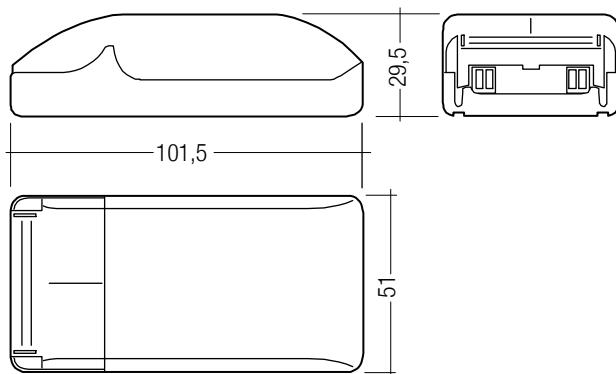
<http://www.tridonic.com/24138923>



DALI USB

PC interface module for DALI systems

The complete data sheet for this product is available in the Downloads section.

**Ordering data**

Type	Article number	Packaging, carton
DALI USB	24138923	50 pc(s).

Technical data

Supply via	DALI cable and USB interface
Current draw	6 mA from DALI
Input	1 USB (Personal Computer)
Output	DALI
Ambient temperature t_a	0 ... +50 °C
Type of protection	IP20

Approval marks