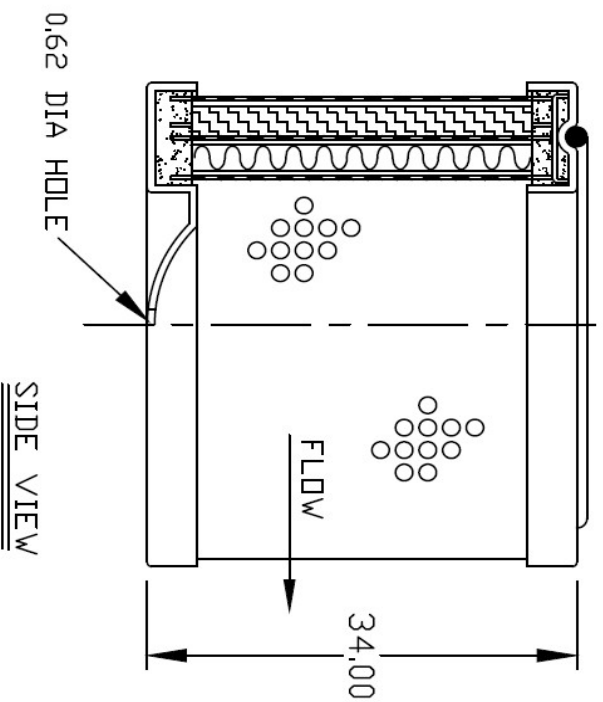
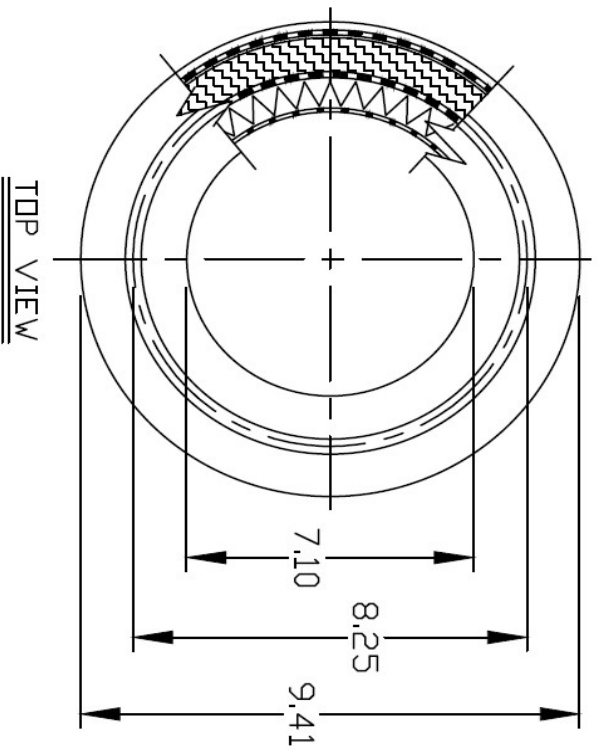


Part #

FLK16-02152

10/05/17 RL



UNIT:	
OPERATING TEMPERATURE:	-35°F / 300°F
CLEAN DELTA P:	1-2 PSI (0.069-0.14 bar)
EFFICIENCY:	2-3 PPM
MAX. OPER. PRESSURE:	Designed for a Delta P. not to exceed 3.5 Bar
BOX SIZE:	11.00 X 11.00 X 38.00
CASE QUANTITY:	1 PER BOX
WEIGHT:	22.00 LBS.
ELEMENT TYPE:	GAS/OIL SEPARATOR
UNIT TYPE:	OPEN/CLOSED STEEL CAPS
MEDIA TYPE:	FIBERGLASS/MICROGLASS
SEAL TYPE:	NEOPRENE O-RING
END SEAL:	PLASTISOL-REFRIGERATION
FLOW DIRECTION:	INSIDE/OUTSIDE
MICRON RATING:	0.1µ



Fluitek
CORPORATION

CONFIDENTIAL & PROPRIETARY NOT for REPRODUCTION
This document is for qualification compliance only and is not to be distributed to any other parties.