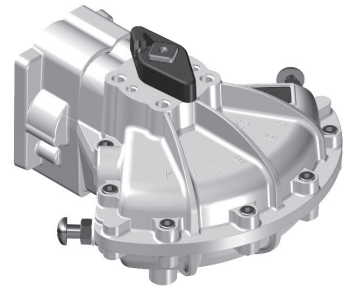


## KINETROL-Actuator Model 03A-100 / 033-100

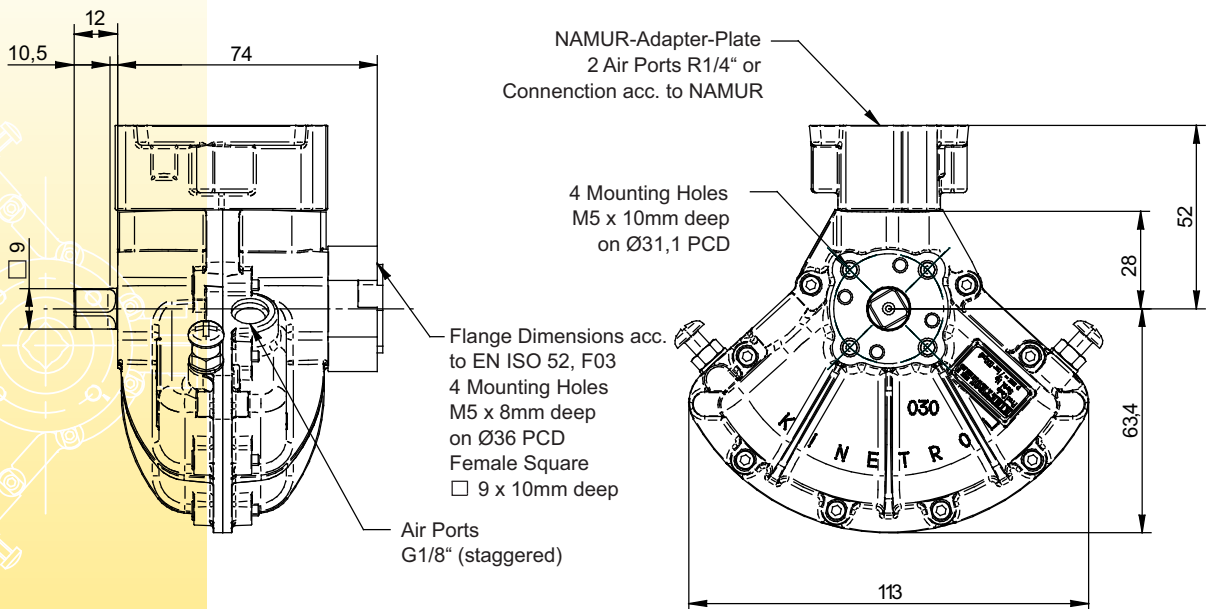
Model 033-100 without NAMUR-Adapter-Plate

DIN-Device  
double acting



### Specifications

Angle of Travel	80° to 100°
Working Temp. Range	-20°C to +80°C (with VITON-Dichtung bis +100°C)
max. Working Pressure	7bar
max. Overload Pressure	10bar
max. Torque	25Nm (at 7bar)
Quality of Air	Clean and Dry (Quality Class 4.5.5, acc. to ISO 8573.1)
Displaced Volume	60cm <sup>3</sup>
Weight	1,45kg
Finish	Epoxy Stove Enamel



### Options

- Spring Return Unit  
Spring Units available for either clockwise (code F120), or counter clockwise (Code F130)
- Solenoid Valve acc. to NAMUR
- Limit Switch Unit
- Position Indicator / Monitor

Standard Stroke adjustment = 90°  
Recommended Seal Kit SP054, consisting of:  
2 Vane Seals, 2 Expander, 2 Shaft Seals and Sealants

