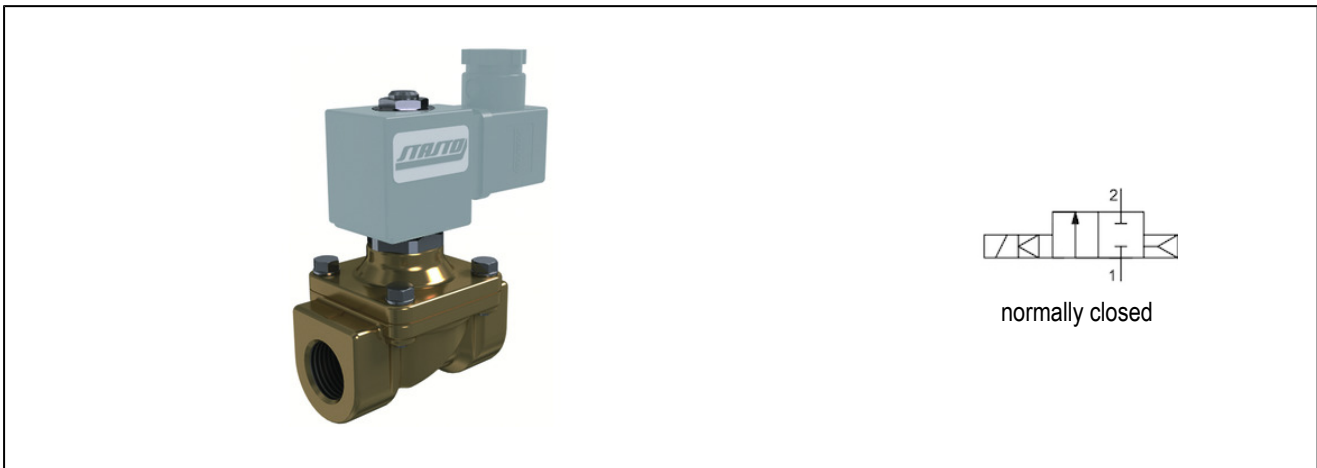


## 2/2 - way solenoid valve - combined operated, 3/8" ...1" series 21HT



design	2/2-way solenoidvalve with diaphragm, combined operated, normally closed
connection	G3/8"...G1" according to ISO228/1
materials	body brass, inner parts brass and stainless steel similar 1.4104, seals NBR or FKM
application	gaseous and liquid fluids which do not affect the used materials
viscosity	max. 12mm <sup>2</sup> /s (cst) respectively 2°E
switching time	dependent on operating pressure and medium
medium temperature	dependent on sealing material and coil
ambient temperature	see table "coil"
type of fixing	installed into rigid pipework
mounting position	preferably with a vertical electrical part
electrical data	
type of coil	type BDA, connector size 32mm (standard coil) type BDV, connector size 32mm (coil for humid area) type GDH/GDV, connector size 32mm (coil for DC, coil for humid area)
electrical connection	connector acc. to EN175301-803-form A (see separate datasheet)
type of current	AC and DC
standard voltage	230V/50-60Hz, 24V/50-60Hz, 24VDC
special voltage	12...400V/50Hz or 60Hz, 12...220VDC
acceptable voltage tolerance	AC +10% -15%, DC +10%-5%
power consumption	see to the table "power consumption of coils"
duty cycle	100% duty cycle (continuous operation)
protection class	IP65 nach EN 60529 bei ordnungsgemäß montiertem Kabeleingang (Schutz gegen Staubeintritt und Spritzwasser)
direction for use	please specify voltage and type of current by order. we always recommend connecting a strainer in front of the valve, otherwise malfunction can occur in the event of contaminated medium. these valves can also be used for rough vacuum.

## order code

21HT 3 K0 Y 110 - BDA - 230V/50-60Hz			
connection	G3/8"	3	
	G1/2"	4	
	G3/4"	5	
	G1"	6	
seal	NBR	Y	
	FKM	V	
nominal diameter	11mm	110	
	16mm	160	
	25mm	250	
coil	BDA standard coil		BDA
	BDP coil for humid area		BDP
	GDH/GDV coil for DC, coil for humid area		GDH
voltage	230V/50-60Hz		230V/50-60Hz
	24V/50-60Hz		24V/50-60Hz
	24VDC		24VDC
	12...400V/50Hz		12-400V/50Hz
	12...400V/60Hz		12-400V/60Hz
	12...220VDC		12-220VDC

## application of the individual seal materials

material	medium temperature	examples of use
NBR	-10...90°C	air, water, neutral gases and liquids
FKM	-10...140°C	oils, petrol, diesel

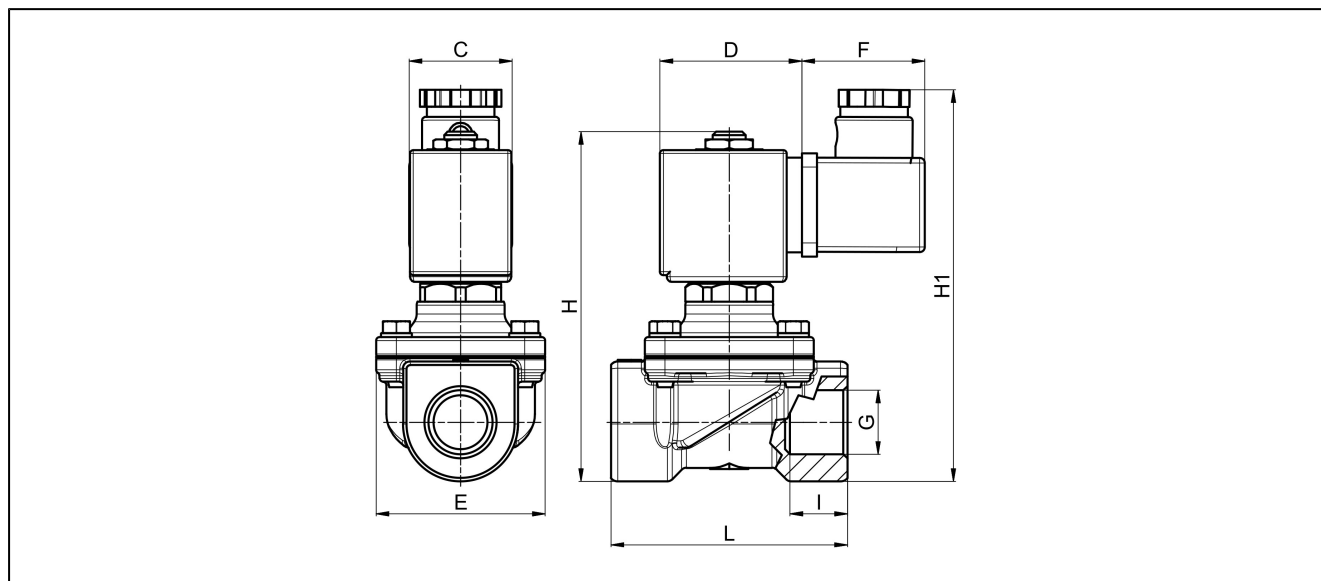
## coil

type	protection class	use	ambient temperature	approvals
BDA	IP65	Medium temperature up to max. 120°C	-10...+40°C	CE
BDV	IP65	medium temperature up to max. 160°C, high humidity	-20...+60°C	CE-CSA-UL-VDE
GDH	IP65	medium temperature up to max. 180°C, high humidity	-20...+40°C	CE
GDV	IP65	medium temperature up to max. 180°C, high humidity	-20...+60°C	CE-CSA-UL-VDE

## power consumption of the coils

voltage	inrush power (AC) VA	holding power (AC) VA	holding power (direct current) at operating temperature W	type
12VDC	-	-	8	BDA08012CS
24V/50-60Hz	25	14,5	-	BDA08024DS
24VDC	-	-	8	BDA08024CS
42V/50Hz	25	14,5	-	BDA08042AS
48V/50Hz	25	14,5	-	BDA08048AS
110VDC	-	-	8	BDA08110CS
110V/50-60Hz	25	14,5	-	BDA08110DS
115V/60Hz	25	14,5	-	BDA08115BS
220-230V/50-60Hz	25	14,5	-	BDA08223DS
380V50-60Hz	25	14,5	-	BDA08380DS
24VDC	-	-	11	BDV08024CY
24V/50-60Hz	25	17	-	BDV08024DY
110V/50Hz 120V/60Hz	25	15	-	BDV080110AY
230V/50Hz 240V/60Hz	25	16	-	BDV08230AY
12VDC	-	-	14	GDH14012CS
48VDC	-	-	14	GDH14048CS
220VDC	-	-	14	GDH14220CS
24VDC	-	-	14	GDV14024CY
24V/50-60Hz	43	26	-	GDV14024DY
230V/50Hz 240V/60Hz	43	27	-	GDV14230AY
110V/50Hz 120V/60Hz	43	23	-	GDV14110AY

## dimensions



connection G	nominal diameter DN[mm]	pressure range [bar] AC	pressure range [bar] DC	C	D	E	F	H	H1	I	L	kv value [m <sup>3</sup> /h water]	weight [approx. kg]	coil	type
G3/8"	11	0-14	-	30	42	50	36	89	102	12	56	1,2	0,45	BD.	21HT3K0.110
G3/8"	11	0-14	0-14	52	55	50	36	89	102	12	56	1,2	0,75	GD.	21HT3K0.110
G1/2"	16	0-14	-	30	42	50	36	100	113	14	70	2,4	0,66	BD.	21HT4K0.160
G1/2"	16	0-14	0-14	52	55	50	36	100	113	14	70	2,4	0,96	GD.	21HT4K0.160
G3/4"	16	0-14	-	30	42	50	36	100	113	16	70	2,4	0,66	BD.	21HT5K0.160
G3/4"	16	0-14	0-14	52	55	50	36	100	113	16	70	2,4	0,96	GD.	21HT5K0.160
G1"	25	0-8	-	30	42	65	36	112	125	18	104	7,2	0,90	BD.	21HT6K0.250
G1"	25	0-14	0-6	52	55	65	36	112	125	18	104	7,2	1,20	GD.	21HT6K0.250

illustrations are for information only and are non-binding  
all designs, configurations, measurements and materials are subject to change without prior notice