

General Purpose Relays & Sockets

Quick Selection Guide

Model	Contact form	For Socket (except KH-101)		For PCB		Compatible Sockets	
		W/O LED	W/ LED	W/O LED	W/ LED	For Din Rail	For PCB
KH-101	DPST NO	KH-101-2A	-	-	-	-	-
	DPDT	KH-101-2C	-	-	-	-	-
KH-102	DPDT	KH-102-2C	-	-	-	KH-RS-R8	-
	3PDT	KH-102-3C	-	-	-	KH-RS-R11	-
KH-103	SPDT	KH-103-1C	KH-103-1CL	KH-103-1CP	KH-103-1CPL	-	-
	DPDT	KH-103-2C	KH-103-2CL	KH-103-2CP	KH-103-2CPL	KH-RS-14M-8 KH-RS-14N-8	KH-RS-PC14-8 KH-RS-P14-8*
	DPDT	KH-103-H2C	KH-103-H2CL	-	-	KH-RS-H2C	-
	3PDT	KH-103-3C	KH-103-3CL	KH-103-3CP	KH-103-3CPL	-	-
	4PDT	KH-103-4C	KH-103-4CL	KH-103-4CP	KH-103-4CPL	KH-RS-14M KH-RS-14N	KH-RS-PC14 KH-RS-P14*

※ KH-RS-P14 and KH-RS-P14-8 are for wiring.

Note: When ordering, add the rated coil voltage behind the model number.

Example: KH-103-4CL-12VAC

Accessories

- DIN Rail: KH-TBR-2 (1m and 2m products are available.)
- End Plate

Koino[®]

www.koino.com

Copyright © 2009 KunHung Electric Co., Ltd. All rights reserved.

KH-101 30A Power Relay



KH-101-2A



KH-101-2C

Coil Ratings

Rated Voltage		Rated Current		Coil Resistance	Must Operate Voltage	Must Release Voltage	Max. Voltage	Power Consumption	
		50Hz	60Hz					50Hz	60Hz
AC	24	440	353	17	80%	60Hz: min. 30% 50Hz: min. 25%	110%	14VA	9.6VA (60Hz)
	110	116	96	163					
	220	55	45	1,080					
DC	12	210		58		min. 10%			
	24	97		240					
	48	67		720					
	110	26.5		3,910					

Contact Ratings

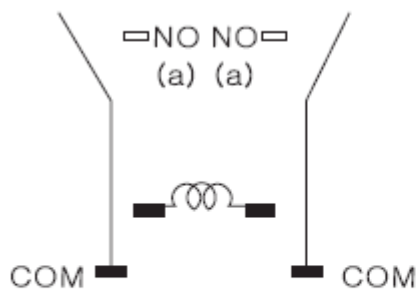
Item	Resistive Load ($\cos\theta=1$)	Inductive Load	
		($\cos\theta=0.4$)	L/R=7ms
Rated Load	110VAC 30A 24VDC 15A	110VAC 20A	24VDC 7.5A
Carry Current	30A		
Max. switching Voltage	500VAC, 250VDC		
Max. switching current	30A		

KH-101 30A Power Relay

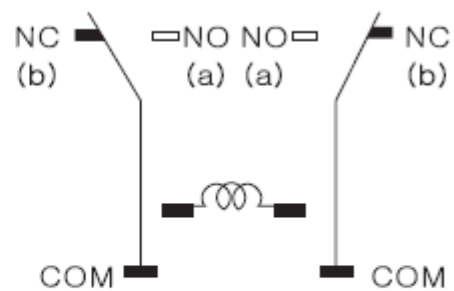
Specification

Contact Resistance	50mΩ Max.
Operate Time	50 ms Ma.
Release Time	50 ms Max.
Max. Operating Frequency	1,800 operations/hr
Insulation Resistance	100MΩ min.(at 500VDC)
Dielectric Strength	2,000VAC(50/60Hz) for 1 minutes
Vibration Resistance	Destruction: 10~55 Hz 1.5 mm double amplitude Malfunction: 0~40Hz 1.5 mm double amplitude
Shock Resistance	Destruction: 80G Malfunction: 4G
Endurance	Mechanical: 5,000,000 operations Electrical: 200,000 operations
Ambient Temperature	-5~+40°C
Ambient Humidity	45~85% RH
Weight	2A: 300g 2C: 350g

Contacts



KH-101-2A

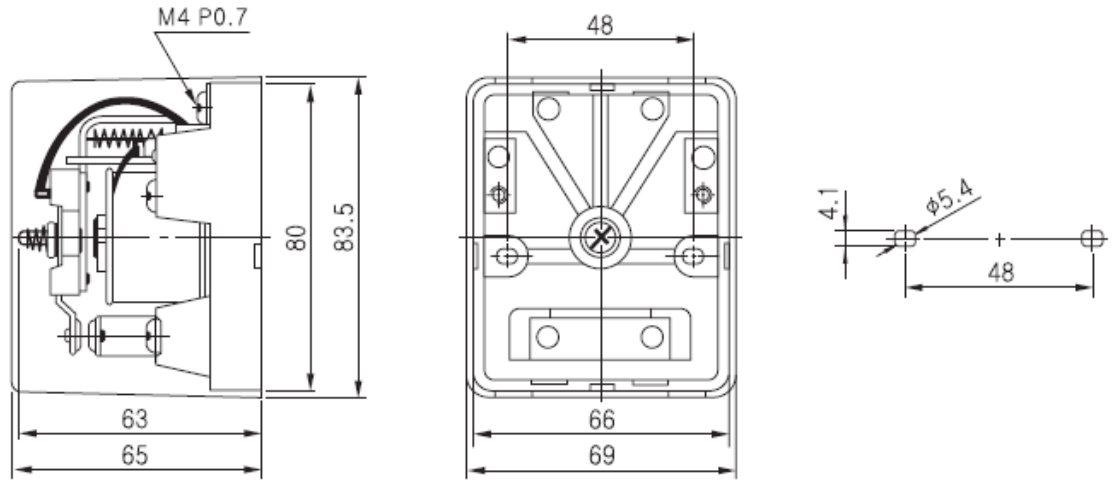


KH-101-2C

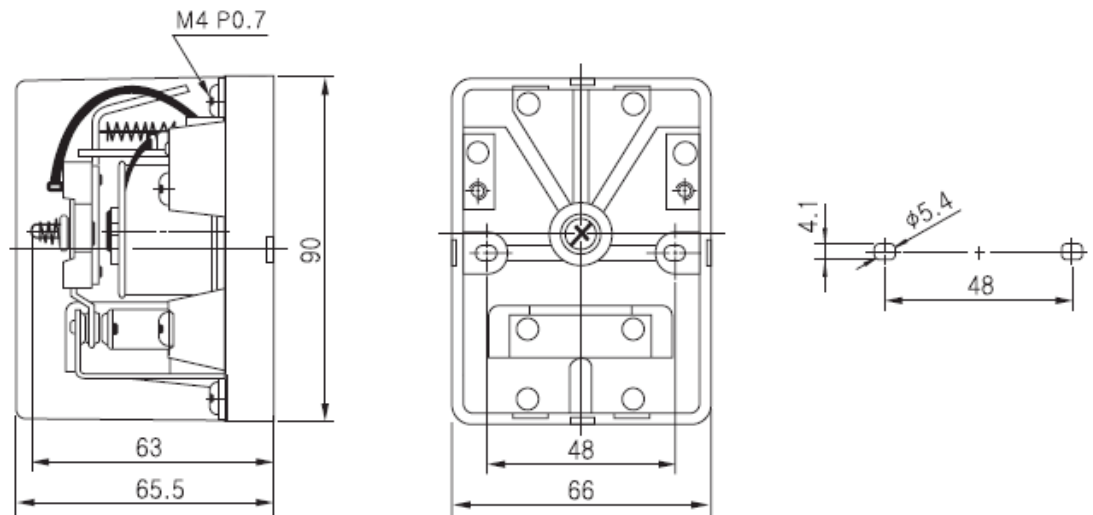
KH-101 30A Power Relay

Dimensions

KH-101-2A



KH-101-2C



KH-102 10A Power Relay



KH-102-2C



KH-102-3C



Coil Ratings

Rated Voltage		Rated Current		Coil Resistance	Must Operate Voltage	Must Release Voltage	Max. Voltage	Power Consumption	
		50Hz	60Hz					50Hz	60Hz
AC	6	490	420	4.6	80% Max.	30% min.	110%	3VA	2.5VA
	12	245	210	20					
	24	121	105	80					
	50	58	50	350					
	110	27	23	1,640					
	220	13.3	11.5	6,800					
	230	12.7	11	7,800					
	240	12.1	10.5	8,300					
DC	6	240		25	15% min.		1.5W		
	12	120		100					
	24	60		400					
	48	30		1,600					
	110	13		8,460					

KH-102 10A Power Relay

Contact Ratings

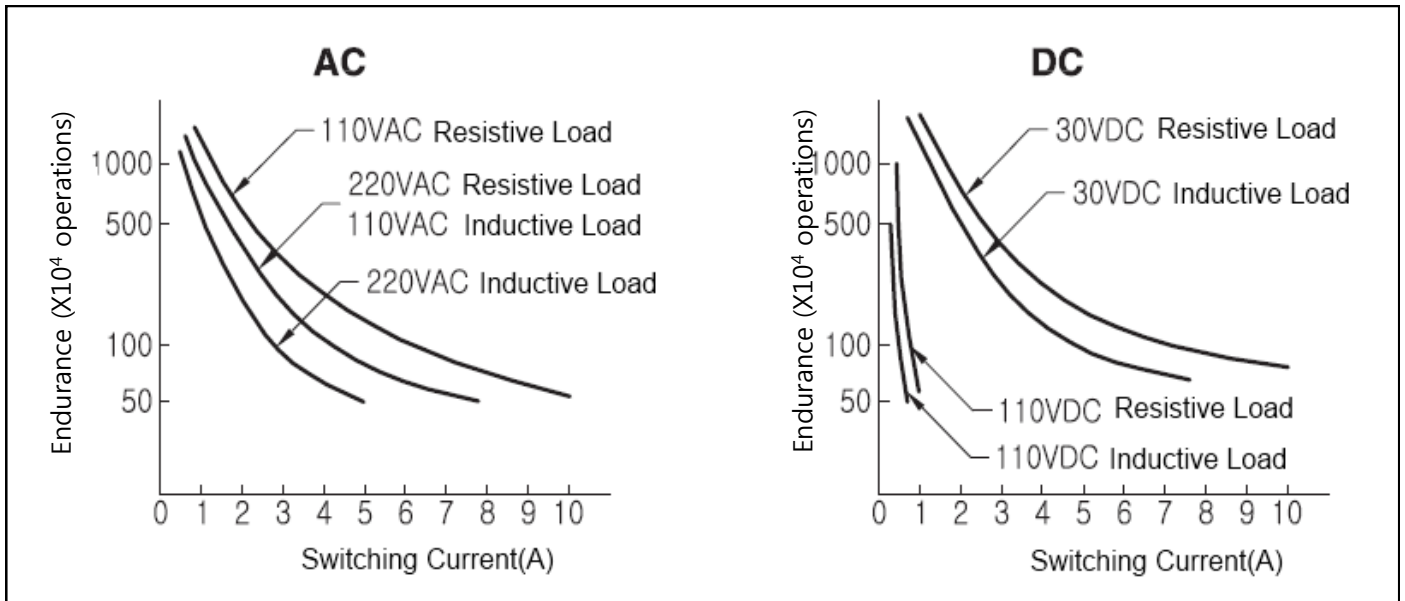
Item	Resistive Load ($\cos\theta=1$)	Inductive Load	
		($\cos\theta=0.4$)	L/R=7ms
Rated Load	110VAC 10A 220VAC 7A 24VDC 7A	110VAC 7.5A 220VAC 5A	24VDC 7.5A
Carry Current	10A		
Max. switching Voltage	AC: 1,650VA DC: 240W	AC: 1,100VA DC: 225W	
Max. switching current	10A		

Specification

Contact Resistance	30mΩ Max.
Operate Time	25 ms Ma.
Release Time	25 ms Max.
Max. Operating Frequency	1,800 operations/hr
Insulation Resistance	100MΩ min.(at 500VDC)
Dielectric Strength	1,500VAC(50/60Hz) for 1 minutes
Vibration Resistance	0~6G, 55Hz Max.
Shock Resistance	10G
Endurance	Mechanical: 50,000,000 operations Electrical: 500,000 operations
Ambient Temperature	-5~+40°C
Ambient Humidity	45~85% RH
Weight	KH-102-2C: 81g KH-102-3C: 91g

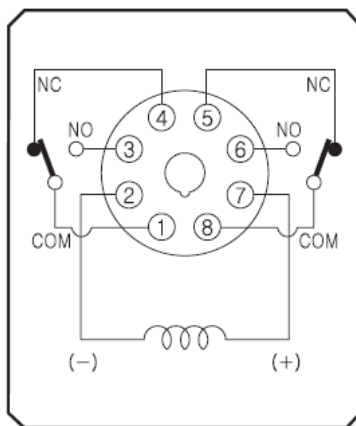
KH-102 10A Power Relay

Endurance

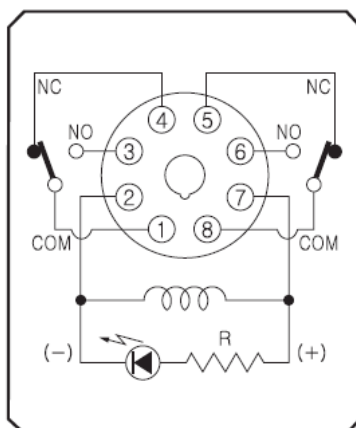
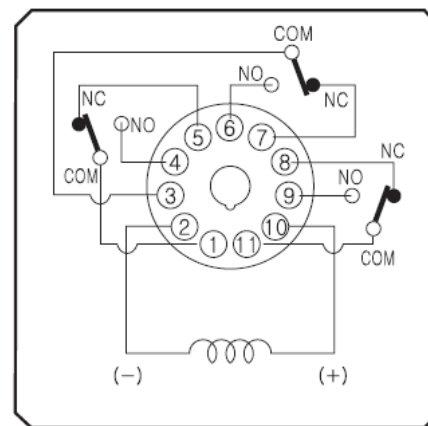


Internal Connection

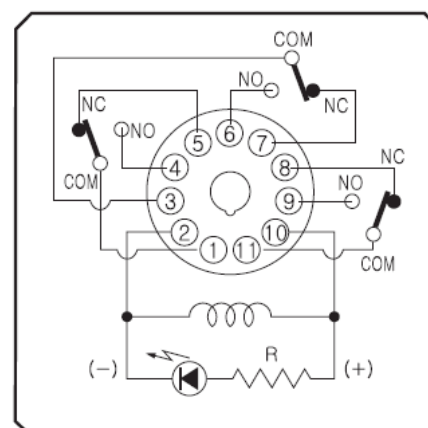
KH-102-2C



KH-102-3C



LED Type

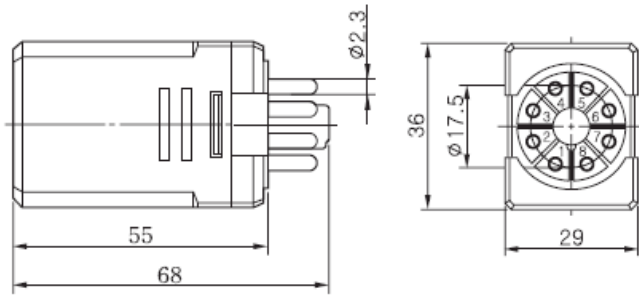


LED Type

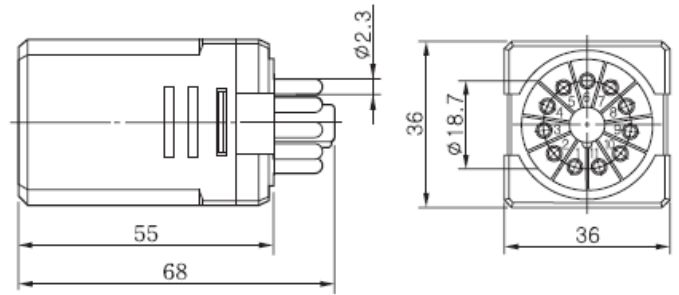
KH-102 10A Power Relay

Dimensions

KH-102-2C

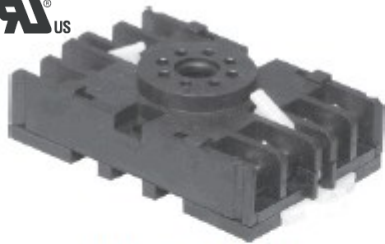


KH-102-3C

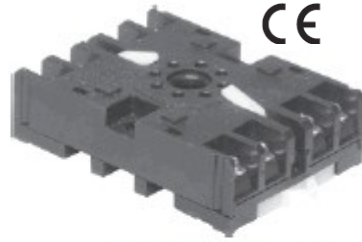


KH-102 Compatible sockets

For KH-102-2C



KH-TDR-R8



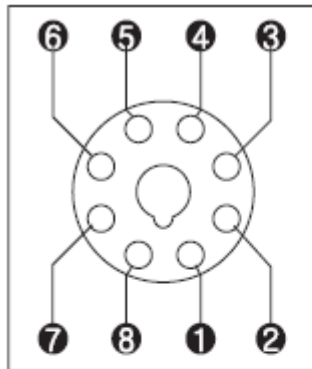
KH-KTS-8



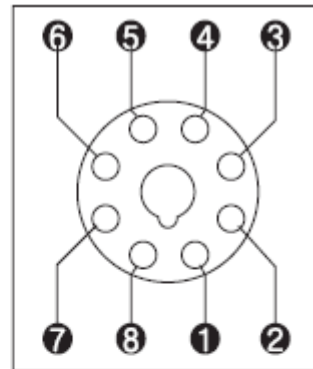
KH-RS-R8



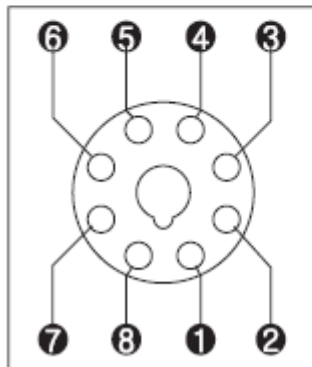
KH-MR-8



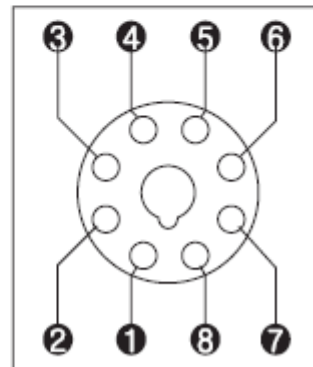
KH-TDR-R8



KH-KTS-8



KH-RS-R8

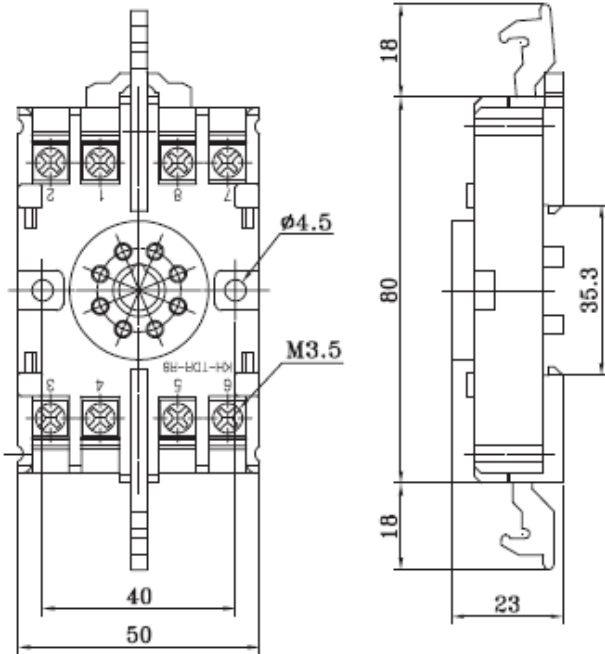


KH-MR-8

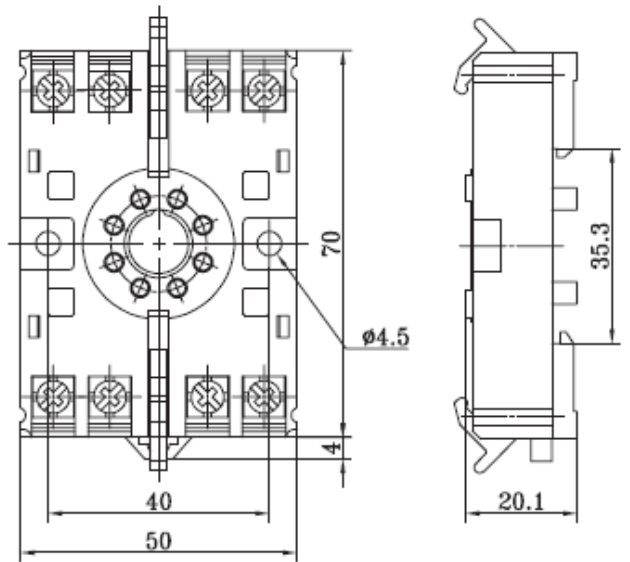
KH-102 Compatible sockets

Dimensions

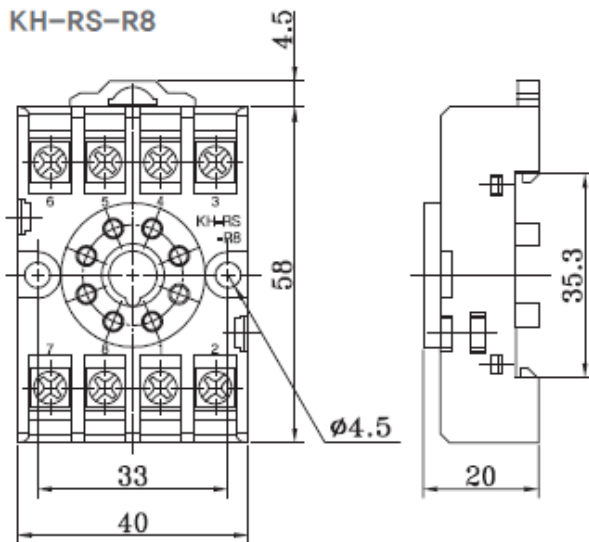
KH-TDR-R8



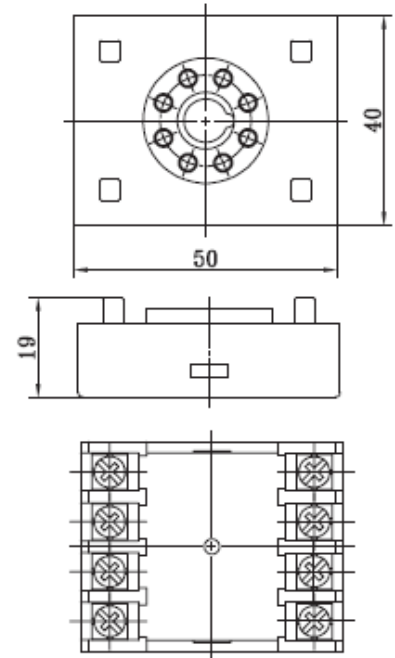
KH-KTS-8



KH-RS-R8

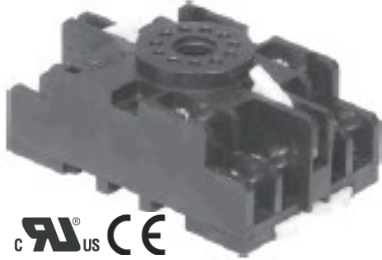


KH-MR-8



KH-102 Compatible sockets

For KH-102-3C



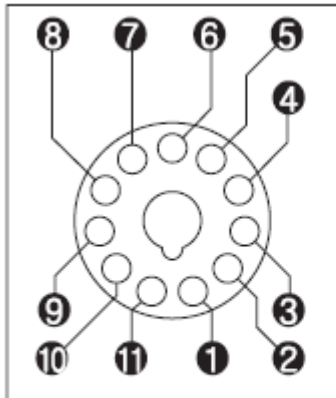
c  

KH-TDR-R11

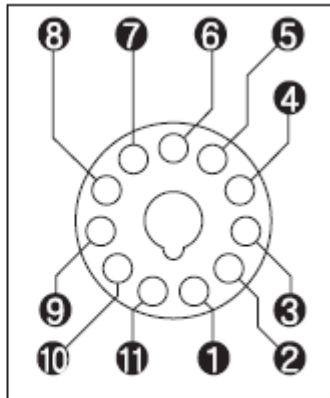


c  

KH-RS-R11



KH-TDR-R11

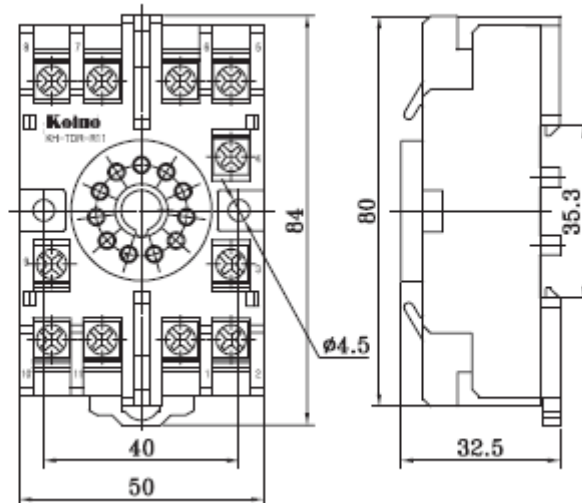


KH-RS-R11

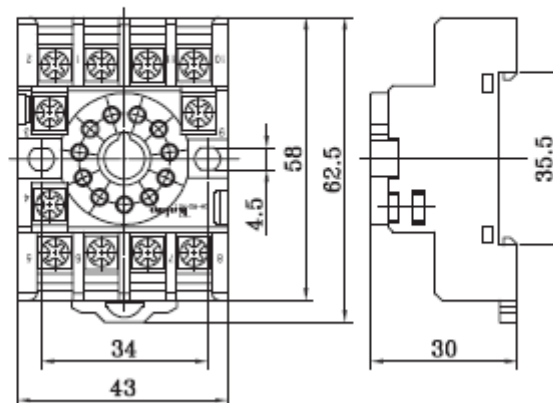
KH-102 Compatible sockets

Dimensions

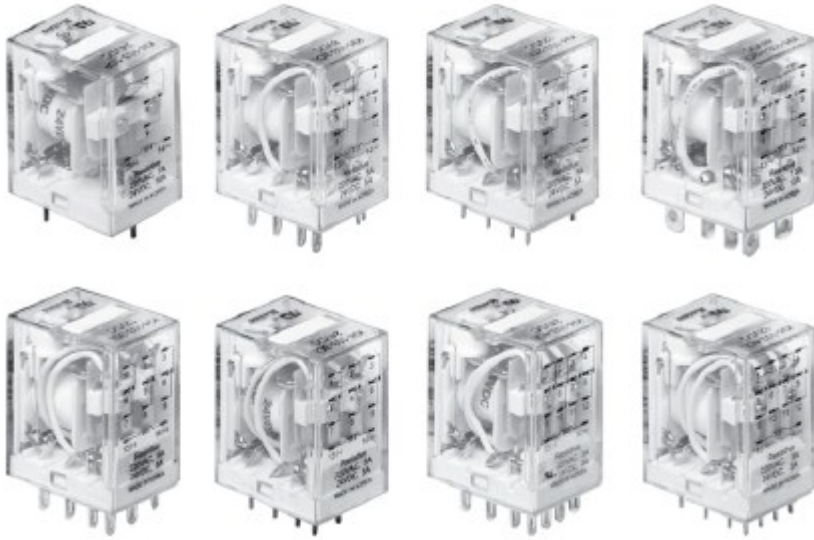
KH-TDR-R11



KH-RS-R11



KH-103 Miniature Relay



KH - 103 - □□ □ - □
① ② ③

①: Poles: 1C / 2C / 3C / 4C / H2C

②: Terminal type and Illumination

None: socket

P: for PCB

L: LED type

③: Rated Voltage

Ex) KH-103-4CPL-110VAC

Koino[®]

www.koino.com

Copyright © 2009 KunHung Electric Co., Ltd. All rights reserved.

KH-103 Miniature Relay

Coil Ratings

Rated Voltage	Rated Current								Coil Resistance				Max. Continuous Applied Voltage	Pickup Voltage	Must Release Voltage	
	50Hz				60Hz											
	1C	2C	3C	4C	1C	2C	3C	4C	1C	2C	3C	4C				
AC	6	238	238	238	238	200	200	200	200	9.6	9.6	9.6	9.6	110%	80% Max.	30% min.
	12	118	118	118	118	100	100	100	100	40.5	40.5	40.5	40.5			
	24	59.7	59.7	59.7	59.7	50	50	50	50	156.7	156.7	156.7	156.7			
	50	28.3	28.3	28.3	28.3	24	24	24	24	706	706	706	706			
	110	14.2	14.2	14.2	14.2	12	12	12	12	3,390	3,390	3,390	3,390			
	120	7.2	-	-	-	6	-	-	-	13,920	-	-	-			
	220	-	7.2	7.2	7.2	-	6	6	6	-	13,920	13,920	13,920			
	230	-	7.2	-	7.2	-	6	-	6	-	13,930	-	13,930			
	240	-	6.6	-	6.6	-	5.5	-	5.5	-	15,210	-	15,210			
DC	6	150								40						
	12	75								160						
	24	36.9								650						
	48	18.5								2,600						
	110	9.1								12,100						

KH-103 Miniature Relay

Contact Ratings

Item	Resistive Load ($\cos\theta=1$)				
	1C	2C	3C	4C	H2C
Rated Load	110VAC 10A 220VAC 7A 24VDC 10A	220VAC 5A 24VDC 5A		220VAC 3A 24VDC 3A	110VAC 10A 220VAC 7.5A 24VDC 10A
Carry Current	10A				
Max. switching Voltage	AC: 1,540VA DC: 168W	AC: 1,100VA DC: 120W		AC: 660VA DC: 72W	AC: 1,650VA DC: 240W
Max. switching current	10A				

Item	Inductive Load ($\cos\theta=0.3$)				
	1C	2C	3C	4C	H2C
Rated Load	110VAC 3A 220VAC 3A	220VAC 5A 24VDC 5A	220VAC 2A	110VAC 1.5A 220VAC 0.8A	110VAC 7.5A 220VAC 5A
Carry Current	10A	5A	5A	3A	10A
Max. switching Voltage	AC: 660VA DC: 72W	AC: 440VA DC:48W	AC: 440VA DC:48W	AC: 176VA DC: 24W	AC: 1,100VA DC: 225W
Max. switching current	10A	5A	5A	3A	

Item	Inductive Load ($L/R=7ms$)				
	1C	2C	3C	4C	H2C
Rated Load	24VDC 3A	24VDC 2A	24VDC 2A	24VDC 1A	24VDC 7.5A
Carry Current	10A	5A	5A	3A	10A
Max. switching Voltage	AC: 660VA DC: 72W	AC: 440VA DC:48W	AC: 440VA DC:48W	AC: 176VA DC: 24W	AC: 1,100VA DC: 225W
Max. switching current	10A	5A	5A	3A	10A

KH-103 Miniature Relay

Specification

Item		SPDT	2PDT	3PDT	4PDT	H2C
Contact Resistance		30mΩ Max.	50mΩ Max.			30mΩ Max.
Operate Time		20 ms Ma.				
Release Time		20 ms Max.				
Max. Operating Frequency		1,800 operations/hr				
Insulation Resistance		100MΩ min.(at 500VDC)				
Dielectric Strength	Between live and dead parts	1,500VAC(50/60Hz) for 1 minutes				
	Between contact and coil	1,000VAC(50/60Hz) for 1 minutes				
	Between contacts of the same pole	1,000VAC(50/60Hz) for 1 minutes				
Temperature elevation		Coil: 85°C Max, Contact: 65°C Max.				
Vibration Resistance		0~6G, 55Hz Max.				
Shock Resistance		20G				
Endurance		Mechanical: 50,000,000 operations Electrical: 200,000 operations				
Ambient Temperature		-5~+40°C				
Weight		32g		35g		

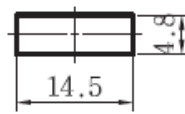
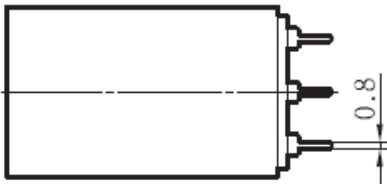
KH-103 Miniature Relay

Dimensions & Internal Connection (KH-103-1CP, -1CPL)

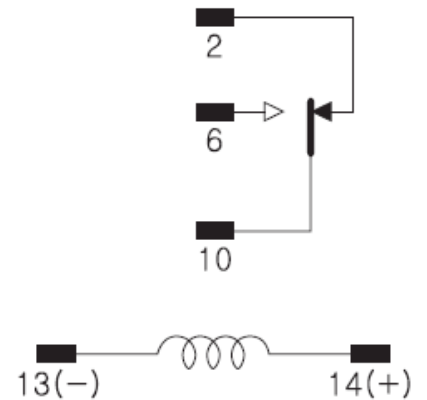
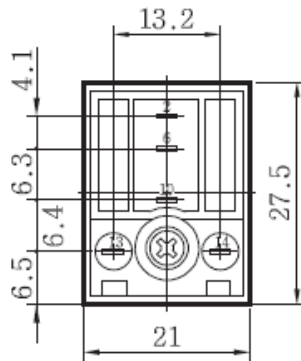
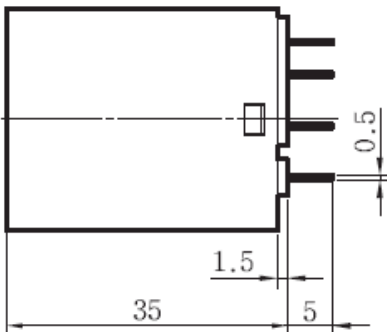


KH-103-1CP

KH-103-1CP, 1CPL

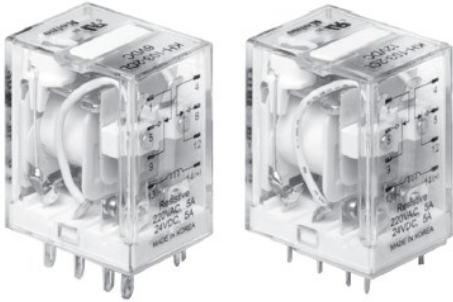


Name Plate



KH-103 Miniature Relay

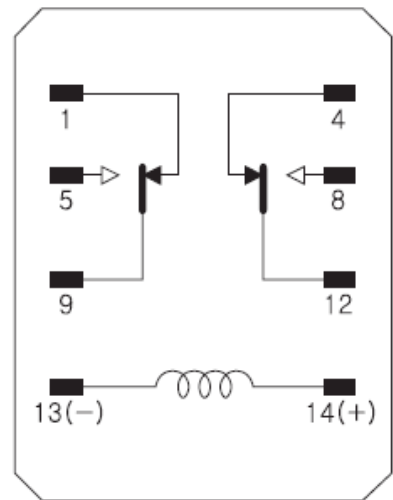
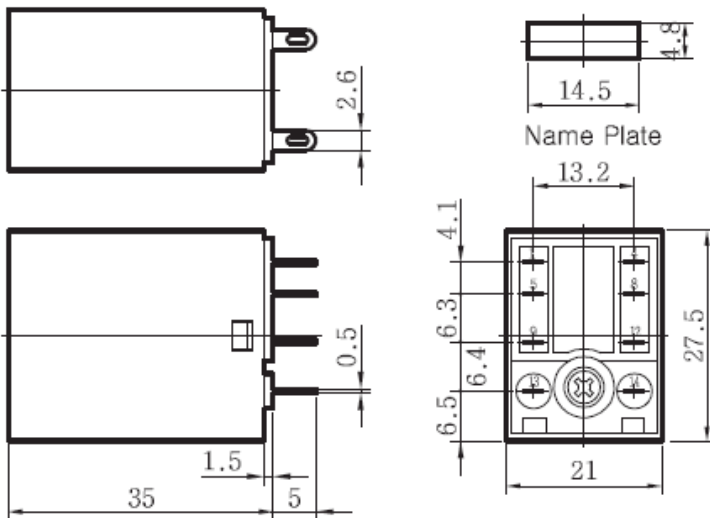
Dimensions & Internal Connection (KH-103-2C, -2CP, -2CL, -2CPL)



KH-103-2C

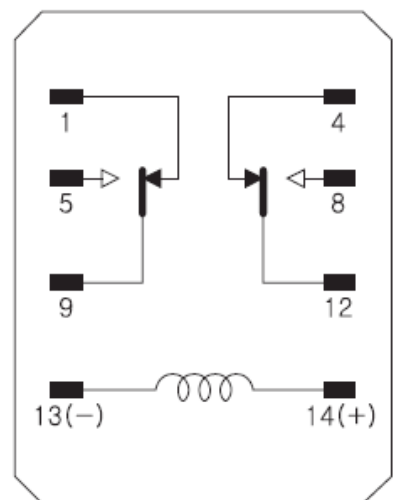
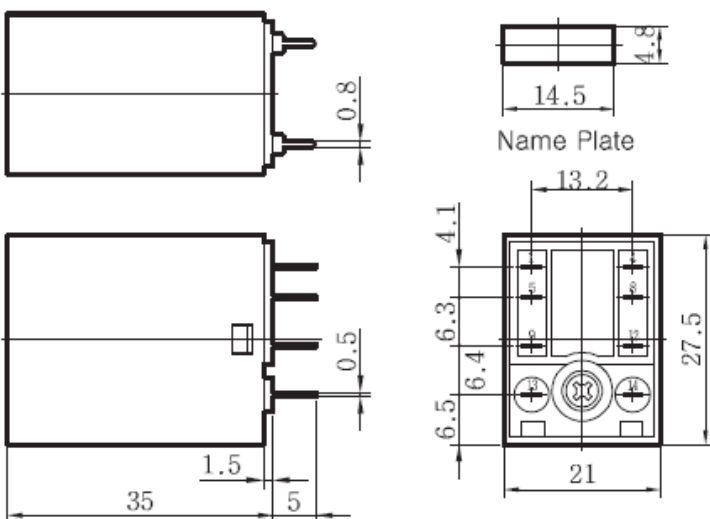
KH-103-2CP

KH-103-2C, 2CL



■ 적용소켓 : KH-RS-PC14-8, KH-RS-14N(M)-8, P14-8, RS-M8

KH-103-2CP, 2CPL



Koino[®]

www.koino.com

Copyright © 2009 KunHung Electric Co., Ltd. All rights reserved.

KH-103-2C Compatible Sockets

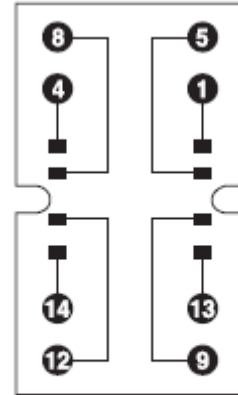
For KH-103-2C, -2CP, -2CL, -2CPL



KH-RS-14N-8



KH-RS-14M-8



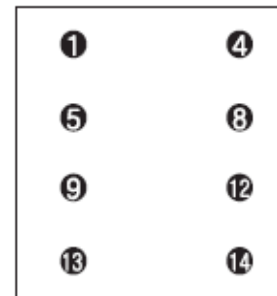
KH-RS-14N-8
KH-RS-14M-8



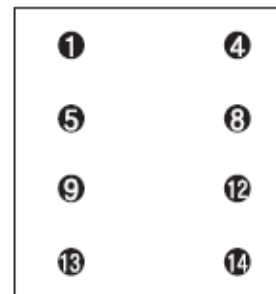
KH-RS-P14-8



KH-RS-PC14-8



KH-RS-P14-8

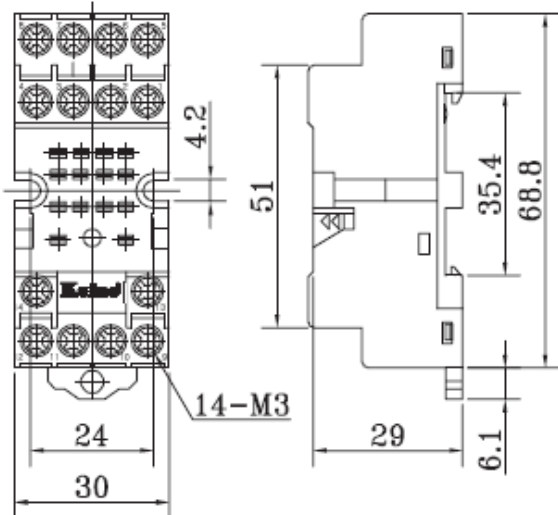


KH-RS-PC14-8

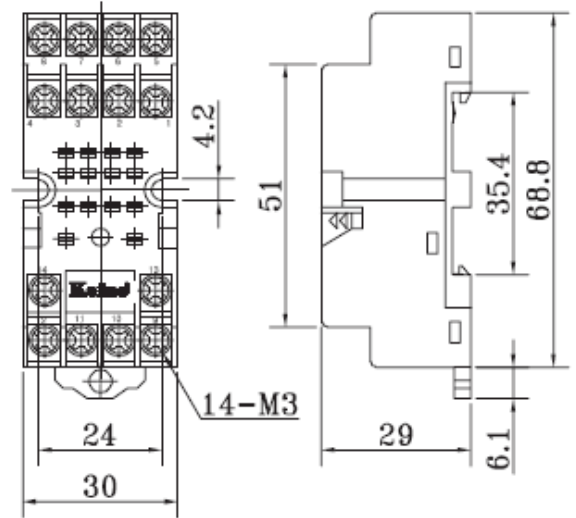
KH-103-2C Compatible Sockets

Dimensions

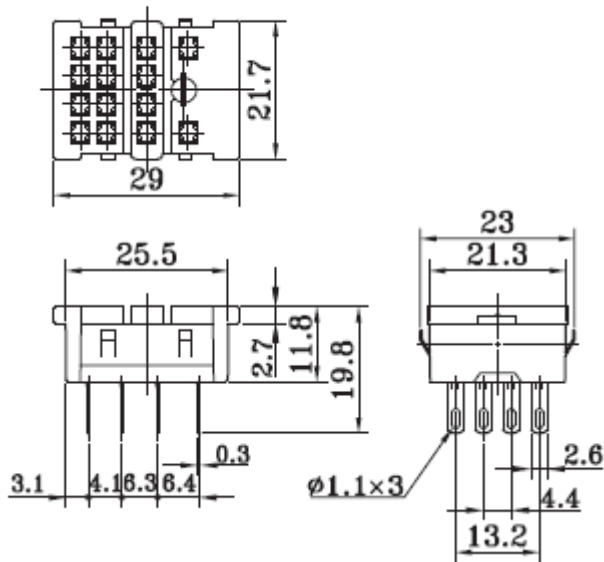
KH-RS-14N, KH-RS-14N-8



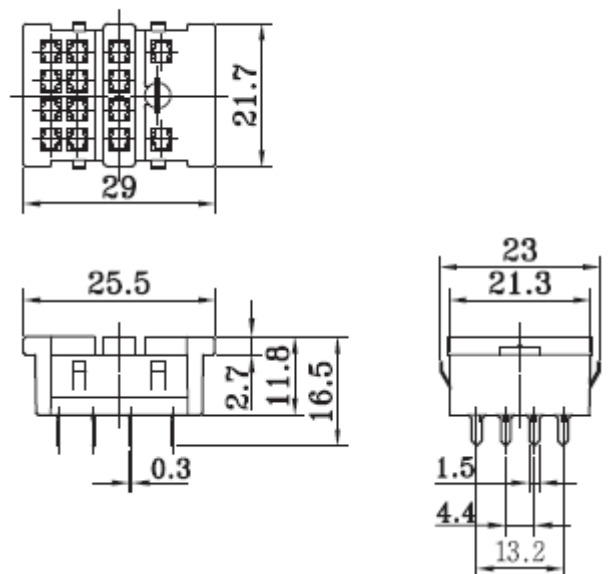
KH-RS-14M, KH-RS-14M-8



KH-RS-P14, KH-RS-P14-8



KH-RS-PC14, KH-RS-PC14-8



KH-103 Miniature Relay

Dimensions & Internal Connection (KH-103-3C, -3CP, -3CL, -3CPL)

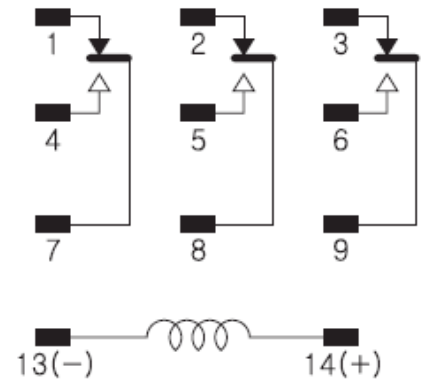
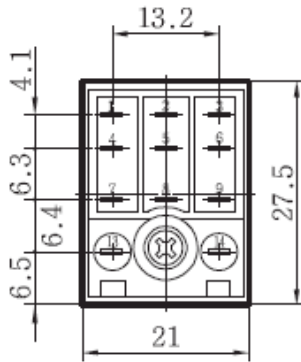
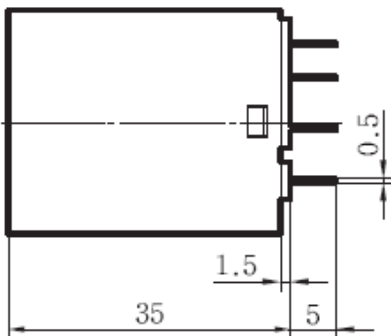
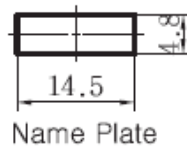
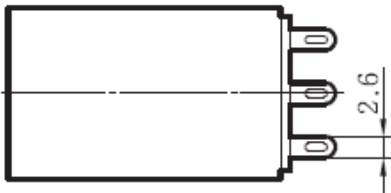


KH-103-3C

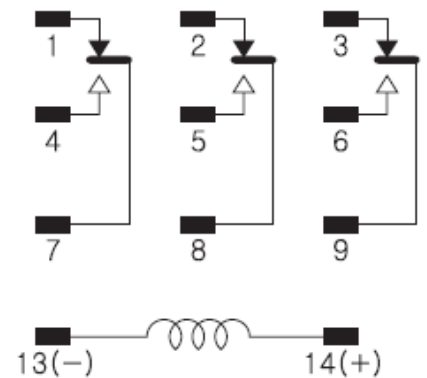
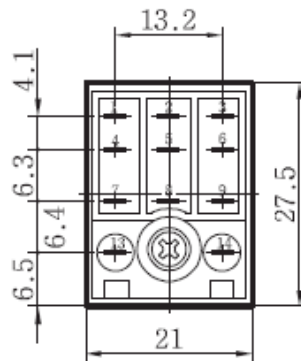
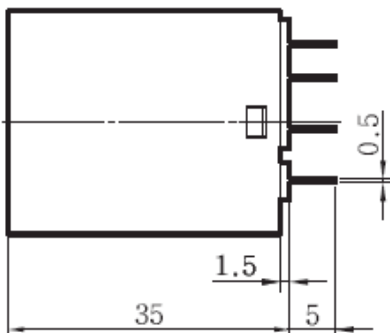
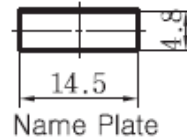
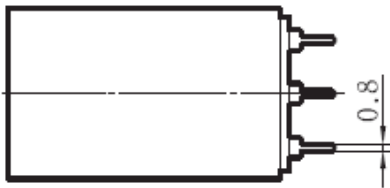


KH-103-3CP

KH-103-3C, 3CL

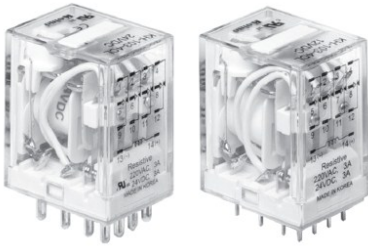


KH-103-3CP, 3CPL



KH-103 Miniature Relay

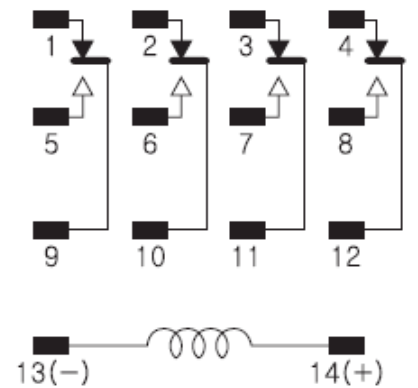
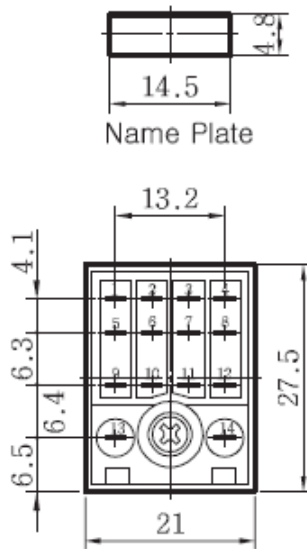
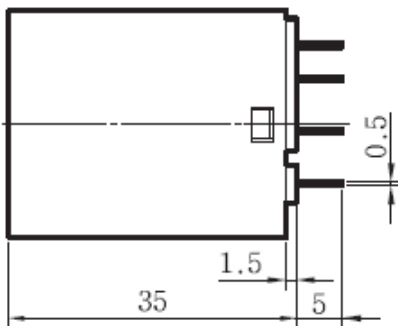
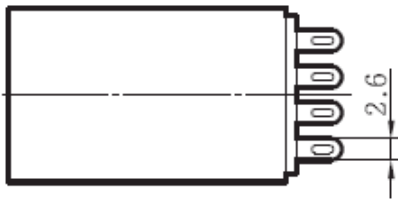
Dimensions & Internal Connection (KH-103-4C, -4CP, -4CL, -4CPL)



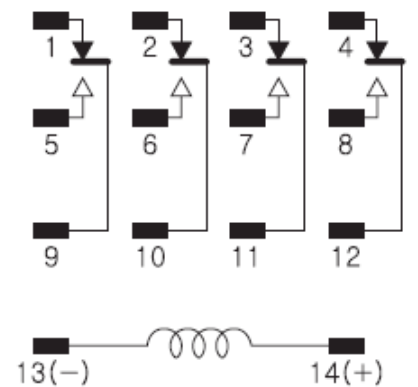
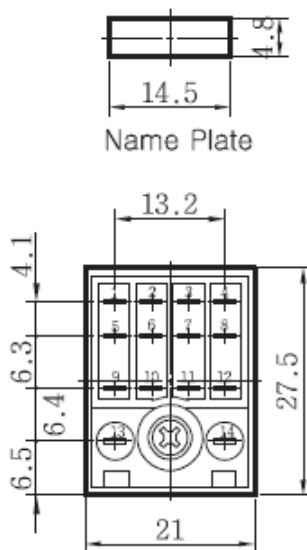
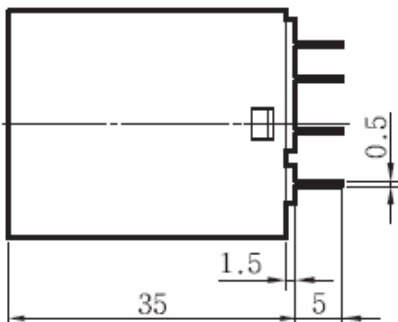
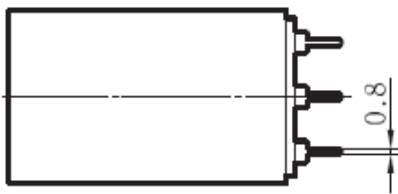
KH-103-4C

KH-103-4CP

KH-103-4C, 4CL



KH-103-4CP, 4CPL



KH-103-4C Compatible Sockets

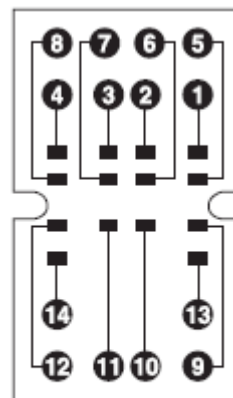
For KH-103-4C, -4CP, -4CL, -4CPL



KH-RS-14N



KH-RS-14M



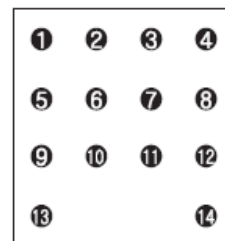
**KH-RS-14N
KH-RS-14M**



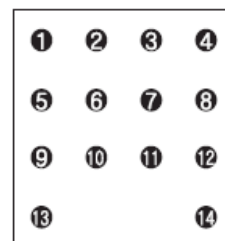
KH-RS-P14



KH-RS-PC14



KH-RS-P14

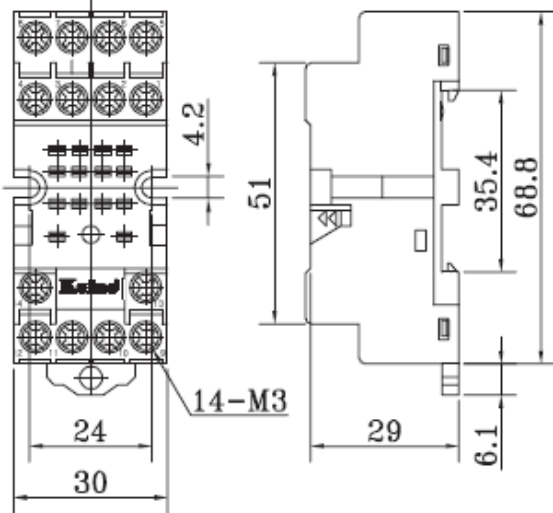


KH-RS-PC14

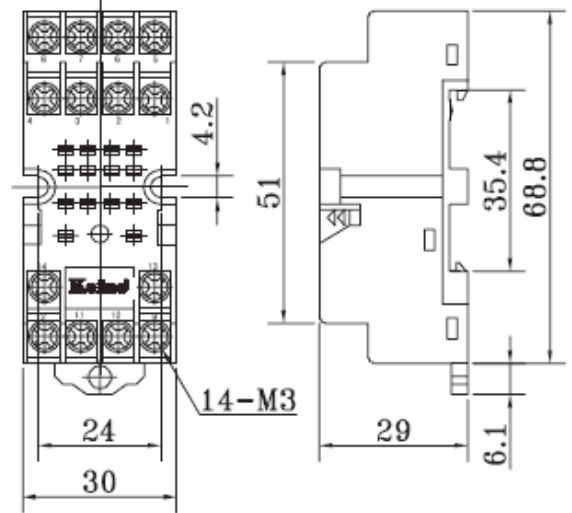
KH-103-4C Compatible Sockets

Dimensions

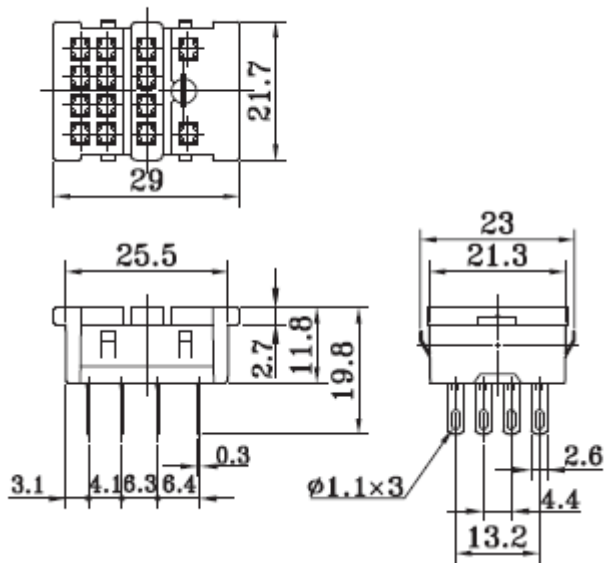
KH-RS-14N



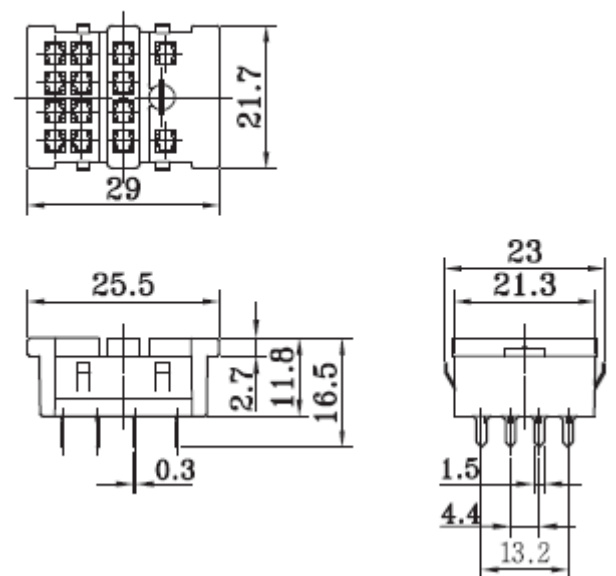
KH-RS-14M



KH-RS-P14



KH-RS-PC14

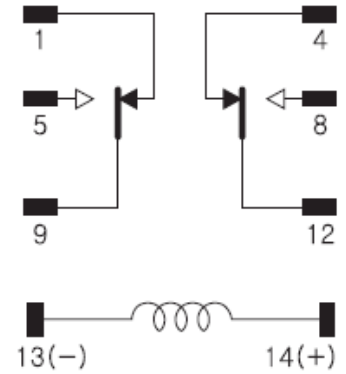
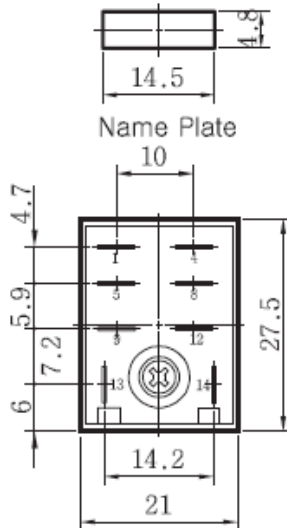
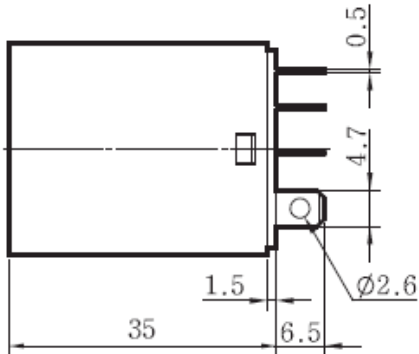


KH-103 Miniature Relay

Dimensions & Internal Connection (KH-103-H2C, -H2CL)



KH-103-H2C, H2CL

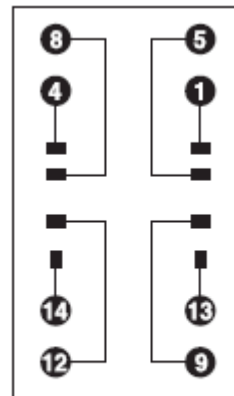


KH-103-H2C Compatible Socket

For KH-103-H2C, -H2CL



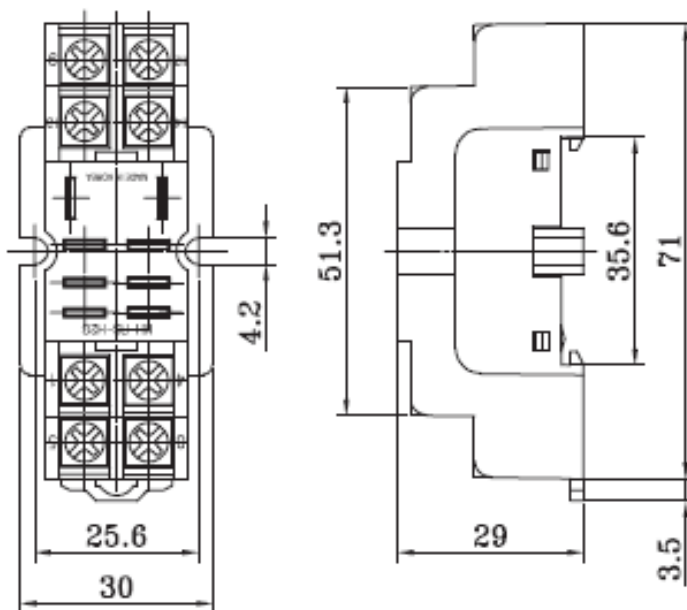
KH-RS-H2C



KH-RS-H2C

Dimension

KH-RS-H2C



KH-103 Miniature Relay

Internal Connection for LED Type

