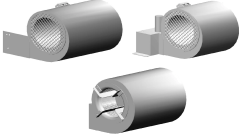
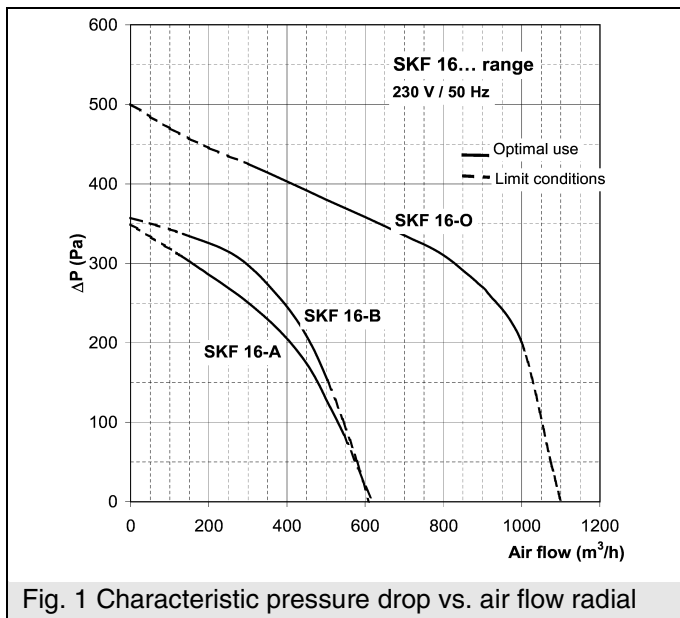


# Radial Fans

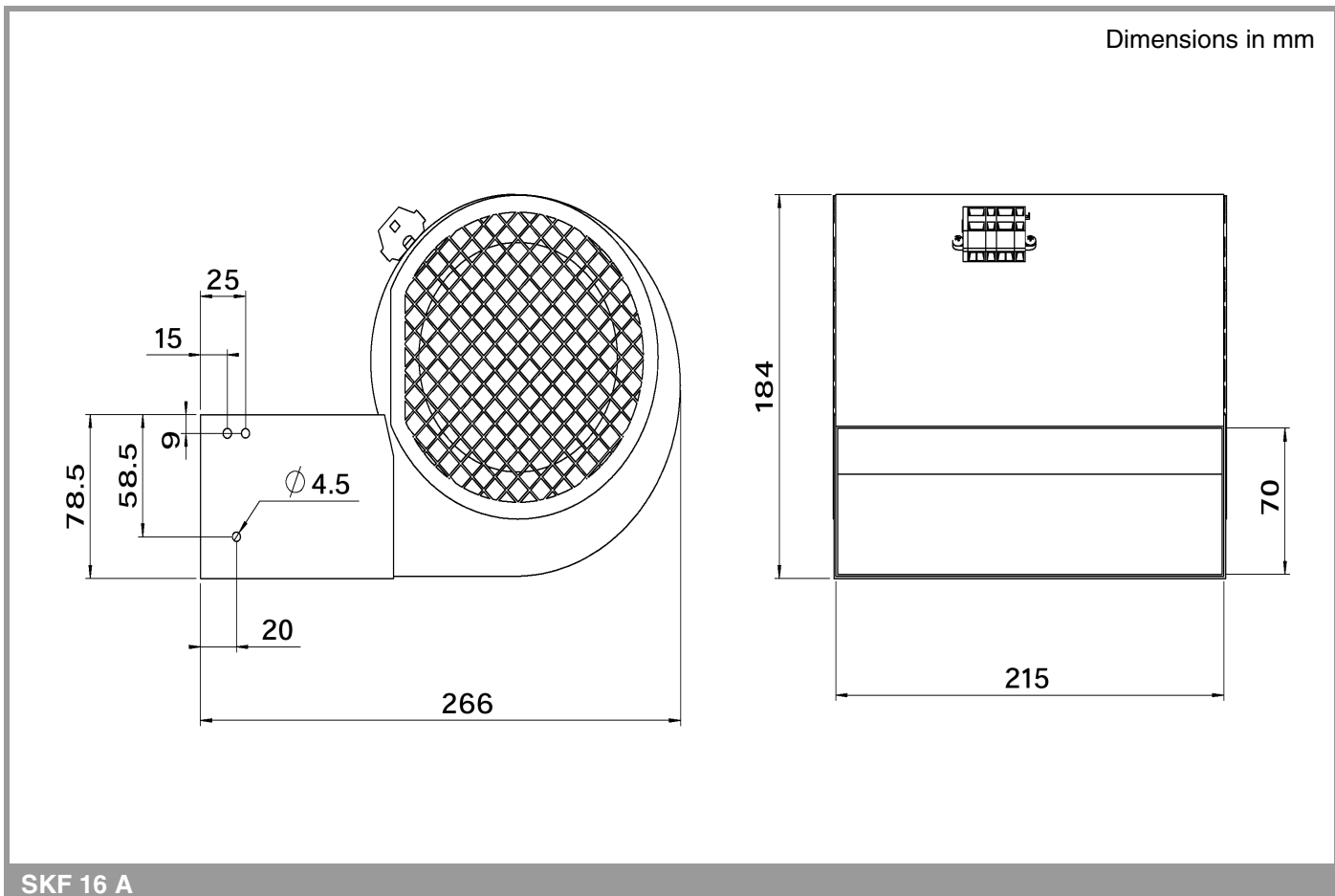
Types	Ident No.		f Hz	V <sub>1</sub> V	Max volume m <sup>3</sup> /h	P W	T <sub>amb</sub> max °C	Weight kg	Noise dB
SKF 16 A-230-01	VE001030 <sup>1)</sup>		50 / 60	230	615 / 575	135 / 154	50 / 40	3,6	55 / 57
SKF 16 A-230-11	30756640		50 / 60	230	615 / 575	135 / 154	50 / 40	3,6	55 / 57
SKF 16 B-230-01	30119362		50 / 60	230	610 / 565	170 / 197	40	3,6	58 / 57
SKF 16 O-230-01	30119366		50	230	1000	300	40	4,4	

<sup>1)</sup> without air duct



## Features

- Low noise level
- Long-life, maintenance free ball bearings
- Blowing fan
- Integrated capacitor (when needed)



# Radial Fans

