

MV-CONNEX Pluggable Connection System



1 MV-CONNEX-T-joint

Single-pole, metal-encapsulated, resistant to outside air, soil-resistant. The connection is established by inserting the CONNEX cable connector. Cast shieldings additionally guarantee a short-circuit-resistant cable shielding connection. In the event of network modifications, the underground T-joints can be replaced by CONNEX cable joints.

Using this T-joint and the CONNEX coupling connector, switching stations that are equipped with CONNEX appliance connecting parts can later be expanded to become twin connections. In addition, a plug-in cable branch wire can also be realised.

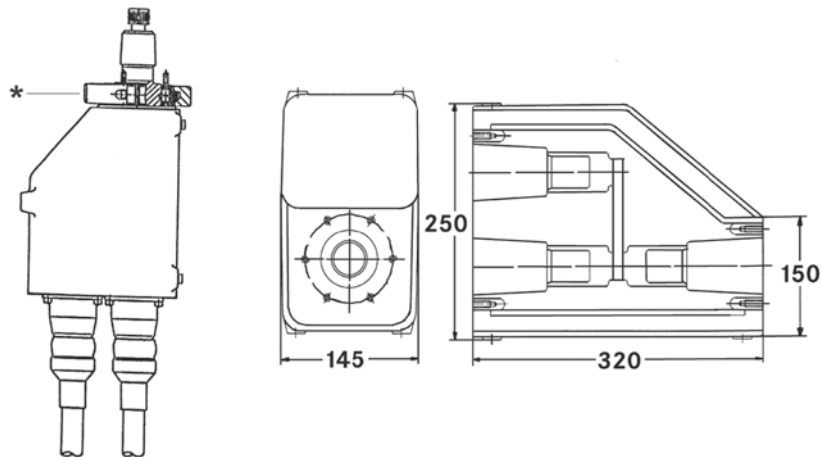


2 The single-pole T-joint is provided wired ready for connection. The CONNEX contact bushings are integrated in the soil-resistant insulating bodies.

*) MV-CONNEX Coupling Connector, is available only in size 2



3



Measurements of size 1 and size 2 (size 3 on request)

No.	Size	Max. operating voltage		Nominal current	Type	Weight	
		U_m (kV)	I_N (A)				
827 147 001	1	36	630	with metal housing, not soilproof	21.0		1
827 147 002	2	42	800	with metal housing, not soilproof	21.0		1
827 221 001	1	36	630	soilproof	17.6		2
827 221 002	2	42	800	soilproof	17,6		2
827 227 001	3	52	1250	soilproof	46,0		3