

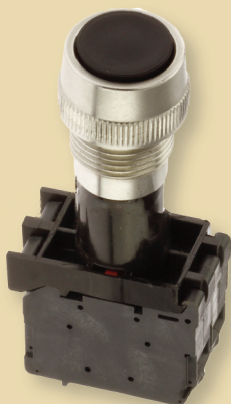
# PUSH BUTTON

series  
**RX - RS**

Protection	Gas	Zone	1-2	II2G	Ex d IIC or IIB+H <sub>2</sub> Gb
	Dusts	Zone	21-22	II2D	Ex tb IIIC Db

Degree of Protection	IP66
----------------------	------

Amb. Temp.	Standard	-20°C	+40°C



Standards and Certificates



Directive 2014/34/EU (ATEX)

EN 60079-0 • EN 60079-1 • EN 60079-31

U

INERIS 14 ATEX 9009U



IEC 60079-0 • IEC 60079-1 • IEC 60079-31

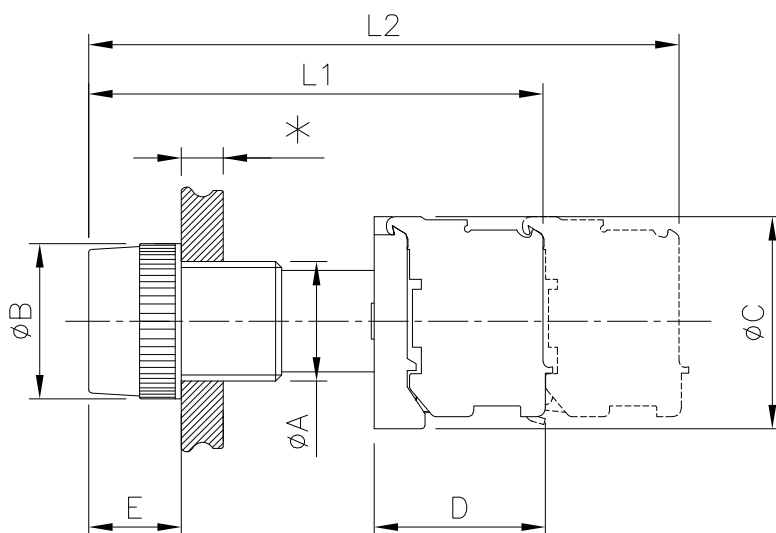
IECEX INE 14.0023U

- Body in Nickel plated Brass.
- Drive shafts in Stainless Steel AISI 316L.
- Push Button in Polyamide 6 (on request Stainless Steel).
- Ring nuts in Nickel plated Brass (on request Stainless Steel or Polycarbonate).
- Operating temperature: -50°C ÷ +180°C.

Options

- Stainless Steel version (RX...I & RS...I).
- Two or more contacts available.

- Color of push button different than black (standard): red, green, yellow, white or blue.



## NOTES

The control and signaling units get same temperature class as the enclosure on which they are installed.

(\*) Units RX.. shall be installed on enclosures with internal volume up to 2 dm<sup>3</sup>; whereas units RS.. shall be installed on enclosures with volume up to 160,6 dm<sup>3</sup> for group IIB+H<sub>2</sub> and up to 62,9 dm<sup>3</sup> for group IIC.

These units may be installed on electrical equipment suitable for group IM2 (fire-damp mines) if no component is made of light alloy. In such case mode of protection will be labelled Ex d I Mb.

(\*) See page B11 for enclosures CCA-CPS, page B21 for CCL-CPL and page B31 for CCF.

Contacts: more information on page C21.

Type	ØA Threading	ØB	ØC	D	E	L1	L2	Weight (g)
RX1P..	M20x1,5	26	38	29	16	72	95	59
RX2P..	M25x1,5	32	38	29	16	72	95	71
RS1P..	M20x1,5	26	38	29	16	78	101	69
RS2P..	M25x1,5	32	38	29	16	78	101	98

### Example: RX2PK-01

Order Coding

Type
<b>RX</b> = V<2 dm <sup>3</sup> (*)
<b>RS</b> = V>2 dm <sup>3</sup> (*)

Size
<b>1</b> = M20x1,5
<b>2</b> = M25x1,5

Main Function
<b>P</b> = Pushbutton

Push button color
<b>K</b> = black
<b>G</b> = green
<b>Y</b> = yellow
<b>R</b> = red
<b>W</b> = white
<b>B</b> = blue

Electric Contact
<b>10</b> = 1 NO
<b>01</b> = 1 NC
<b>11</b> = 1 NO+1 NC

# ILLUMINATED PUSH BUTTON

series  
**RX - RS**

Protection	Gas	1-2	II2G	Ex d IIC or IIB+H <sub>2</sub> Gb
	Dusts	Zone 21-22	II2D	Ex tb IIIC Db

Degree of Protection  
**IP66**

Amb. Temp.	Standard	-20°C	+40°C
	Extended	-50°C	+80°C

**NEW!**



Standards and Certificates



Directive 2014/34/EU (ATEX)

EN 60079-0 • EN 60079-1 • EN 60079-31

U INERIS 14 ATEX 9009U



IEC 60079-0 • IEC 60079-1 • IEC 60079-31

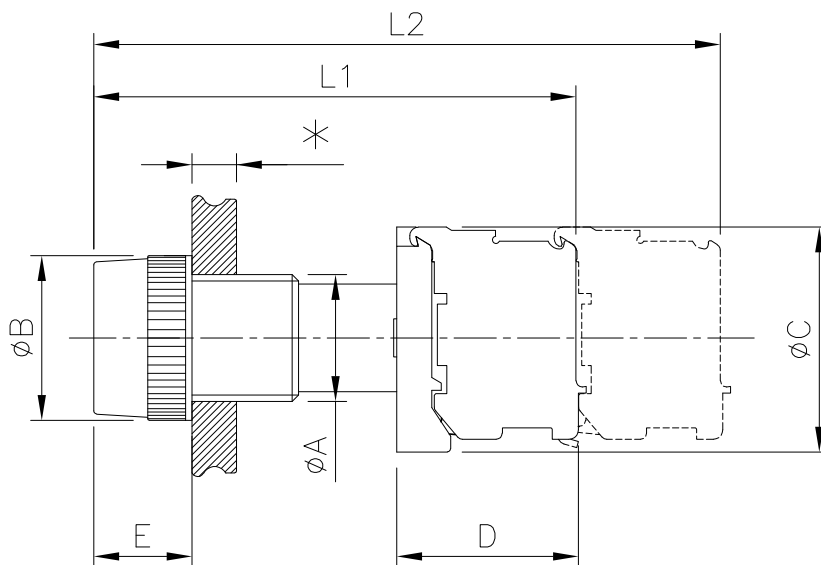
IECEX INE 14.0023U

- Illuminated pushbutton with LED lamp.
- Body in Nickel plated Brass.
- Drive shafts in Stainless Steel AISI 316L.
- Push Button in Polyamide 6.
- Ring nuts in Nickel plated Brass (on request Stainless Steel or Polycarbonate).
- Operating temperature: -50°C ÷ +180°C.

**Options**

- Complete Stainless Steel version (RX...I & RS...I).
- LED lamps with different voltages and colors.

- Two or more contacts available.
- Different push button color: red, green, yellow, white or blue.



Type	ØA Threading	ØB	ØC	D	E	L1	L2	Weight (g)
RX2PL..	M25x1,5	32	38	29	16	72	95	91
RS2PL..	M25x1,5	32	38	29	16	78	101	104

## NOTES

The control and signaling units get same temperature class as the enclosure on which they are installed.

(\*) Units RX.. shall be installed on enclosures with internal volume up to 2 dm<sup>3</sup>; whereas units RS.. shall be installed on enclosures with volume up to 160,6 dm<sup>3</sup> for group IIB+H<sub>2</sub> and up to 62,9 dm<sup>3</sup> for group IIC.

These units may be installed on electrical equipment suitable for group IM2 (fire-damp mines) if no component is made of light alloy. In such case mode of protection will be labelled Ex d I Mb.

(\*) See page B11 for enclosures CCA-CPS, page B21 for CCL-CPL and page B31 for CCF.

Contacts: more information on page C21.

### Example: RS2PLR-103

Order Coding

Type	Size	Main Function	Push button / LED color	Electric Contact	LED Voltage
RX = V < 2 dm <sup>3</sup> (*)	2 = M25x1,5	PL = Illuminated Pushbutton	G = green	10 = 1 NO	3 = 24 V ac/dc
RS = V > 2 dm <sup>3</sup> (*)			Y = yellow	01 = 1 NC	5 = 120 V ac
			R = red	11 = 1 NO+1 NC	7 = 230 V ac
			W = white		
			B = blue		

# SIGNALING UNIT

series  
**RX - RS**

Protection	Gas	Zone	1-2	II2G	Ex d IIC or IIB+H <sub>2</sub> Gb
	Dusts	Zone	21-22	II2D	Ex tb IIIC Db

Degree of Protection	IP66
----------------------	------

Amb. Temp.	Standard	-20°C	+40°C



Standards and Certificates



Directive 2014/34/EU (ATEX)

EN 60079-0 • EN 60079-1 • EN 60079-31

U

INERIS 14 ATEX 9009U



IEC 60079-0 • IEC 60079-1 • IEC 60079-31

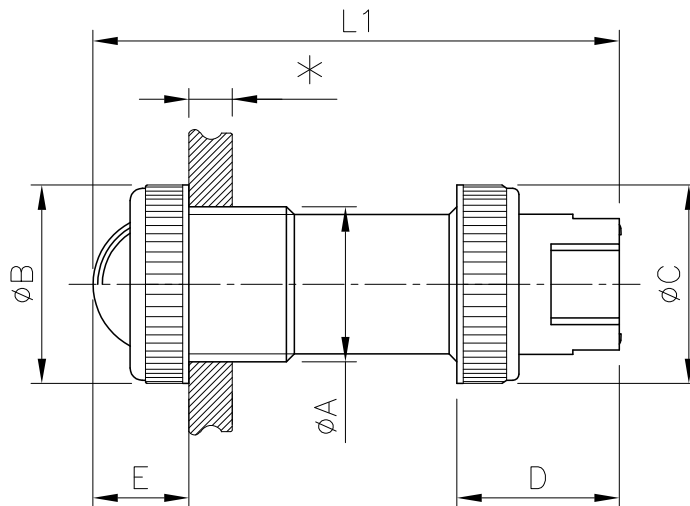
IECEX INE 14.0023U

- Body in Nickel plated Brass.
- Internal optical components in tempered glass.
- Colored caps in self-extinguishing polycarbonate.
- Operating temperature: -50°C ÷ +180°C.
- Lamp holder Ba9S for RX1../RS1...
- Lamp holder Ba15S for RX2../RS2...
- Complete of lamp on request (different voltages are available).

Options

- Complete Stainless Steel version (RX...I & RS...I).

- Filters of different colors: red, green, yellow, white or blue.



## NOTES

The control and signaling units get same temperature class as the enclosure on which they are installed.

(\*) Units RX.. shall be installed on enclosures with internal volume up to 2 dm<sup>3</sup>; whereas units RS.. shall be installed on enclosures with volume up to 160,6 dm<sup>3</sup> for group IIB+H<sub>2</sub> and up to 62,9 dm<sup>3</sup> for group IIC.

These units may be installed on electrical equipment suitable for group IM2 (firedamp mines) if no component is made of light alloy. In such case mode of protection will be labelled Ex d I Mb.

(\*) See page B11 for enclosures CCA-CPS, page B21 for CCL-CPL and page B31 for CCF.

Lamps: more information on page C22.

**Remark:** lamp is supplied on request.

Type	ØA Threading	ØB	ØC	D	E	L	Weight (g)
RX1L..	M20x1,5	26	26	25	14	72	63
RX2L..	M25x1,5	32	32	33	16	78	101
RS1L..	M20x1,5	26	26	25	14	80	68
RS2L..	M25x1,5	32	32	27	16	82	108

### Example: RS1LY-7

Order Coding

Type
RX = V < 2 dm <sup>3</sup> (*)
RS = V > 2 dm <sup>3</sup> (*)

Size
1 = M20x1,5
2 = M25x1,5

Main Function
L = Signaling

Filter / LED color
G = green
Y = yellow
R = red
W = white
B = blue

LED Voltage
3 = 24 V ac/dc
5 = 120 V ac
7 = 230 V ac

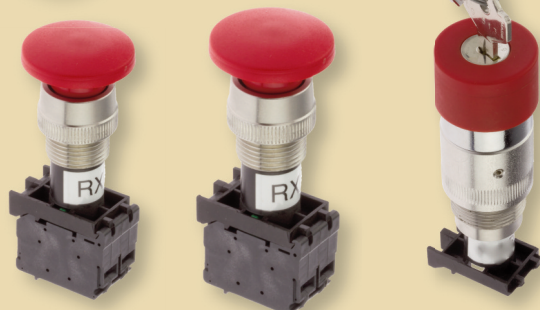
# MUSHROOM PUSH BUTTON

series  
**RX - RS**

Protection	Gas	1-2	II2G	Ex d IIC or IIB+H <sub>2</sub> Gb
	Dusts	Zone 21-22	II2D	Ex tb IIIC Db

Degree of Protection	IP66
----------------------	------

Amb. Temp.	Standard	-20°C	+40°C
	Extended	-50°C	+80°C



Standards and Certificates



Directive 2014/34/EU (ATEX)

EN 60079-0 • EN 60079-1 • EN 60079-31

U INERIS 14 ATEX 9009U



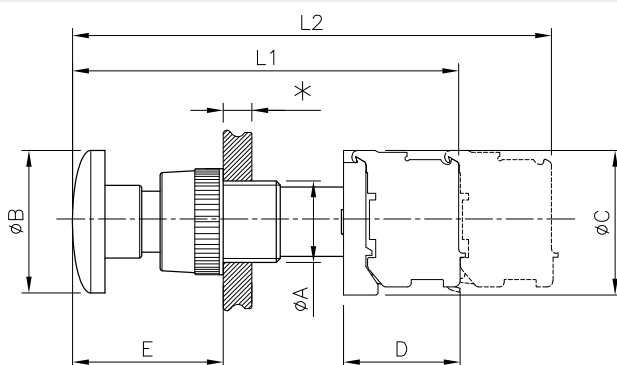
IEC 60079-0 • IEC 60079-1 • IEC 60079-31

IECEX INE 14.0023U

- Body in Nickel plated Brass.
- Drive shafts in Stainless Steel AISI 316L.
- Mushroom Push Button in Polyamide 6.
- Ring nuts in Nickel plated Brass (on request Stainless Steel or Polycarbonate).
- Operating temperature: -50°C ÷ +180°C.

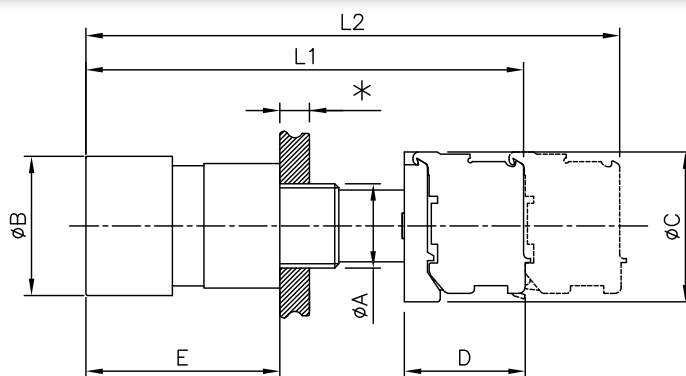
**Options** - Complete Stainless Steel version (RX...I & RS...I).  
- Two or more contacts available.

- Black color mushroom button.



F = Normal

Type	ØA Threading	ØB	ØC	D	E	L1	L2	Weight (g)
RX1F..	M20x1,5	35	38	29	30	86	109	66
RX2F..	M25x1,5	50	38	29	30	86	109	88
RS1F..	M20x1,5	35	38	29	30	92	115	76
RS2F..	M25x1,5	50	38	29	30	92	115	108



FR = With rotary release

Type	ØA Threading	ØB	ØC	D	E	L1	L2	Weight (g)
RX1FR..	M20x1,5	33	38	29	57	113	136	168
RX2FR..	M25x1,5	33	38	29	57	113	136	174
RS1FR..	M20x1,5	33	38	29	57	119	142	178
RS2FR..	M25x1,5	33	38	29	57	119	142	194

## NOTES

The control and signaling units get same temperature class as the enclosure on which they are installed.

(<sup>o</sup>) Units RX.. shall be installed on enclosures with internal volume up to 2 dm<sup>3</sup>; whereas units RS.. shall be installed on enclosures with volume up to 160,6 dm<sup>3</sup> for group IIB+H<sub>2</sub> and up to 62,9 dm<sup>3</sup> for group IIC.

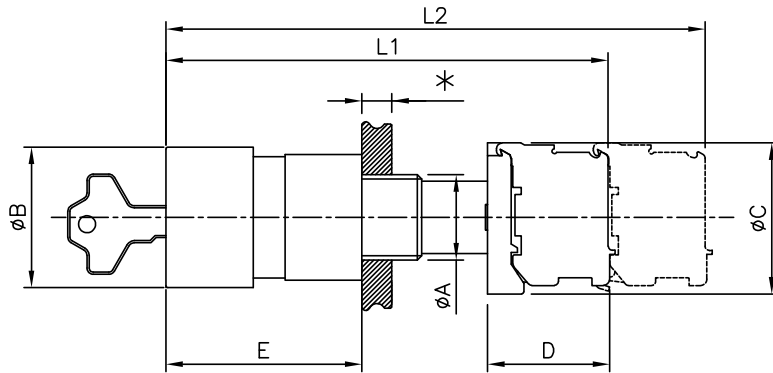
These units may be installed on electrical equipment suitable for group IM2 (firedamp mines) if no component is made of light alloy. In such case mode of protection will be labelled Ex d I Mb.

(\*) See page B11 for enclosures CCA-CPS, page B21 for CCL-CPL and page B31 for CCF

Contacts: more information on page C21.

# MUSHROOM PUSH BUTTON

series  
**RX - RS**



FY = with key release

## NOTE

The control and signaling units get same temperature class as the enclosure on which they are installed.

These units may be installed on electrical equipment suitable for group IM2 (firedamp mines) if no component is made of light alloy. In such case mode of protection will be labelled Ex d I Mb.

(\*) See page B11 for enclosures CCA-CPS, page B21 for CCL-CPL and page B31 for CCF.

Contacts: more information on page C21.

Type	ØA Threading	ØB	ØC	D	E	L1	L2	Weight (g)
RX1FY..	M20x1,5	33	38	29	57	113	136	168
RX2FY..	M25x1,5	33	38	29	57	113	136	174
RS1FY..	M20x1,5	33	38	29	57	119	142	178
RS2FY..	M25x1,5	33	38	29	57	119	142	194

## Example: RX1FRR-01

Order Coding

Type	Size	Main Function	Push button color	Electric Contact
<b>RX</b> = V<2 dm <sup>3</sup> (°)	<b>1</b> = M20x1,5	<b>F</b> = normal	<b>R</b> = red	<b>10</b> = 1 NO
<b>RS</b> = V>2 dm <sup>3</sup> (°)	<b>2</b> = M25x1,5	<b>FR</b> = with rotary release	<b>N</b> = black	<b>01</b> = 1 NC
		<b>FY</b> = with key release		<b>11</b> = 1 NO+1 NC

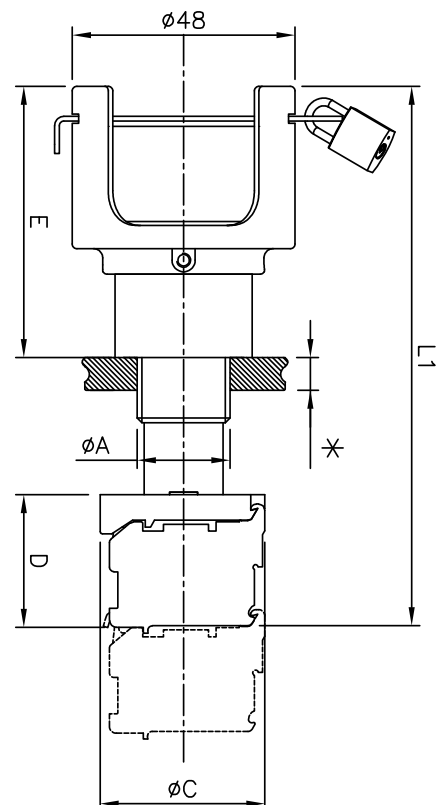
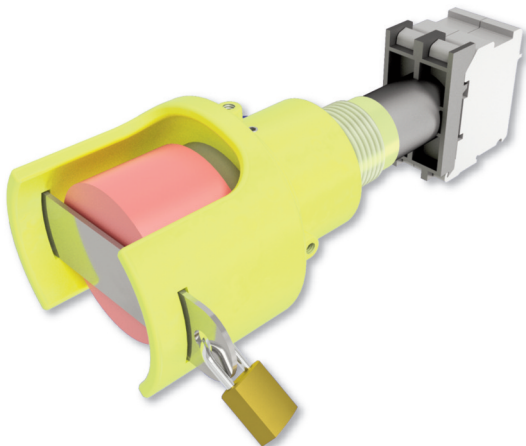
# ACCESSORIES for MUSHROOM PUSH BUTTON

serie  
**RX - RS**

Protective plasti guard for mushroom pushbutton with rotary release RX1FR.., RX2FR.., RS1FR.. e RS2FR.. with lockable bracket to lock button in pressed position in order to have maintenance on plant.

## ORDER CODING:

- RX1FR...GRD
- RX2FR...GRD
- RS1FR...GRD
- RS2FR...GRD



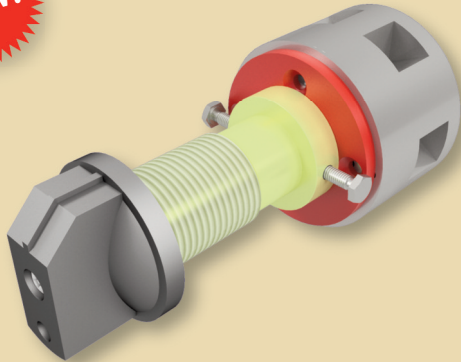
# KNOB OPERATED CONTROL UNIT

series  
**RX - RS**

Protection	Gas	Zone	1-2	II2G	Ex d IIC or IIB+H <sub>2</sub> Gb
	Dusts	Zone	21-22	II2D	Ex tb IIIC Db

Degree of Protection	IP66
----------------------	------

Amb. Temp.	Standard	-20°C	+40°C



Standards and Certificates		Directive 2014/34/EU (ATEX)
		EN 60079-0 • EN 60079-1 • EN 60079-31
	U	INERIS 14 ATEX 9009U
		IEC 60079-0 • IEC 60079-1 • IEC 60079-31
		IECEX INE 14.0023U

- Used to operate cam rotary switches.
- Bush in galvanized brass.
- External knob in polycarbonate.

**Opzioni**

- Complete version in stainless steel (RX...I & RS...I).
- Lockable external handle (suffix "L").

- Lockable handle available in different colors: black, red.

### Electrical ratings:

- Current:  $I_{max} = 16 \text{ A}$
- Voltage:  $V_{max} = 500 \text{ V}$
- Frequency: 50/60 Hz

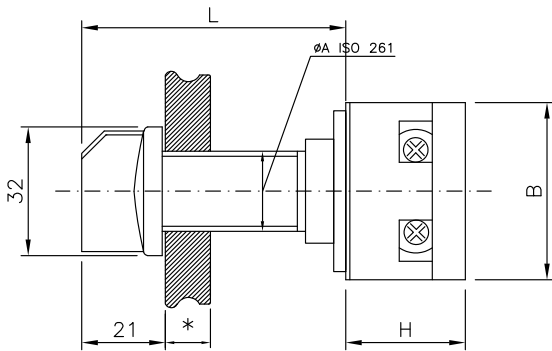
Main Function	ID letter	Size (Nominal current)
Switch Pos. 0-1	I	
Three position changeover switch (pos.1-0-2)	C	1 (10 A)
Two position changeover switch (pos.1-2)	D	
Reverser switch (pos.1-0-2)	R	3 (16 A)
Connecting Switch (by diagram)	M followed by the diagram code	

Type	ØA Threading	L
RX1M..	M20x1,5	52.5
RX2M..	M25x1,5	52.5
RS1M..	M20x1,5	67.5
RS2M..	M25x1,5	67.5

### NOTES

The control and signaling units get same temperature class as the enclosure on which they are installed.

(\*) Units RX.. shall be installed on enclosures with internal volume up to 2 dm<sup>3</sup>; whereas units RS.. shall be installed on enclosures with volume up to 160,6 dm<sup>3</sup> for group IIB+H<sub>2</sub> and up to 62,9 dm<sup>3</sup> for group IIC.



Size	B	H												Weight (g)
		Switches		Three position changeover switch			Two position changeover switch			Reverser switch				
		Poles no.		Poles no.			Poles no.			Poles no.				
1 - 3	43	1 ÷ 3	4	1	2 ÷ 3	4	1	2 ÷ 3	4	1	2 ÷ 3	4	180	
		38	50	38	50	62	38	50	62	38	50	62		

The dimensions shown in the table refer to the K series of VANTAGGIMAURI. As alternative switches from other manufacturers may be used, but first check the dimensions and their adaptability.

These units may be installed on electrical equipment suitable for group IM2 (firedamp mines) if no component is made of light alloy. In such case mode of protection will be labelled Ex d I Mb.

### Example: RS 2 MC 23

Order Coding	Type	Size	Main Function	ID letter	Poles No.	Size
	RX = V<2 dm <sup>3</sup> (*)	1 = M20x1,5	M = Knob control unit	C = Three position changeover switch (pos.1-0-2)	2 = 2 poli	3 = 16 A
	RS = V>2 dm <sup>3</sup> (*)	2 = M25x1,5				

(\*) See page B11 for enclosures CCA-CPS, page B21 for CCL-CPL and page B31 for CCF.

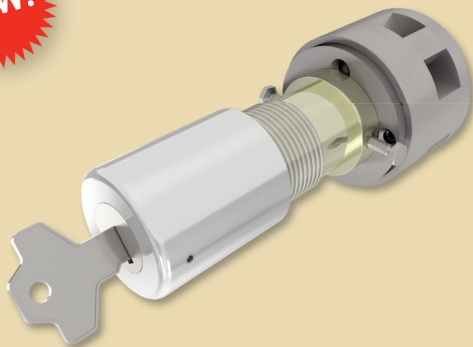
# KEY OPERATED CONTROL UNIT

series  
**RX - RS**

Protection	Gas	Zone	1-2	II2G	Ex d IIC or IIB+H <sub>2</sub> Gb
	Dusts	Zone	21-22	II2D	Ex tb IIIC Db

Degree of Protection	IP66
----------------------	------

Amb. Temp.	Standard	-20°C	+40°C



Standards and Certificates		Directive 2014/34/EU (ATEX)
		EN 60079-0 • EN 60079-1 • EN 60079-31
		INERIS 14 ATEX 9009U
		IEC 60079-0 • IEC 60079-1 • IEC 60079-31
		IECEX INE 14.0023U

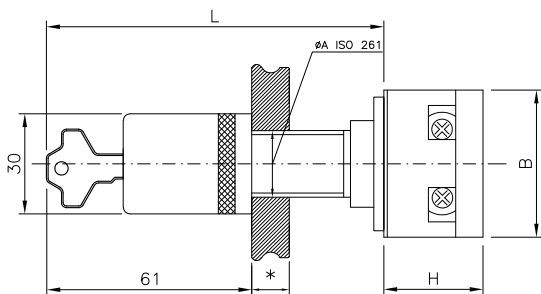
- Used to operate cam rotary switches.
- Bush in galvanized brass.
- Designed to prevent tampering of the devices, allowing the operation by authorized and key holder personnel only.

## Options

- Complete version in stainless steel (RX...I & RS...I).

## Electrical ratings:

- Current:  $I_{max} = 63 \text{ A}$
- Voltage:  $V_{max} = 500 \text{ V}$
- Frequency = 50/60 Hz



Main Function	ID letter (1)	Size (Nominal current)
Switch Pos. 0-1	I	1 (10 A)
Three position changeover switch (pos.1-0-2)	C	3 (16 A)
Two position changeover switch (pos.1-2)	D	5 (25 A)
Reverser switch (pos.1-0-2)	R	6 (32 A)
Connecting Switch (by diagram)	M followed by the diagram code	7 (40 A)
		9 (63 A)

Type	ØA Threading	L
RX2..Y..	M25x1,5	89.0
RS2..Y..	M25x1,5	96.0

## NOTES

The control and signaling units get same temperature class as the enclosure on which they are installed.

(\*) Units RX.. shall be installed on enclosures with internal volume up to 2 dm<sup>3</sup>; whereas units RS.. shall be installed on enclosures with volume up to 160,6 dm<sup>3</sup> for group IIB+H<sub>2</sub> and up to 62,9 dm<sup>3</sup> for group IIC.

These units may be installed on electrical equipment suitable for group IM2 (firedamp mines) if no component is made of light alloy. In such case mode of protection will be labelled Ex d I Mb.

(\*) See page B11 for enclosures CCA-CPS, page B21 for CCL-CPL and page B31 for CCF.

(1) Schemes C - D - R - M are available up to size 6 (32 A).

Size	B	H											Weight (g)
		Switches		Three position changeover switch			Two position changeover switch			Reverser switch			
		Poles no.		Poles no.			Poles no.			Poles no.			
		1 ÷ 3	4	1	2 ÷ 3	4	1	2 ÷ 3	4	1	2 ÷ 3	4	
<b>1 - 3</b>	43	38	50	38	50	62	38	50	62	38	50	62	180
<b>5 - 6</b>	58	42	56	45	56	70	42	56	70	42	56	70	240
<b>7 - 9</b>	58	56	84	-	-	-	-	-	-	-	-	-	320

The dimensions shown in the table refer to the K series of VANTAGGIMAURI. As alternative switches from other manufacturers may be used, but first check the dimensions and their adaptability.

## Example: RS 2 YC 23

Order Coding	Type	Size	Main Function	ID letter	Poles No.	Size
	RX = V < 2 dm <sup>3</sup> (*)	2 = M25x1,5	Y = Key	C = Three position changeover switch (pos.1-0-2)	2 = 2 poli	3 = 16 A
	RS = V > 2 dm <sup>3</sup> (*)					

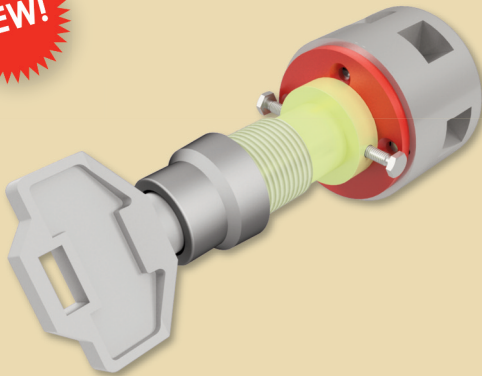
# TRIANGULAR KEY OPERATED CONTROL UNIT

series  
**RX - RS**

Protection	Gas	Zone	1-2	II2G	Ex d IIC or IIB+H <sub>2</sub> Gb
	Dusts	Zone	21-22	II2D	Ex tb IIIC Db

Degree of Protection	IP66
----------------------	------

Amb. Temp.	Standard	Extended	-20°C	+40°C



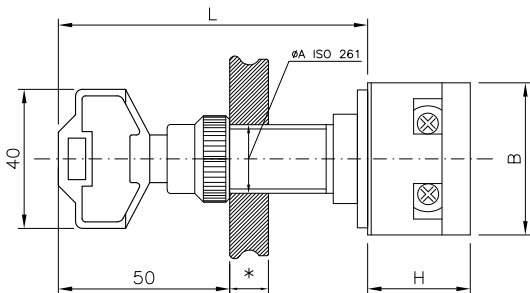
Standards and Certificates	Directive 2014/34/EU (ATEX)
	EN 60079-0 • EN 60079-1 • EN 60079-31
	U INERIS 14 ATEX 9009U
	IEC 60079-0 • IEC 60079-1 • IEC 60079-31 IECEx INE 14.0023U

- Used to operate cam rotary switches.
- Bush in galvanized brass.
- Designed to prevent tampering of the devices, allowing the operation by authorized and key holder personnel only.

**Options** - Complete version in stainless steel (RX...I & RS...I).

### Electrical ratings:

- Current:  $I_{max} = 63$  A
- Voltage:  $V_{max} = 500$  V
- Frequency = 50/60 Hz



Main Function	ID letter (1)	Size (Nominal current)
Switch Pos. 0-1	I	1 (10 A)
Three position changeover switch (pos.1-0-2)	C	3 (16 A)
Two position changeover switch (pos.1-2)	D	5 (25 A)
Reverser switch (pos.1-0-2)	R	6 (32 A)
Connecting Switch (by diagram)	M followed by the diagram code	7 (40 A)
		9 (63 A)

Type	ØA Threading	L
RX1..H..	M20x1,5	74.0
RX2..H..	M25x1,5	74.0
RS1..H..	M20x1,5	89.0
RS2..H..	M25x1,5	89.0

### NOTES

The control and signaling units get same temperature class as the enclosure on which they are installed.

(\*) Units RX.. shall be installed on enclosures with internal volume up to 2 dm<sup>3</sup>; whereas units RS.. shall be installed on enclosures with volume up to 160,6 dm<sup>3</sup> for group IIB+H<sub>2</sub> and up to 62,9 dm<sup>3</sup> for group IIC.

These units may be installed on electrical equipment suitable for group IM2 (firedamp mines) if no component is made of light alloy. In such case mode of protection will be labelled Ex d I Mb.

(\*) See page B11 for enclosures CCA-CPS, page B21 for CCL-CPL and page B31 for CCF.

(1) Schemes C - D - R - M are available up to size 6 (32 A).

Size	B	H											Weight (g)
		Switches		Three position changeover switch			Two position changeover switch			Reverser switch			
		Poles no.		Poles no.			Poles no.			Poles no.			
		1 ÷ 3	4	1	2 ÷ 3	4	1	2 ÷ 3	4	1	2 ÷ 3	4	
<b>1 - 3</b>	43	38	50	38	50	62	38	50	62	38	50	62	180
<b>5 - 6</b>	58	42	56	45	56	70	42	56	70	42	56	70	240
<b>7 - 9</b>	58	56	84	-	-	-	-	-	-	-	-	-	320

The dimensions shown in the table refer to the K series of VANTAGGIMAURI. As alternative switches from other manufacturers may be used, but first check the dimensions and their adaptability.

### Example: RS 2 HC 23

Order Coding	Type	Size	Main Function	ID letter	Poles No.	Size
	RX = V < 2 dm <sup>3</sup> (*)	1 = M20x1,5	H = Triangular Key	C = Three position changeover switch (pos.1-0-2)	2 = 2 poli	3 = 16 A
	RS = V > 2 dm <sup>3</sup> (*)	2 = M25x1,5				



# EMERGENCY PUSH BUTTON

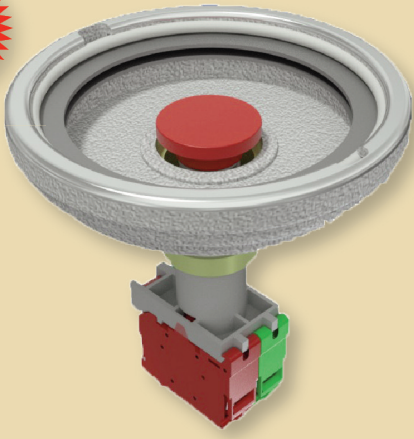
series  
**RX - RS**

Protection	Gas	1-2	II2G	Ex d IIC or IIB+H <sub>2</sub> Gb
	Dusts	Zone 21-22	II2D	Ex tb IIIC Db

Degree of Protection	IP66
----------------------	------

Amb. Temp.	Standard	-20°C	+40°C
	Extended	-50°C	+80°C

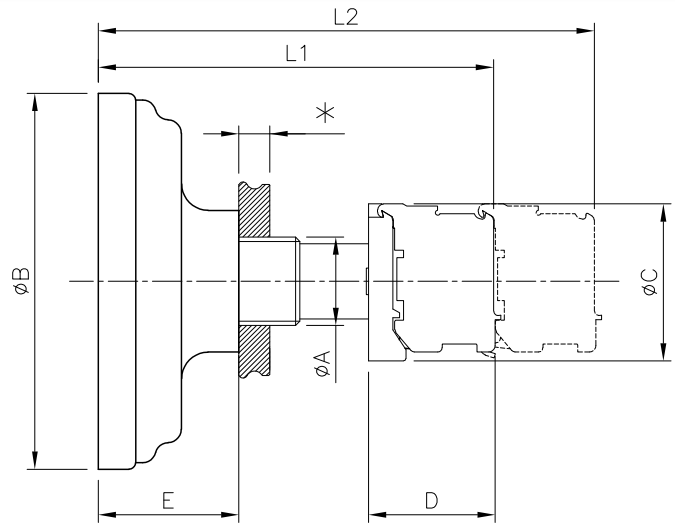
**NEW!**



Standards and Certificates		Directive 2014/34/EU (ATEX)
		EN 60079-0 • EN 60079-1 • EN 60079-31
		INERIS 14 ATEX 9009U
		IEC 60079-0 • IEC 60079-1 • IEC 60079-31
		IECEx INE 14.0023U

- Body in Nickel plated Brass.
- Drive shafts in Stainless Steel AISI 316L.
- Push Button in Polyamide 6 (on request Stainless Steel).
- Aluminium ring with protective (breakable) glass.
- Operating temperature: -50°C ÷ +180°C.

Options	- Complete Stainless Steel version (RX...I & RS...I).	- Color of push button different than black (standard): red, green, yellow, white or blue.
	- Two or more contacts available.	



## NOTES

The control and signaling units get same temperature class as the enclosure on which they are installed.

(\*) Units RX.. shall be installed on enclosures with internal volume up to 2 dm<sup>3</sup>; whereas units RS.. shall be installed on enclosures with volume up to 160,6 dm<sup>3</sup> for group IIB+H<sub>2</sub> and up to 62,9 dm<sup>3</sup> for group IIC.

These units may be installed on electrical equipment suitable for group IM2 (fire-damp mines) if no component is made of light alloy. In such case mode of protection will be labelled Ex d I Mb.

(\*) See page B11 for enclosures CCA-CPS, page B21 for CCL-CPL and page B31 for CCF.

Contacts: more information on page C21.

## Electric Execution Identification

**E0**  
The breaking of the glass releases the button that automatically closes and / or opens a contact.

**E1**  
The breaking of the glass releases the button that shall be pressed to open and / or close a contact.

Type	ØA Threading	ØB	ØC	D	E	L1	L2	Weight (g)
RX2..	M25x1,5	85	38	29	26	82	105	200
RS2..	M25x1,5	85	38	29	26	88	111	220

## Example: RX2E0R-11

Order Coding	Type	Size	Main Function (see above)	Push button color	Electric Contact
	RX = V < 2 dm <sup>3</sup> (*)	2 = M25x1,5	E0 = Self releas button when glass broken	K = black	10 = 1 NO
	RS = V > 2 dm <sup>3</sup> (*)		E1 = Pushbutton to press after glass breaking	G = green	01 = 1 NC
				Y = yellow	11 = 1 NO+1 NC
			R = red		
			W = white		
			B = blue		

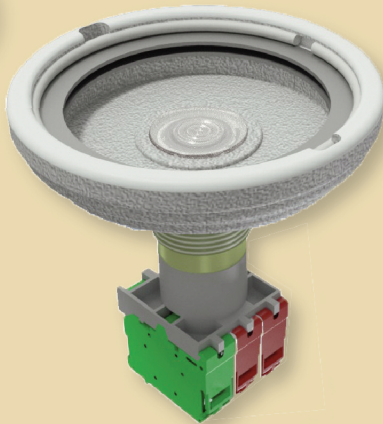
# ILLUMINATED EMERGENCY PUSH BUTTON

series  
**RX - RS**

Protection	Gas	1-2	II2G	Ex d IIC or IIB+H <sub>2</sub> Gb
	Dusts	21-22	II2D	Ex tb IIIC Db

Degree of Protection	IP66
----------------------	------

Amb. Temp.	Standard	-20°C	+40°C
	Extended	-50°C	+80°C



Standards and Certificates



Directive 2014/34/EU (ATEX)

EN 60079-0 • EN 60079-1 • EN 60079-31

U INERIS 14 ATEX 9009U



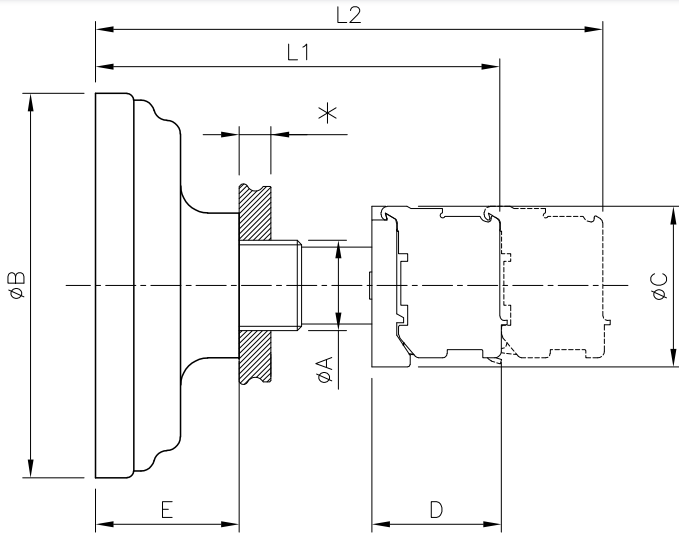
IEC 60079-0 • IEC 60079-1 • IEC 60079-31

IECEX INE 14.0023U

- Illuminated pushbutton with LED lamp.
- Body in Nickel plated Brass.
- Drive shafts in Stainless Steel AISI 316L.
- Push Button in Polyamide 6.
- Aluminium ring with protective (breakable) glass.
- Operating temperature: -50°C ÷ +180°C.

- Options**
- Complete Stainless Steel version (RX...I & RS...I).
  - LED lamps with different voltages and colors.

- Two or more contacts available.
- Different push button color: red, green, yellow, white or blue.



## NOTES

The control and signaling units get same temperature class as the enclosure on which they are installed.

(\*) Units RX.. shall be installed on enclosures with internal volume up to 2 dm<sup>3</sup>; whereas units RS.. shall be installed on enclosures with volume up to 160,6 dm<sup>3</sup> for group IIB+H<sub>2</sub> and up to 62,9 dm<sup>3</sup> for group IIC.

These units may be installed on electrical equipment suitable for group IM2 (firedamp mines) if no component is made of light alloy. In such case mode of protection will be labelled Ex d I Mb.

(\*) See page B11 for enclosures CCA-CPS, page B21 for CCL-CPL and page B31 for CCF.

Contacts: more information on page C21.

## Electric Execution Identification

**ELO**  
The breaking of the glass releases the illuminated button that automatically closes and / or opens a contact.

**EL1**  
The breaking of the glass releases the illuminated button that shall be pressed to open and / or close a contact.

Type	ØA Threading	ØB	ØC	D	E	L1	L2	Weight (g)
RX2..	M25x1,5	85	38	29	26	82	105	200
RS2..	M25x1,5	85	38	29	26	88	111	220

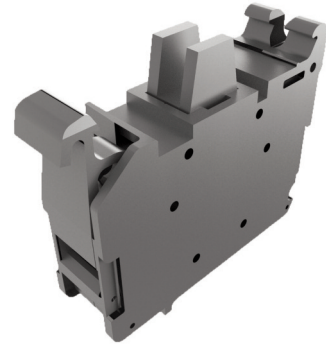
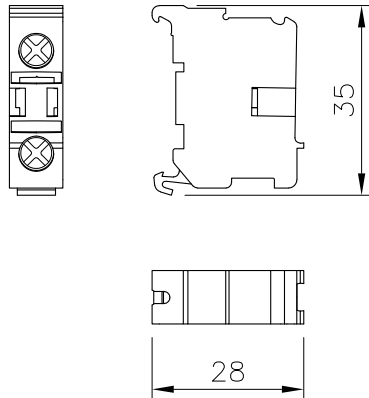
## Example: RS2EL1R-017

Order Coding

Type	Size	Main Function (see above)	Push button / LED color	Electric Contact	LED Voltage
RX = V < 2 dm <sup>3</sup> (*) RS = V > 2 dm <sup>3</sup> (*)	2 = M25x1,5	ELO = Self release button when glass broken EL1 = Pushbutton to press after glass breaking	G = green Y = yellow R = red W = white B = blue	10 = 1 NO 01 = 1 NC 11 = 1 NO+1 NC	3 = 24 V ac/dc 5 = 120 V ac 7 = 230 V ac

## CONTACT ELEMENTS

series  
RX - RS



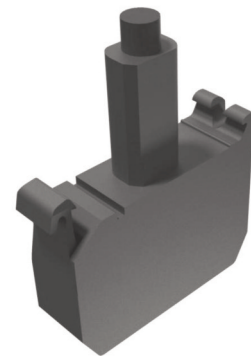
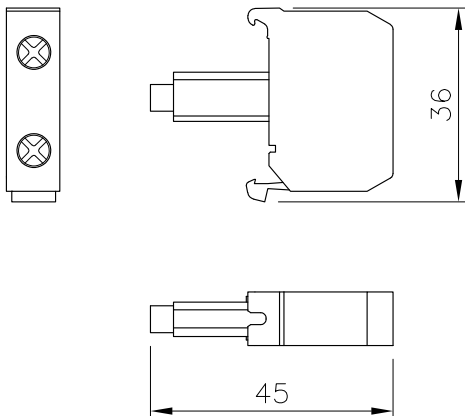
### CONTACT ELEMENTS TECHNICAL DATA:

- Nominal current :  $I_{th} = 10 \text{ A}$
- Nominal Isolation Voltage :  $U_i = 690 \text{ V}$
- Dielectric strength (minimum) : 2500 V (1 minute)
- Short circuit protection  $U_e < 500 \text{ Vac}$  : 10 A type gL/gG cartridge fuse
- Terminals ID : according to EN/IEC 60947-1
- Screw type joining terminals with captive clamp
- Wire capacity : #18÷12 AWG (0.75÷2.5 mm<sup>2</sup>) Max. (2) #14 AWG or (1) #12 AWG
- Recommended tightening torque on screw terminals : 0,7÷0,9 Nm
- Contact durability per EN 60947-5-1 (Annex C) : 10 000 000 cycles

	AC15 - A600						DC13 - Q600				
Voltage (V)	120	240	380	480	500	600	125	250	400	500	600
Current (A)	6	3	1,9	1,5	1,4	1,2	0,55	0,27	0,15	0,13	0,10
$I_{th}$ (A)	10 A						2,5 A				

## LED MODULES

series  
RX - RS



### LED MODULES TECHNICAL DATA:

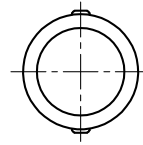
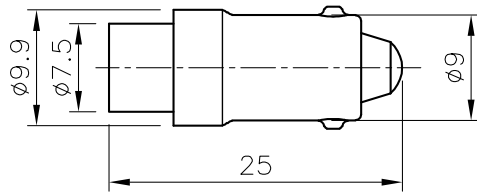
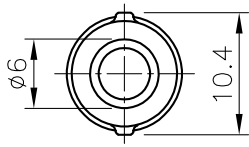
- Nominal current :  $I_{th} = 10 \text{ A}$
- Nominal Isolation Voltage :  $U_i = 690 \text{ V}$
- Dielectric strength (minimum) : 2500 V (1 minute)
- Short circuit protection  $U_e < 500 \text{ Vac}$  : 10 A type gL/gG cartridge fuse
- Terminals ID : according to EN/IEC 60947-1
- Screw type joining terminals with captive clamp
- Wire capacity : #18÷12 AWG (0.75÷2.5 mm<sup>2</sup>) Max. (2) #14 AWG or (1) #12 AWG
- Recommended tightening torque on screw terminals : 0,7÷0,9 Nm

LED	24 V	120 V	240 V
Voltage (V)	10 ÷ 29	102 ÷ 132	204 ÷ 264
Current (mA)	30	6	6
Frequency (Hz)	50/60	50/60	50/60

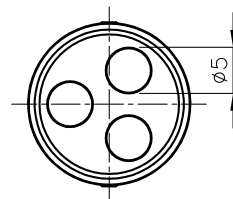
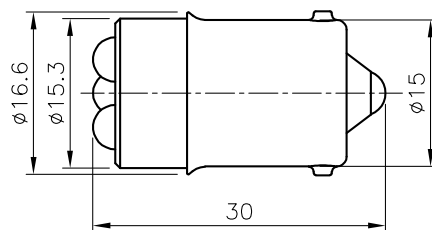
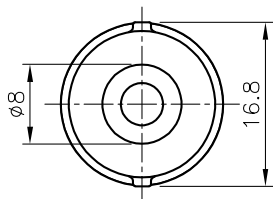
LED COLOR	GREEN	RED	WHITE
Dominant Wavelength	525 nm	629 nm	---
Luminous Intensity	780 mcd	780 mcd	360 mcd

# LED LAMP

series  
RX - RS



Order Coding	LDB1R	LDB3R	LDB4R	LDB1G	LDB3G	LDB4G	LDB1A	LDB3A	LDB4A	LDB1V	LDB3V	LDB4V	LDB1B	LDB3B	LDB4B
Colour	RED			YELLOW			BLUE			GREEN			WHITE		
LED no.	1			1			1			1			1		
Single LED intensity (mcd)	102.1	44	102.1	92.5	25	95.2	98.6	28	98.6	95.2	132	95.2	103.1	149	103.1
Color Temp. (K)	1001			1330			>100000			7401			8468		
View angle (°)	98.2			107.2			104.2			101.0			99.5		
Wavelength (nm)	628.2÷640.0			595.0÷600.0			470.0÷472.7			525.0÷532.3			X:0.293-Y:0.292		
Luminance (lm)	1.44	0.50	0.25	1.07	0.27	0.18	0.87	0.27	0.23	2.49	1.62	0.69	3.35	1.75	0.88
Voltage (AC/DC)	24	115	230	24	115	230	24	115	230	24	115	230	24	115	230
Current (mA)	15	5	3	15	5	3	15	5	3	15	5	3	15	5	3
Diss. Power (W)	0.4	0.6	0.6	0.4	0.6	0.6	0.4	0.6	0.6	0.4	0.6	0.6	0.4	0.6	0.6



Order Coding	LDB11R	LDB13R	LDB14R	LDB11G	LDB13G	LDB14G	LDB11A	LDB13A	LDB14A	LDB11V	LDB13V	LDB14V	LDB11B	LDB13B	LDB14B
Colour	RED			YELLOW			BLUE			GREEN			WHITE		
LED no.	3			3			3			3			3		
Single LED intensity (cd)	7.5	3.5	2.5	8.8	3.8	2.8	4.5	2.4	1.5	21.5	8.5	4.5	10.8	5.8	4.8
Color Temp. (K)	<1500			<1500			>25000			7500			8500		
View angle (°)	21			19			14			14			17		
Wavelength (nm)	630			595			470			525			X:0.29-Y:0.28		
Luminance (lm)	5	2	1.5	5	2	1.5	2	1	0.5	10	4	2	12	6	3
Voltage (AC/DC)	24	115	230	24	115	230	24	115	230	24	115	230	24	115	230
Current (mA)	15	5	3	15	5	3	15	5	3	15	5	3	15	5	3
Diss. Power (W)	0.36	0.6	0.7	0.36	0.6	0.7	0.36	0.6	0.7	0.36	0.6	0.7	0.36	0.6	0.7