
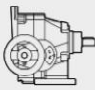
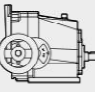
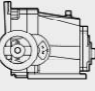


**DATI TECNICI / TECHNICAL DATA**

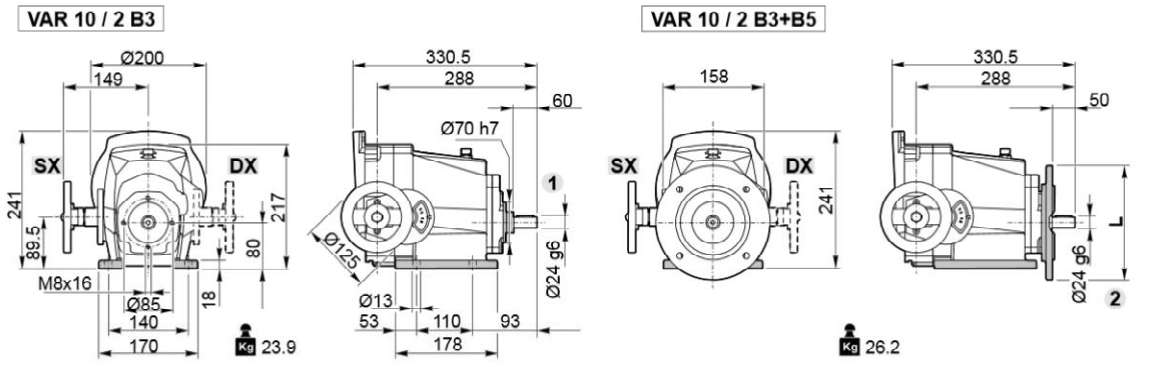
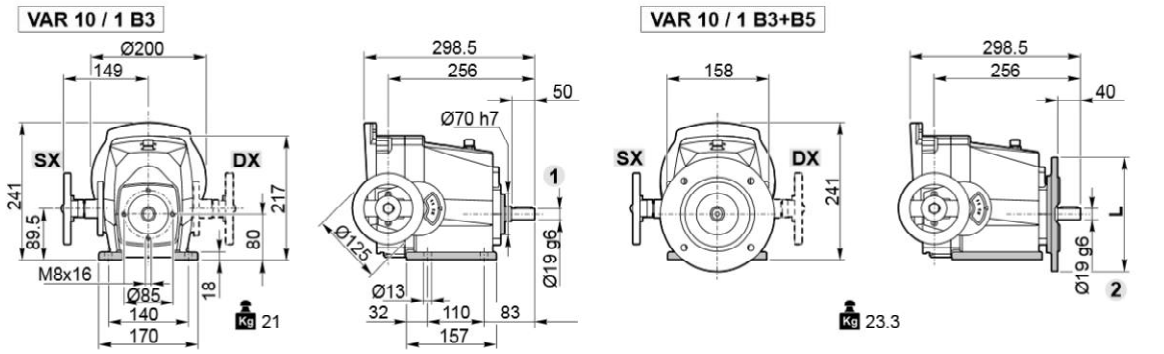
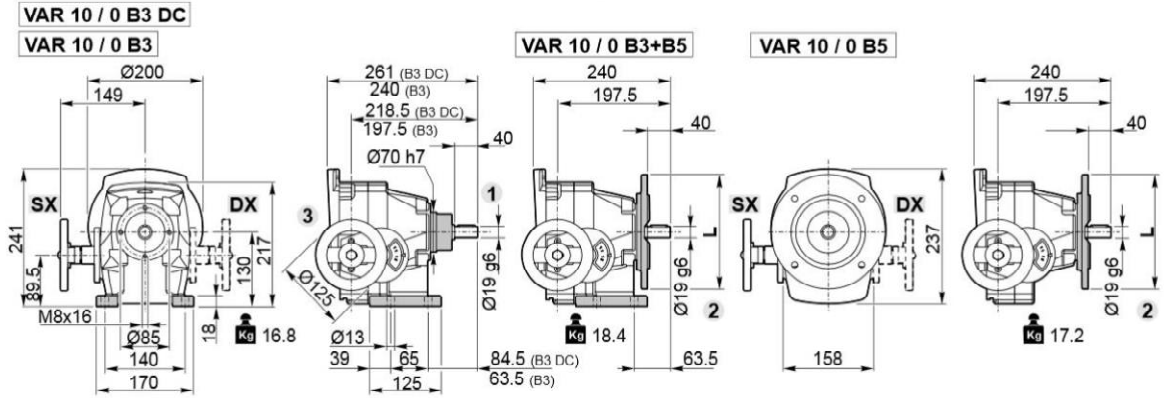
<b>VAR 10 / ...</b>											
				n <sub>2MIN</sub> min <sup>-1</sup>	n <sub>2LIM</sub> min <sup>-1</sup>	n <sub>2MAX</sub> min <sup>-1</sup>	M <sub>2MAX</sub> Nm	M <sub>2LIM</sub> Nm	M <sub>2MIN</sub> Nm	F <sub>R2</sub> N	DESIGNAZIONE 1) DESIGNATION
	P <sub>1</sub> kW	n <sub>1</sub> min <sup>-1</sup>	n° poli n° poles								
 <b>VAR 10/0</b>	0.37	900	6	225	457	1125	8.58	8.58	2.79	735	VAR100-350:1750-037-6
	0.55	900	6	225	680	1125	8.58	8.58	4.15	645	VAR100-350:1750-055-6
	0.55	1400	4	350	777	1750	7.51	7.51	2.67	627	VAR100-350:1750-055-4
	0.75	1400	4	350	1059	1750	7.51	7.51	3.64	561	VAR100-350:1750-075-4
	0.75	2800	2	700	1303	3500	6.10	6.10	1.82	522	VAR100-350:1750-075-2
	1.10	2800	2	700	1912	3500	6.10	6.10	2.67	462	VAR100-350:1750-110-2
 <b>VAR 10/1</b>	0.37	900	6	25	52	125	75.00	75.00	24.44	1563	VAR101-40:200-037-6
	0.55	900	6	25	77	125	75.00	75.00	36.34	1317	VAR101-40:200-055-6
	0.55	1400	4	40	88	200	65.76	65.76	23.36	1296	VAR101-40:200-055-4
	0.75	1400	4	40	121	200	65.76	65.76	31.85	1119	VAR101-40:200-075-4
	0.75	2800	2	80	149	400	53.41	53.41	15.93	1095	VAR101-40:200-075-2
	1.10	2800	2	80	218	400	53.41	53.41	23.36	921	VAR101-40:200-110-2
	0.37	900	6	48	100	240	39.22	39.22	12.77	1383	VAR101-75:375-037-6
	0.55	900	6	48	149	240	39.22	39.22	18.98	1176	VAR101-75:375-055-6
	0.55	1400	4	75	170	375	34.35	34.35	12.20	1146	VAR101-75:375-055-4
	0.75	1400	4	75	231	375	34.35	34.35	16.64	1011	VAR101-75:375-075-4
	0.75	2800	2	150	285	750	27.90	27.90	8.32	972	VAR101-75:375-075-2
	1.10	2800	2	150	418	750	27.90	27.90	12.20	837	VAR101-75:375-110-2
	0.37	900	6	65	127	325	30.79	30.79	10.00	1308	VAR101-100:500-037-6
	0.55	900	6	65	189	325	30.79	30.79	14.90	1119	VAR101-100:500-055-6
	0.55	1400	4	100	216	500	27.00	27.00	9.60	1080	VAR101-100:500-055-4
	0.75	1400	4	100	295	500	27.00	27.00	13.06	963	VAR101-100:500-075-4
	0.75	2800	2	200	363	1000	21.90	21.90	6.53	924	VAR101-100:500-075-2
	1.10	2800	2	200	532	1000	21.90	21.90	9.58	792	VAR101-100:500-110-2
 <b>VAR 10/2</b>	0.37	900	6	6.5	-	32.5	156.50	-	94.55	2960	VAR102-10:50-037-6
	0.55	900	4	6.5	-	32.5	156.50	-	140.55	2744	VAR102-10:50-055-6
	0.55	1400	4	10	-	50	156.50	-	90.36	2425	VAR102-10:50-055-4
	0.75	1400	4	10	-	50	156.50	-	123.21	2275	VAR102-10:50-075-4
	0.75	2800	2	20	-	100	156.50	-	61.61	1820	VAR102-10:50-075-2
	1.10	2800	2	20	-	100	156.50	-	90.36	1690	VAR102-10:50-110-2
	0.37	900	6	10	-	50	156.50	-	59.10	2568	VAR102-16:80-037-6
	0.55	900	6	10	-	50	156.50	-	87.85	2435	VAR102-16:80-055-6
	0.55	1400	4	16	-	80	156.50	-	56.47	2062	VAR102-16:80-055-4
	0.75	1400	4	16	-	80	156.50	-	77.00	1973	VAR102-16:80-075-4
	0.75	2800	2	32	61	160	129.12	129.12	38.50	1266	VAR102-16:80-075-2
	1.10	2800	2	32	90	160	129.12	129.12	56.50	1000	VAR102-16:80-110-2
	0.37	900	6	13	-	65	152.00	-	49.35	2325	VAR102-20:100-037-6
	0.55	900	6	13	-	65	152.00	-	73.36	2203	VAR102-20:100-055-6
	0.55	1400	4	20	44	100	132.76	132.76	47.16	1470	VAR102-20:100-055-4
	0.75	1400	4	20	60	100	132.76	132.76	64.31	1200	VAR102-20:100-075-4
	0.75	2800	2	40	73	200	107.84	107.84	32.16	1285	VAR102-20:100-075-2
	1.10	2800	2	40	108	200	107.84	107.84	47.16	1005	VAR102-20:100-110-2

1) ESEMPIO DI DESIGNAZIONE COMPLETO / COMPLETE EXAMPLE OF DESIGNATION

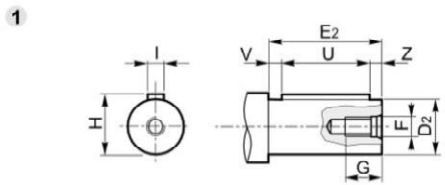
6

**VAR 10 0 - B5 - 19 - 200 - 350 : 1750 - 075 - 4 - IEC 80B5**

**DIMENSIONI / DIMENSIONS**

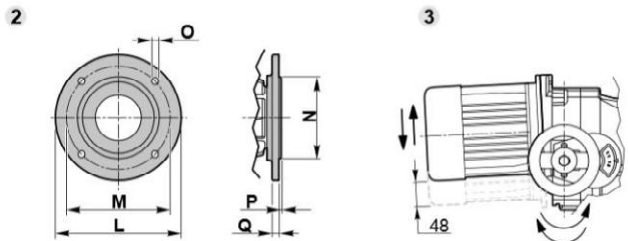


**ALBERO USCITA / OUTPUT SHAFT**



VAR	TIPO TYPE	D <sub>2</sub> g6	E <sub>2</sub>	F	G	H	I	U	V	Z	
10/0	B3+B5	B5	19	40	M6	16	21.5	6	30	5	5
	B3 DC	B3	24	50	M8	18	27	8	40	5	5
10/1	B3+B5	B3	19	50	M6	16	21.5	6	40	5	5
	B3	B3	24	60	M8	18	27	8	40	11	9
10/2	B3+B5	B3	24	60	M8	18	27	8	40	10	10

**FLANGIA USCITA / OUTPUT FLANGE**



VAR	TIPO TYPE	L	M	N h8	O	P	Q
10/0	B5	160	130	110	11	3.5	11
10/1	B3+B5	200	165	130	11	3.5	11
10/2	B3+B5	200	165	130	11	3.5	11

A richiesta / On request

