



- A PART OF ADDTECH GROUP

DATA SHEET

Customer:	
Ref.:	
Order:	
Motor:	
Serial nr:	
Date:	03-04-2018

ASYNCHRONOUS MOTOR 3D2 160L-4

Nameplate data:

Code: 115296

Type:	3D2 160L-4			IP55	F/B	Amb. temp.: Max. 40°		
kW	Hz	V	A	Rpm	Cos	Eff. 100%	Duty	IE.class
18,00	60	440 Δ	30,33	1764	0,86	0,9%	S1	IE2

Description:

Mounting form:	B5
Bearing DE:	6309/C3
Bearing NDE:	6309/C3
Weight - Kg.:	139
Heater:	No Heater
PTC:	PTC mounted
Kgm ² :	0,101
Sound press.-db(A):	64,0

Other:

Test data S1-duty, Amb.temp 40°C:

Voltage - V:	440
Frequency - Hz:	60
Power - kW:	18,00
Full load speed - Rpm:	1764
Full load current - A:	30,33
Full load power factor - Cos:	0,86
Locked rotor current - A:	229,4
Locked rotor factor - A _{st} /A _n :	7,6

Efficiency 100% load - %:	90,6%
Efficiency 75% load - %:	91,6%
Efficiency 50% load - %:	91,0%
Full load torque - Nm:	97,5
Locked rotor torque - Nm:	235,9
Locked rotor torque - Nm _{st} /Nm _n :	2,4
Max. Pull out torque - Nm:	246,6
Max. Pull out torque. - Nm _{st} /Nm _n :	2,5

Over load/speed test	kW	Hz	V	A	Rpm
Over load 160% - 15sec.	24,00	50	400	44,48	1470
Over speed 125% - 2 min.	15	63	400	27,80	1838
H-Pot test voltage: 1800V			Temp. rise in stator:		

The motor is produced in accordance with following harmonized standards:

IEC60034-1, IEC60034-2, IEC60034-5, IEC60034-6, IEC60034-7, IEC60034-8, IEC60034-9
IEC60034-12, IEC60034-14, IEC60034-30, IEC60072.

Additional specifications in accordance with:

RINA - GL - LRS - BV - DNV - ABS - KR - RR - CCS - CCC - RMRS.

Bevi Group:

BEVI AB, Sweden	www.bevi.se	sales@bevi.se	+46 499 271 00
BEVI Nord AB, Sweden	www.bevi.se	bevinord@bevi.se	+46 90 70 44 30
BEVI A/S, Denmark	www.bevi.dk	bevi@bevi.dk	+45 39 67 36 05
BEVI Norge A/S, Norway	www.bevi.no	info@bevi.no	+47 22 07 66 50
BEVI Finland OY AB, Finland	www.bevi.fi	info@bevi.fi	+358 9 2709 1210
BEVI Est Oü, Estonia	www.bevi.ee	bevi@bevi.ee	+372 6828 755
BEVI UAB, Lithuania	www.bevi.lt	info@bevi.lt	+370 5 2611 112
BEVI CHINA, China	www.bevi.cn	sales@bevi.cn	+86 21 5032 5200

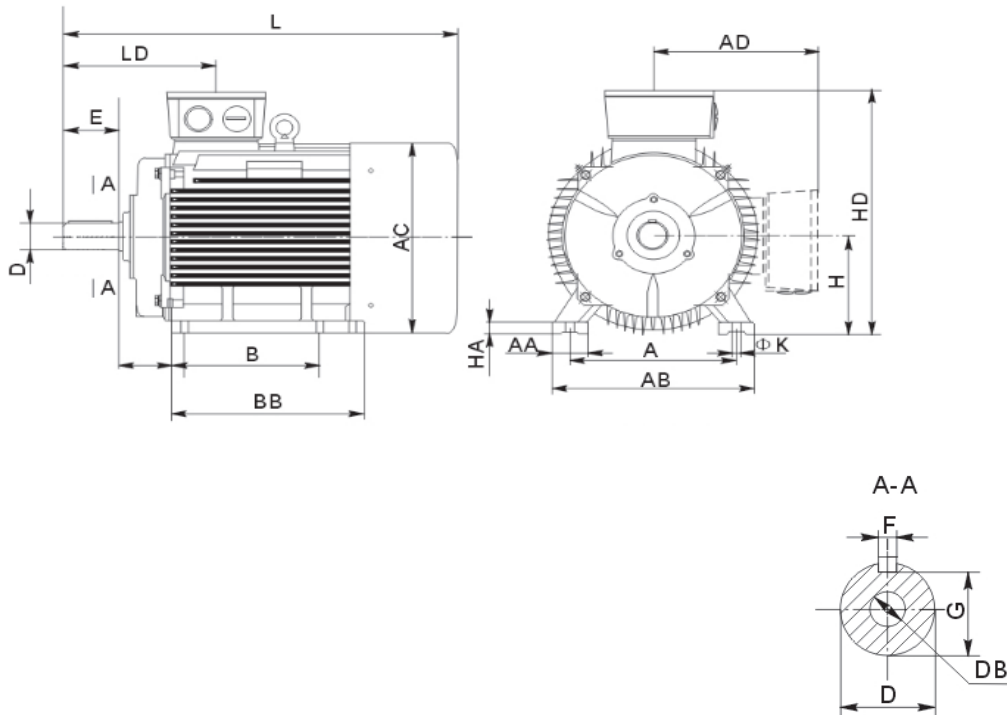


- A PART OF ADDTECH GROUP

DATA SHEET

Customer:	
Ref.:	
Order:	
Motor:	
Serial nr:	
Date:	03-04-2018

Foot mounted motor 3D2 160L-4 B3



A: 254	HD: 440	E: 110
B: 254	C: 108	D: 42
AB: 320	H: 160	G: 37
AC: 320	K: 15	DB: M16
AD: 285	L: 695	F: 12
L (V1): 745		

Bevi Group:

BEVI AB, Sweden
 BEVI Nord AB, Sweden
 BEVI A/S, Denmark
 BEVI Norge A/S, Norway
 BEVI Finland OY AB, Finland
 BEVI Est Oü, Estonia
 BEVI UAB, Lithuania
 BEVI CHINA, China

www.bevi.se
 www.bevi.se
 www.bevi.dk
 www.bevi.no
 www.bevi.fi
 www.bevi.ee
 www.bevi.lt
 www.bevi.cn

sales@bevi.se
 bevinord@bevi.se
 bevi@bevi.dk
 info@bevi.no
 info@bevi.fi
 bevi@bevi.ee
 info@bevi.lt
 sales@bevi.cn

+46 499 271 00
 +46 90 70 44 30
 +45 39 67 36 05
 +47 22 07 66 50
 +358 9 2709 1210
 +372 6828 755
 +370 5 2611 112
 +86 21 5032 5200

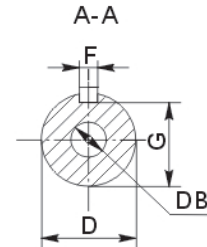
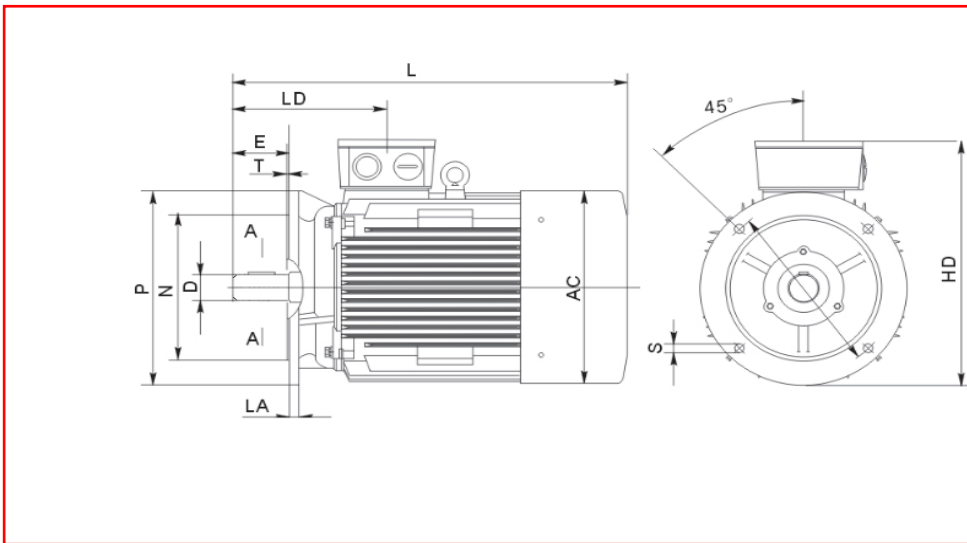


- A PART OF ADDTECH GROUP

DATA SHEET

Customer:	
Ref.:	
Order:	
Motor:	
Serial nr:	
Date:	03-04-2018

Flange mounted motor 3D2 160L-4 B5 (V1)



M: 300	HD: 440	E: 110
N: 250	L: 695	D: 42
P: 350	L (V1): 745	G: 37
S: 19		DB: M16
		F: 12

Bevi Group:

BEVI AB, Sweden
 BEVI Nord AB, Sweden
 BEVI A/S, Denmark
 BEVI Norge A/S, Norway
 BEVI Finland OY AB, Finland
 BEVI Est Oü, Estonia
 BEVI UAB, Lithuania
 BEVI CHINA, China

www.bevi.se
 www.bevi.se
 www.bevi.dk
 www.bevi.no
 www.bevi.fi
 www.bevi.ee
 www.bevi.lt
 www.bevi.cn

sales@bevi.se
 bevinord@bevi.se
 bevi@bevi.dk
 info@bevi.no
 info@bevi.fi
 bevi@bevi.ee
 info@bevi.lt
 sales@bevi.cn

+46 499 271 00
 +46 90 70 44 30
 +45 39 67 36 05
 +47 22 07 66 50
 +358 9 2709 1210
 +372 6828 755
 +370 5 2611 112
 +86 21 5032 5200

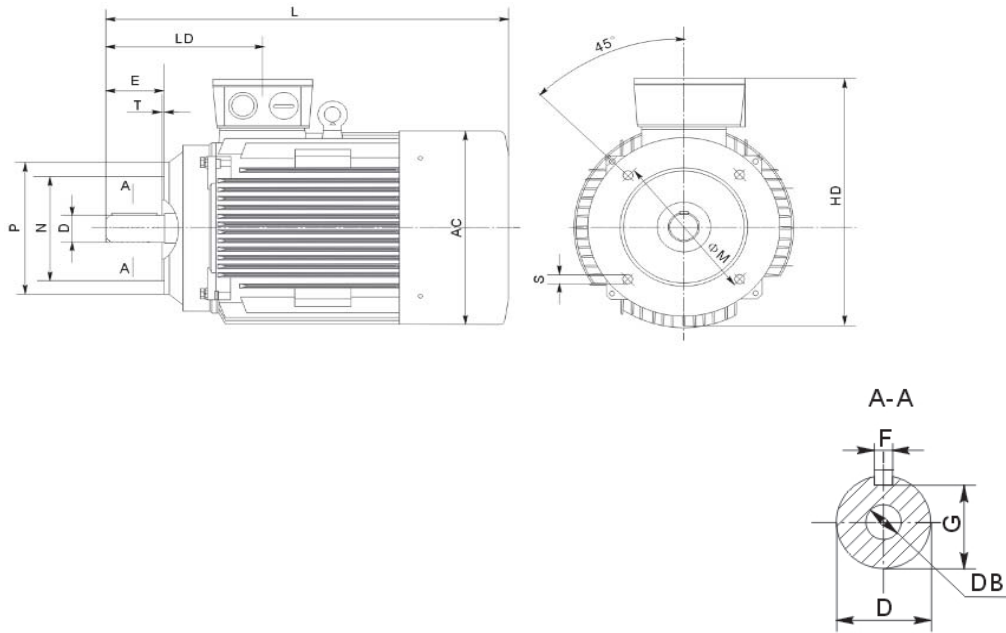


- A PART OF ADDTECH GROUP

DATA SHEET

Customer:	
Ref.:	
Order:	
Motor:	
Serial nr:	
Date:	03-04-2018

Flange mounted motor B14A & B14B



Flange type: B14A

M: 0
N: 0
P: 0
S: 0

B14B

0
0
0
0

HD: 440
L: 695
L (V1): 745

E: 110
D: 42
G: 37
DB: M16
F: 12

Bevi Group:

BEVI AB, Sweden
BEVI Nord AB, Sweden
BEVI A/S, Denmark
BEVI Norge A/S, Norway
BEVI Finland OY AB, Finland
BEVI Est Oü, Estonia
BEVI UAB, Lithuania
BEVI CHINA, China

www.bevi.se
www.bevi.se
www.bevi.dk
www.bevi.no
www.bevi.fi
www.bevi.ee
www.bevi.lt
www.bevi.cn

sales@bevi.se
bevinord@bevi.se
bevi@bevi.dk
info@bevi.no
info@bevi.fi
bevi@bevi.ee
info@bevi.lt
sales@bevi.cn

+46 499 271 00
+46 90 70 44 30
+45 39 67 36 05
+47 22 07 66 50
+358 9 2709 1210
+372 6828 755
+370 5 2611 112
+86 21 5032 5200

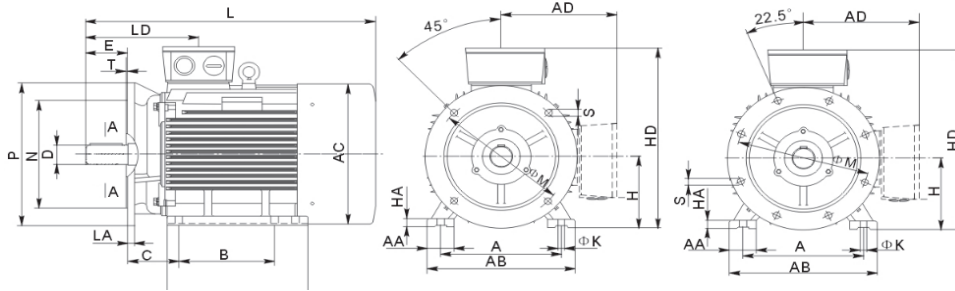


- A PART OF ADDTECH GROUP

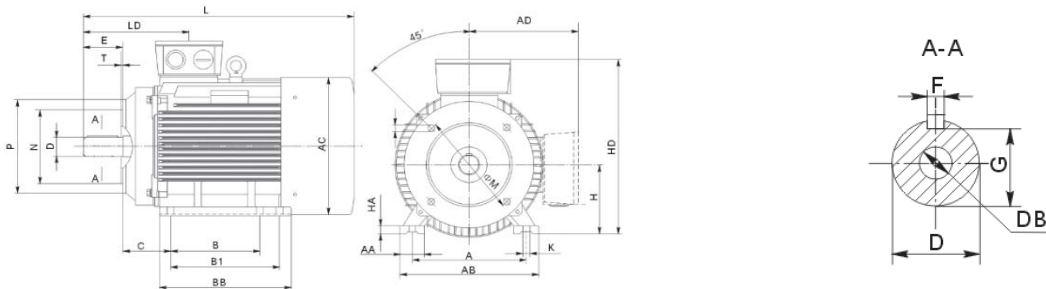
DATA SHEET

Foot & flange mounted motor B3/B5

Customer:	
Ref.:	
Order:	
Motor:	
Serial nr:	
Date:	03-04-2018



B3/B14A & B3/B14B



Flange type: B5

M: 300
N: 250
P: 350
S: 19

A: 254
B: 254
AB: 320
AC: 320
AD: 285

B14A

M: 0
N: 0
P: 0
S: 0

HD: 440
C: 108
H: 160
K: 15
L: 695

B14B

M: 0
N: 0
P: 0
S: 0

E: 110
D: 42
G: 37
DB: M16
F: 12

L (V1): 745

Bevi Group:

BEVI AB, Sweden
BEVI Nord AB, Sweden
BEVI A/S, Denmark
BEVI Norge A/S, Norway
BEVI Finland OY AB, Finland
BEVI Est Oü, Estonia
BEVI UAB, Lithuania
BEVI CHINA, China

www.bevi.se
www.bevi.se
www.bevi.dk
www.bevi.no
www.bevi.fi
www.bevi.ee
www.bevi.lt
www.bevi.cn

sales@bevi.se
bevinord@bevi.se
bevi@bevi.dk
info@bevi.no
info@bevi.fi
bevi@bevi.ee
info@bevi.lt
sales@bevi.cn

+46 499 271 00
+46 90 70 44 30
+45 39 67 36 05
+47 22 07 66 50
+358 9 2709 1210
+372 6828 755
+370 5 2611 112
+86 21 5032 5200