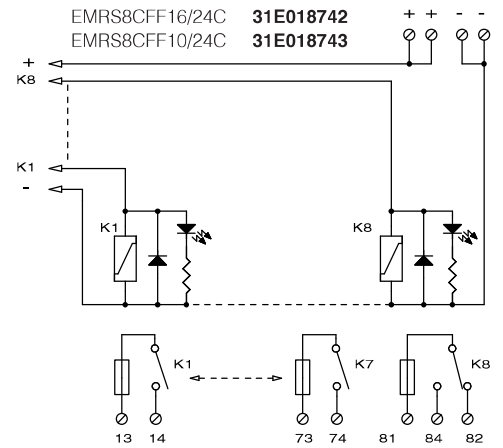


1 Contatto Protetti, Comando Flat - In Contenitore da 22,5 mm

1 Contact with Protection, I.D.C. Connector - In 22,5 mm Case



← Piedino Connettore Flat / I.D.C. Connector Pin

⊗ Morsetti Estraibili / Pluggable Terminal Blocks

Dati tecnici

Specifications

Tensione ingresso	Input voltage	24 Vdc
Corrente ingresso	Input current	30mA
Tensione max contatto	Max switching voltage	440Vac, 300Vdc
Corrente nominale	Nominal current	12A
Carico max COS φ=1	Max load COS φ=1	12A 250Vac, 12A 24Vdc
Carico max COS φ=0,4	Max load COS φ=0,4	5A 250Vac, 5A 30Vdc
Carico min	Min load	5Vdc/100mA
Δt on	Δt on	7mSec.
Δt off	Δt off	2mSec. dc
Isolamento cont. bobina	Contact-coil insulation	5KVac
Isolamento tra contatti	Insulation between contacts	1KVac
Vita meccanica (relè)	Mechanical life (Relays)	20x10 ⁶ cicli / cycles
Fusibile	Fuse	Poliswitch 2 A
Temperatura di funzionamento	Operating temperature	-25...50° C
Allacciamento	Connection	Morsetti estraibili / Pluggable terminal blocks
Sezione cavi flessibili	Fine-wired section	max 2,5 mm ²
Montaggio	Mounting	a scatto su profilo / Snap-in mounting on DIN TS32 TS35

Comandi tramite Flat (16 poli) Commands using I.D.C. Connector (16 ways)

Relè Relays	Tipo Type	Codice Code	Dim. LxBxH (mm)
8	EMRS8CFF16/24C	31E018742	22,5x120x112

Relè / Relays J1

K1	16
K2	14
K3	12
K4	10
K5	8
K6	6
K7	4
K8	2
+24V	9,11,13,15
0V	1,3,5,7

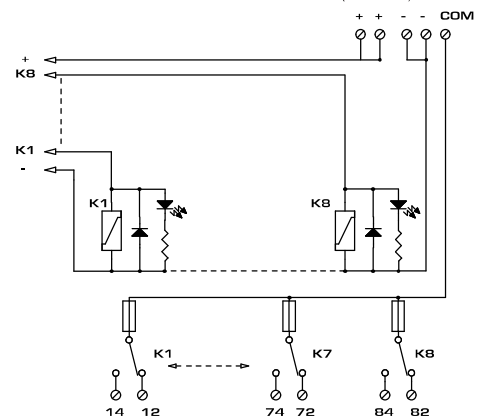
Comandi tramite Flat (10 poli) Commands using I.D.C. Connector (10 ways)

Relè Relays	Tipo Type	Codice Code	Dim. LxBxH (mm)
8	EMRS8CFF10/24C	31E018743	22,5x120x112
8	EMRS8SCFF10/24C	31E018744	22,5x120x112
4	EMRS4SCFF10/24C	31E018749	22,5x120x112

Relè / Relays J1

K1	3
K2	4
K3	5
K4	6
K5	7
K6	8
K7	9
K8	10
+24V	1
0V	2

EMRS8SCFF10/24C **31E018744** EMRS4SCFF10/24C **31E018749** (K1...K4)



← Piedino Connettore Flat / I.D.C. Connector Pin

⊗ Morsetti Estraibili / Pluggable Terminal Blocks

