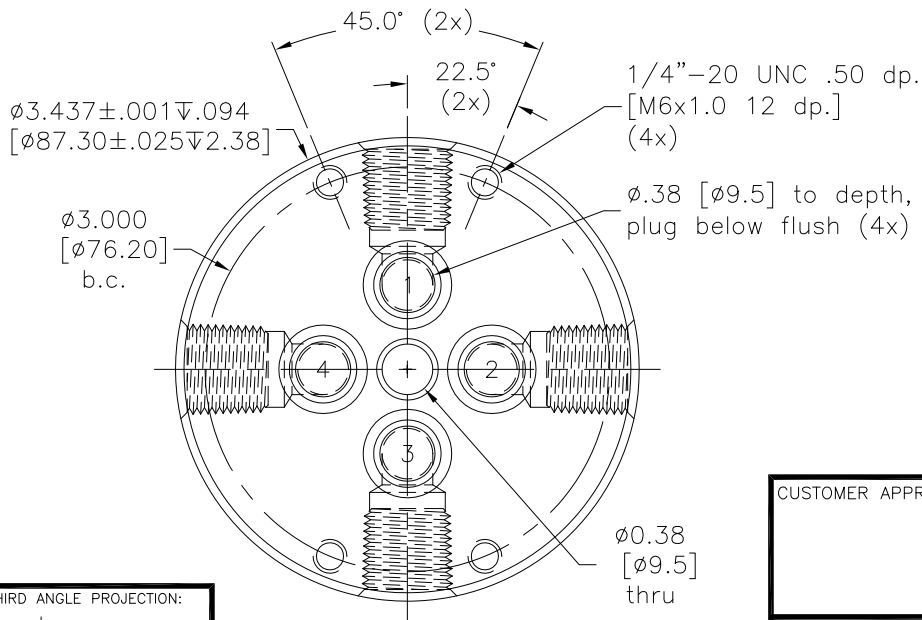
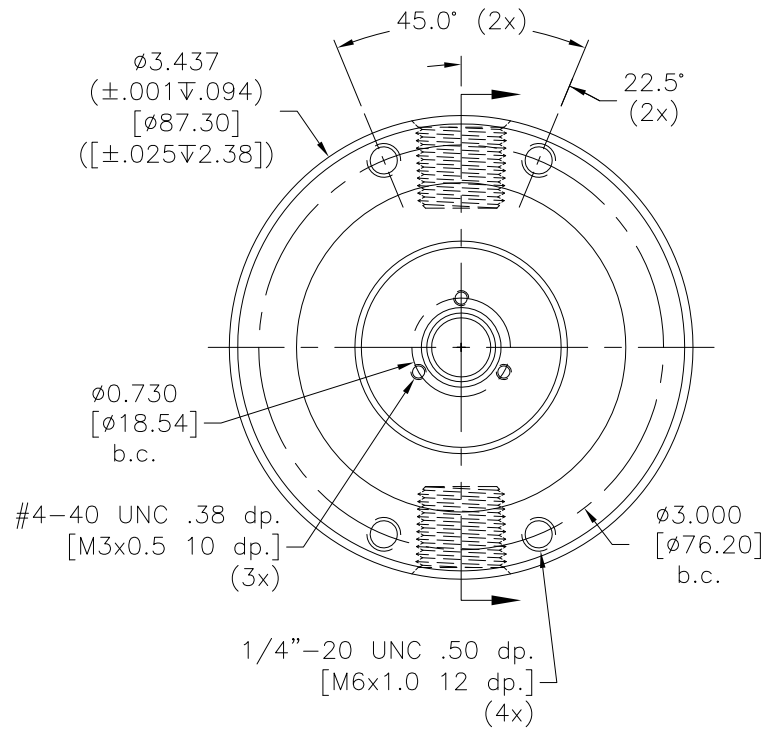
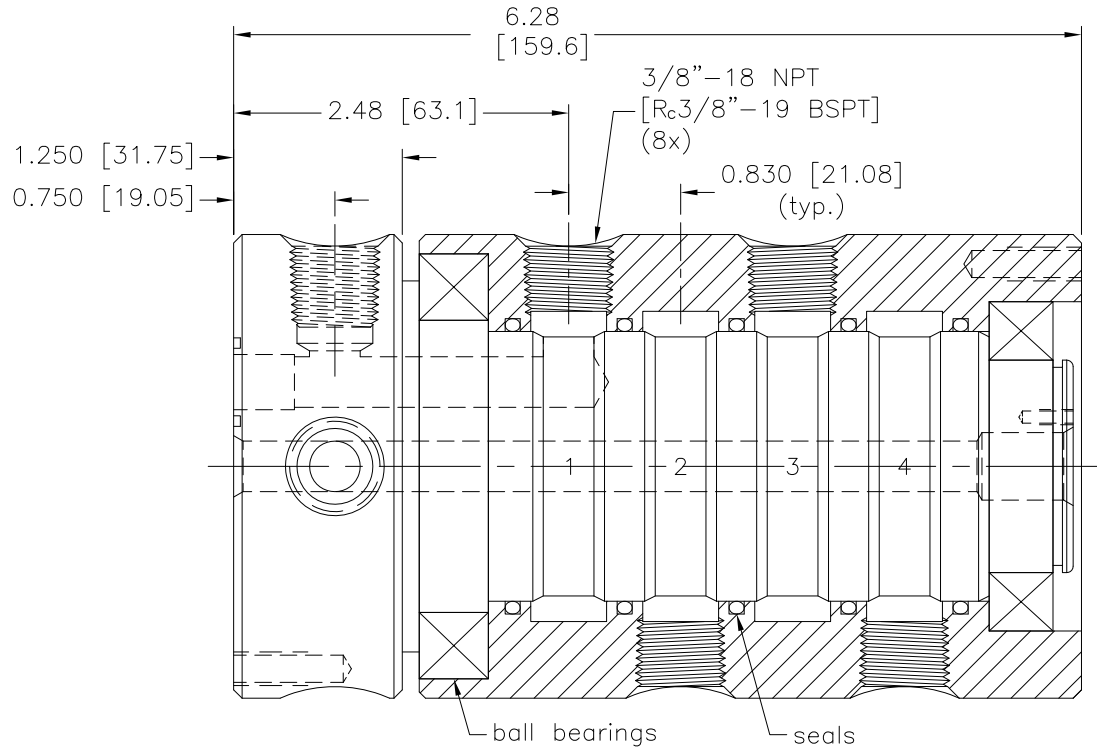
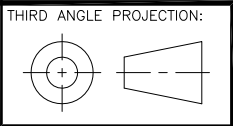


Rev:	Date	By	Chk	Description
A.1	6/15/11	PJE	TCB	Updated title block. Added metric part options.
A.2	10/3/14	JWW	PJE	ECO 0161



Notes:

1. Union will be static air tested.
2. Media must be filtered, clean and free of abrasive content or reduced union life will result.
3. Metric connections and threads available by using LTM in place of LT in the series designation prefix.
4. See Sheet 2 for product options.



CUSTOMER APPROVAL/DATE:

Drawn	JSM	6/1/03
Checked	PJE	11/29/05
Checked	PJE	11/18/08

TOLERANCE EXCEPT AS NOTED	
X.X	$\pm .125$
X.XX	$\pm .015$
X.XXX	$\pm .005$
ANGLES	$\pm 0.5^\circ$

SHAFT MTL/PLTING:  
 6061 ALUM  
 E-NICKEL

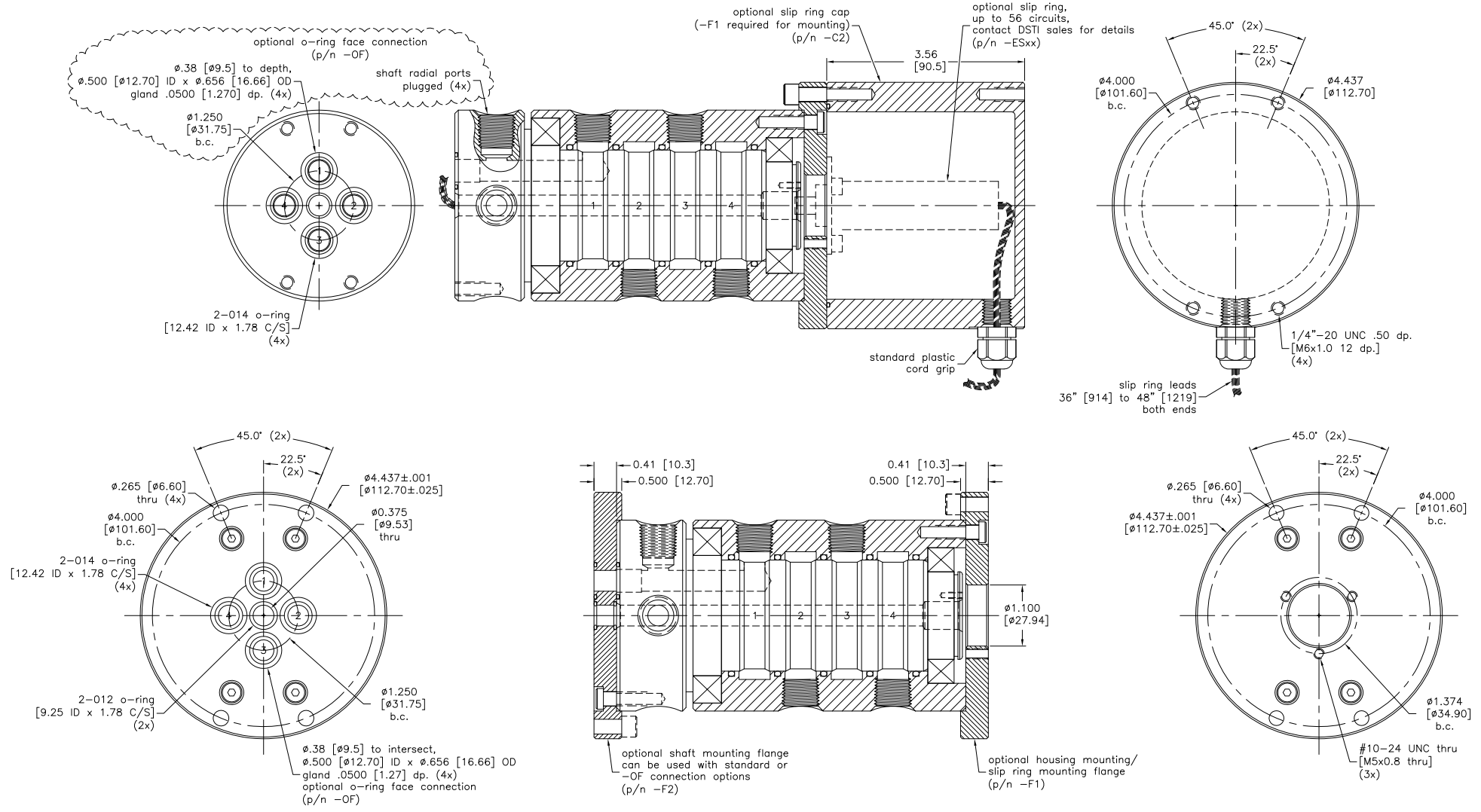
HOUSING MTL/PLTING:  
 6061 ALUM  
 BLUE ANNO DIZE



CUSTOMER:  
 STOCK

P/N: LT(M)-2341  
 REV: A.2

THIS DOCUMENT CONTAINS INFORMATION WHICH IS PROPRIETARY TO DYNAMIC SEALING TECHNOLOGIES, INC. (DSTI) NO REPRODUCTION OR PUBLICATION OF THIS DOCUMENT OR IT'S CONTENTS, IN WHOLE OR PART, SHALL BE MADE WITHOUT THE WRITTEN CONSENT FROM DSTI.



Notes:

1. Metric connections and threads available by using LTM in place of LT in the series designation prefix.

Drawn	PJE	11/29/05
Checked	PJE	11/18/08
Checked	PJE	6/15/11

TOLERANCE EXCEPT AS NOTED	
X.X	±.125
X.XX	±.015
X.XXX	±.005
ANGLES	± 0.5°



CUSTOMER APPROVAL/DATE:

THIS DOCUMENT CONTAINS INFORMATION WHICH IS PROPRIETARY TO DYNAMIC SEALING TECHNOLOGIES, INC. (DSTI) NO REPRODUCTION OR PUBLICATION OF THIS DOCUMENT OR IT'S CONTENTS, IN WHOLE OR PART, SHALL BE MADE WITHOUT THE WRITTEN CONSENT FROM DSTI.

FLANGES MTL/PLTING:  
6061 ALUM  
BLUE ANNOIDIZE

CAPS MTL/PLTING:  
6061 ALUM  
BLUE ANNOIDIZE

CUSTOMER:  
STOCK

P/N:  
LT(M)-2341-SEE NOTES

REV:  
A.2