



## 3M™ Simtronics™ DF-TV7-V

Multi-spectrum UV/2IR Flame Detector

### Presentation

The MultiFlame DF-TV7-V is a combined ultraviolet / infrared flame detector offering excellent flame detection whilst maintaining outstanding false alarm immunity.

The device offers a wide range of output options, as standard and is suitable for use in SIL 2 applications, the unit may be

interfaced directly with a wide range of fire panels, controllers and PLC's etc.

The unit is fully configurable using a wireless handheld terminal (TLU600) or optionally via HART (TM) giving true

flexibility to the installer. Time delays, sensitivity and output configuration are all set up via the TLU; a hazardous area approved hand-held unit.

Wireless testing of the optical and output circuits are also possible using the TLU.



Télécommande sans fil  
TLU600

### Characteristics

- Continuous auto-check of optical lens
- Relays, 4-20mA, 0-22mA, Hart outputs
- Long range up to 80m, 260 ft deep
- Wide field of view

# 3M™ Simtronics™ DF-TV7-V

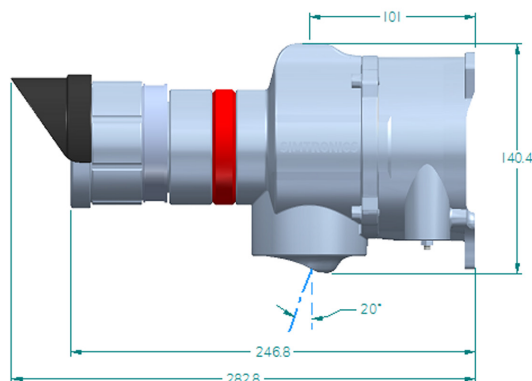
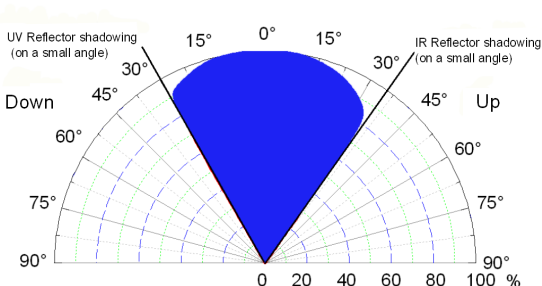
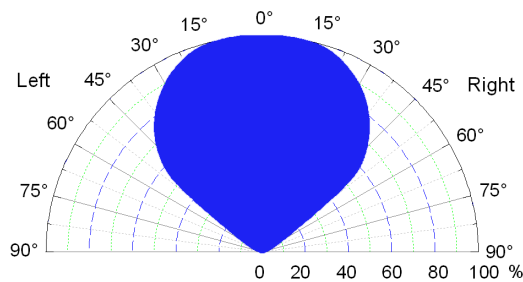
## Multi-spectrum UV/2IR Flame Detector

### Technical data

General	
Technology	Multi-spectrum ultra violet dual infra red
Fire types	Hydrocarbon fires
Range, n-heptane	45M (147ft) 0.3X0.3M (1 sq ft)
Range, gasoline	35M (114 0ft) 0.3X0.3M (1 sq ft)
Field of view	Horizontal angle @ 50% 97° Vertical angle @ 50% 55°
Response time	Adjustable from 2 to 20 seconds (typical 3.5S.)
Warranty	2 Years, back to factory
Output signal	
Standard	4-20Ma or 0-22ma (configurable by the user) Max. Load impedance 700 $\omega$ (std.) Hart protocol 7th edition (option) Lonworks for syntel (option)
Alarms	2 X configurable relays max 1a / 30vcc
Visual	Normal operating, alarm, fault
Electrical	
Power supply	24 Vdc, range (18 - 28 vdc)
Power consumption	2W normal, 4w during test
Connection	0.3 Mm2 (22 awg) - 1.5 Mm2 (16 awg) Shielded cable recommended
Environmental	
Storage:	De -40°C à +70°C
Operation	-40°C to +65°C (-40°F to 149°F)
Option	Sunshade, max. Temp. 85°C (185°F)
Humidity	99% Rh (non-condensing)
Ingress	IP66
RFI /EMI	Complies with en50130-4
Explosion proof housing	
TLU600	316 L stainless steel
Weight	5KG (10 LBS)
Dimensions	246.8 X 140.4 X 115 mm (l, h, w) 9.8 X 5.5 X 4.5 Inches

### Approvals

SIL	SIL2 approval without redundancy IEC 61508-1 to 7
ATEX	II 2 G Ex d IIC T6 Gb (-40°C to +65°C)
IECEX	IEC 60079-0 / IEC 60079-1
CE DPC	EN 54-10:2002 + A1:2005



### Accessories

TLU600	Infrared remote control unit, ATEX certified : II 1 G Ex ia IIC T4
LT15	Test lamp, ATEX certified : II 2 G Ex d IIC T6-T5
AS048-X	SS316 swivel bracket (with 2" or 2.5" pipe mounting)
AS056-450	Sun shade
AS040	Long type visor (vertical upper angle reduction)
AS041	Long type visor (horizontal and vertical angle reduction)
AS045	Air shield
AS215	Tag plate

Simtronics is a world-class provider of sophisticated gas and flame detection systems. The company has more than 25 years' experience in supplying gas detection for use in applications ranging from plant boiler rooms to offshore petrochemical facilities. Simtronics' products are used worldwide to help protect life and assets.

**AMERICAS - Texas (USA)**  
4055 Technology Forest Blvd.  
The Woodlands, TX 77381  
Tel.: +1-800-247-7257  
Fax: +1-281-292-2860

**EMEA**  
ZI Est, Rue Orfila,  
CS 20417  
62027 ARRAS CEDEX, France  
Tel.: +33-3-21-60-80-80  
Fax: +33-3-21-60-80-00

**ASIA PACIFIC**  
290 Guiqiao Road  
Pudong, Shanghai 201206  
People's Republic of China  
Tel.: +86-21-3127-6373  
Fax: +86-21-3127-6365



Copyright © 2018 3M, 3M Gas & Flame Detection. All rights reserved.  
gasdetection.3m.com. GF-30082D-EN