

Precision Rotative Transducers, Conductive Plastic, Economic Series (ECS)



Low cost industrial motion transducers, conductive plastic track.

SIZE	09			
MODEL	78 RS	78 RB	78 PS	78 PB

FEATURES

- Size 09: ($\frac{7}{8}$ ") 22.2 mm
- Long life: 5 million cycles
- Bush or servo mounting types available
- Rear comolded terminals
- Cost effective solution for any industrial applications
- Material categorization: for definitions of compliance please see www.vishay.com/doc?99912



RoHS
COMPLIANT

QUICK REFERENCE DATA

Sensor type	ROTATIONAL, conductive plastic
Output type	Output by turrets
Market appliance	Industrial
Dimensions	22.2 mm ($\frac{7}{8}$ ") dia.

ELECTRICAL SPECIFICATIONS

Theoretical electrical angle (TEA)	(AEA) - 3°	
Independent linearity (over TEA)	A ≤ ± 1 %, on request: B ≤ ± 0.5 % C ≤ ± 0.35 %	A ≤ ± 2 %
Actual electrical angle (AEA)	340° ± 5°	
Ohmic values (R _T)	1 kΩ - 2 kΩ - 5 kΩ - 10 kΩ (on request other values)	1 kΩ - 2 kΩ - 5 kΩ - 10 kΩ
Ohmic value tolerances at 20 °C	Standard: ± 20 %/special: ± 10 %	± 20 %
Output smoothness	0.1 %	
Maximum power rating at 70 °C	0.3 W	
Wiper current	Recommended: a few μA - 1 mA max. (continuous)	
Tap (current or voltage)	1: On request	NA
Resistance load on wiper	≥ 1000 x R _T	
End voltage	≤ 0.5 % DC	
Insulation resistance	≥ 1000 MΩ, 500 V _{DC}	
Dielectric strength	≥ 500 V _{RMS} , 50 Hz	

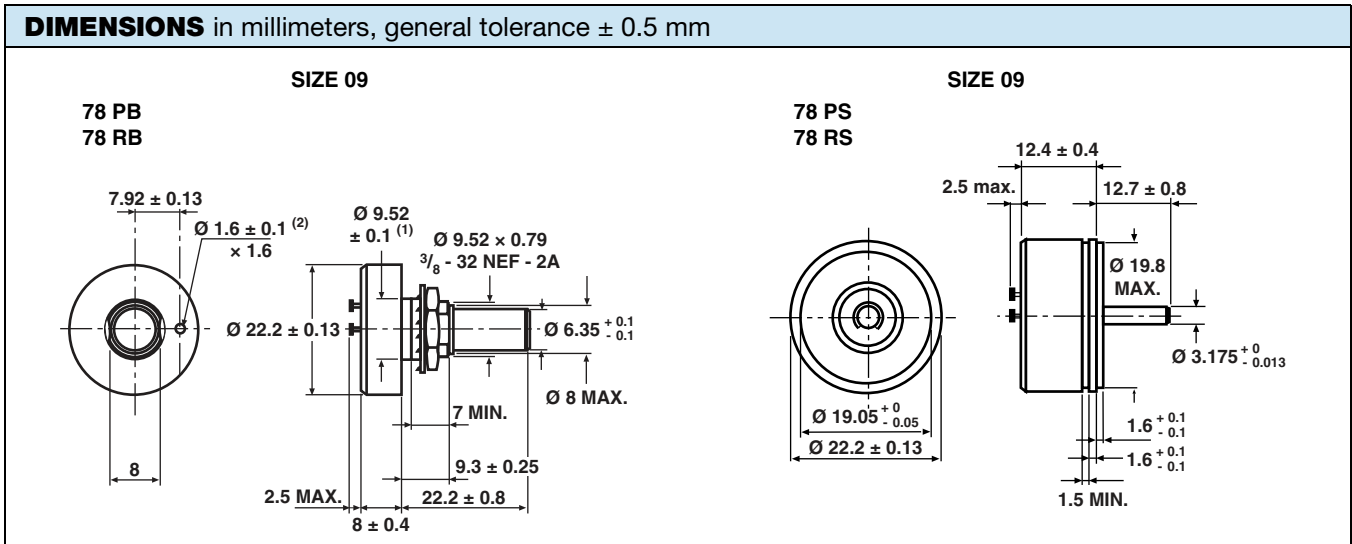
MECHANICAL SPECIFICATIONS

Mechanical angle (MA)	360° continuous			
On request: stops	342° ± 5°			
Mounting type	Servo	Bushing	Servo	Bushing
Shaft guiding	Sleeve bearings			
Shaft	Stainless steel			
Option: flat or screw driver slot on shaft	On request		NA	
Termination	Turrets			
Wiper	Precious metal multi-finger contact			
Starting torque (N.cm)	≤ 0.5			
Torque on stops (N.cm)	≥ 20			
Weight (g)	Bushing 17 g ± 3 g		Servo 12 g ± 3 g	

PERFORMANCE	
Life (10 ⁶ cycles)	5
Temperature range	-55 °C to +125 °C
Climatic category	55/125/04
Speed rotation (RPM)	150
Sine vibration on 3 axes	15 g from 10 Hz to 2000 Hz
Mechanical shocks on 3 axes	50 g - 11 ms - half sine

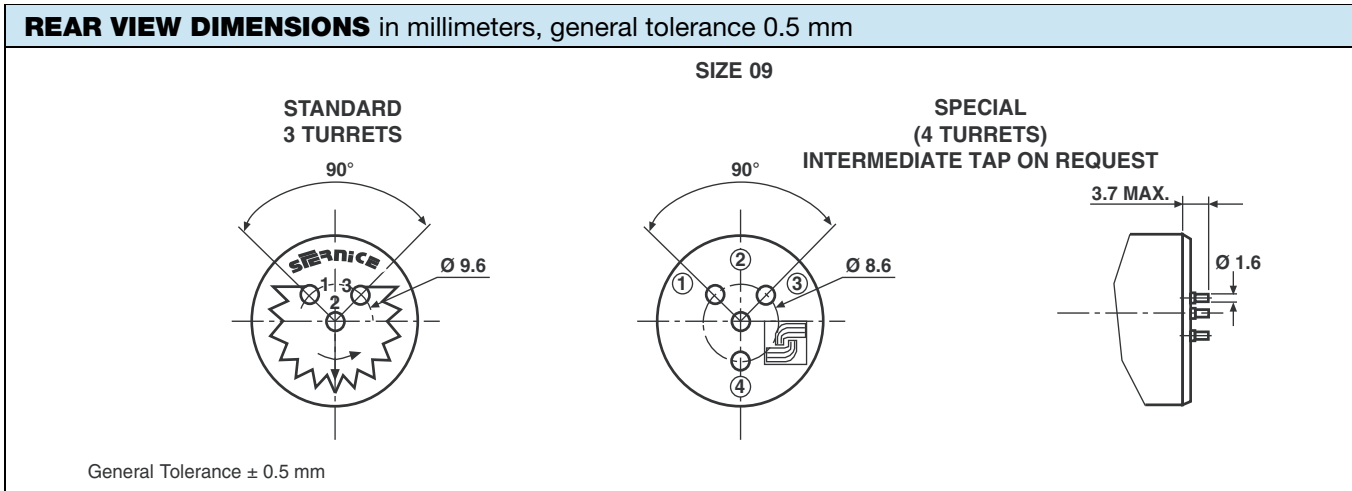
Note

- Nothing stated herein shall be construed as a guarantee of quality or durability.



Notes

- (1) On request: $\varnothing 10.3$ mm or 12.3 mm
- (2) On request: Without antirotation pin





ORDERING INFORMATION/DESCRIPTION								
ECS	78	P	S	M	A	T	103	e4
SERIES	MODEL	TYPE	FIXATION	MECHANICAL STOPS	LINEARITY	TAP	OHMIC VALUE	LEAD FINISH
		P	S: Servo	On request	A: ± 1% or ± 2 %	On request	102: 1 kΩ	
		R	B: Bushing	M	B: ± 0.5 %	T: Voltage	202: 2 kΩ	
					C: ± 0.35 %	U: Current	502: 5 kΩ	
						position to be specified	103: 10 kΩ	

SAP PART NUMBERING GUIDELINES			
ECS	78RB	B	102
SERIES	MODEL	LINEARITY	OHMIC VALUE