

DUCATI energia	CAPACITOR for THREE - PHASE POWER FACTOR CORRECTION	Qn = 12,5kVAR 400Uac
S.p.A		Part. Number : 416461150

### CHARACTERISTICS

Power	12,5	kVAr
Rated Capacitance	3x83	µF
Capacitance Tolerance	-5+10%	
Rated Voltage Un	400	V
Rated frequency	50	Hz
Rated Current (In)	18,0	A
Dielectric	PPM film	Self healing
Dielectric losses	≤0,2	W/kVar
Connection	Delta	
Overpressure safety device		
Aluminium case		
Dry resin filled		

### Equipment

Discharge resistor box	50V/1min
------------------------	----------

### MAXIMUM RATINGS

Overvoltage:	1,1 Un	8 hours/day
	1,15 Un	30min/day
	1,2 Un	5min/200times
	1,3 Un	1min/200times
Overcurrent:	4 In	
Inrush current:	200 In	
Voltage raise of rise (dV/dt)	100	V/µs

### TEST DATA

AC Test voltage terminal to terminal	2,15Un	Vac (2 sec)
AC test voltage terminal to case	3000	Vac (10 sec)

### CLIMATIC CATEGORY

Temperature class	-25/D	(max 55 °C)
Storage temperature	-40 +75	°C
Altitude maximum	2000m	a.s.l.

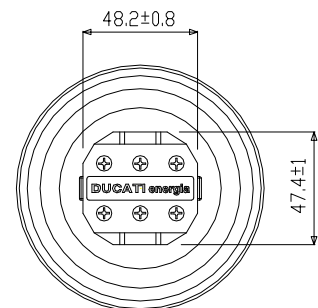
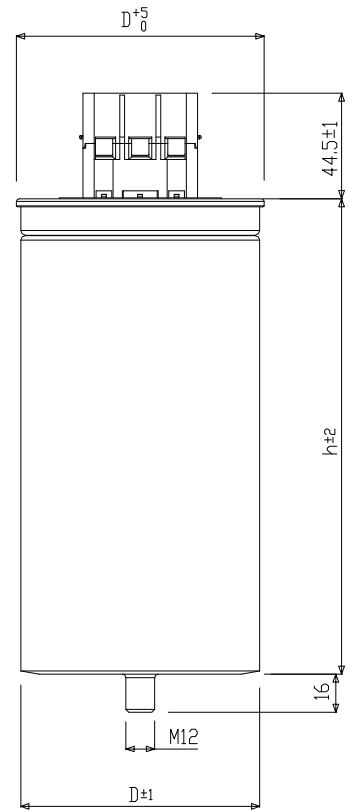
Failure quota	300/10E9
Expected life (Ln)	130.000h (-25/D)

**Standards:** EN60831-1  
EN60831-2

**Degree of protection:** IP20 indoor mounting

**Homologation :** UL File E192559

Humidity category	in accord. with DIN 40040	F
Self-extinguishing	in accord. with UL 492	
Vibration resistance	in accord. with EIA STAND. RS-186-7E	



Fixing Stud : M12  
Case materials: Aluminium

Ø (mm)	H (mm)
85 ± 1	255 ± 2

Total elongation is about 15 mm after the overpressure disconnecter release.  
Don't use rigid connections.