

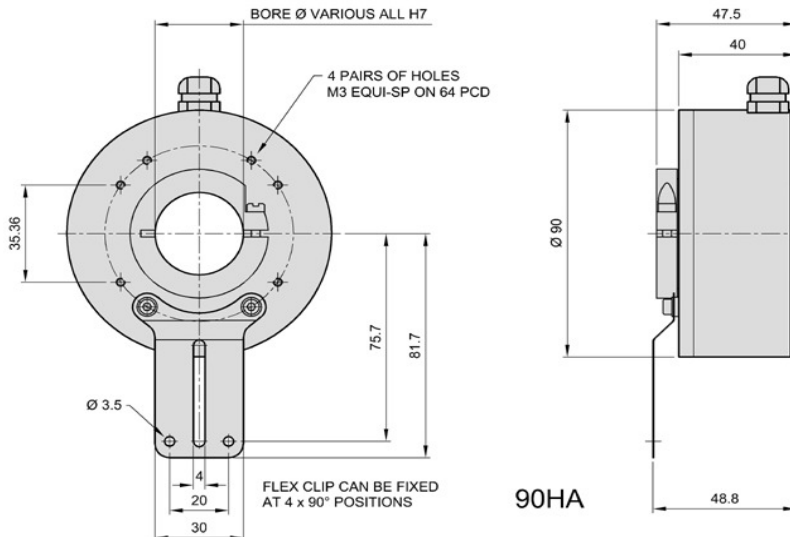
S E R I E S



# 90HA LUMINIUM

ROTARY INCREMENTAL SHAFT ENCODER

The 90HA Series is a precision heavy duty hollow shaft encoder, machined from solid aluminium. Its choice of versatile spring mounting clip or front face mounting holes, makes the encoder compatible with many industrial formats.



90HA

## S P E C I F I C A T I O N S

**Body:**

Precision Machined Aluminium

**Cover:**

Precision Machined Aluminium (Powder Coated)

**Shaft:**

Stainless Steel

**Bearings:**

Ballraces

**Shaft Sealing:**

Front: Sealed bearing  
Rear: Single lip seal on rear of cover

**Protection:**

IP65

**Operating Temp:**

-20 to +60°C (higher on request)

**Maximum Speed:**

3000 RPM (Higher on request)

**Torque:**

3Ncm (typical)

**Inertia:**

600gcm<sup>2</sup> (typical)

**Shaft Loading:**

Designed to support its own weight

**Cable:**

Screened, oil and salt water proof

**Impulse Frequency:**

Up to 300KHz (depending on model)

**Current Consumption:**

60mA (typical - without load)



# CONNECTIONS

FUNCTION	CABLE	PLUG
0 Volts	Black	Pin 1
+ Volts	Red	Pin 2
A Channel	White	Pin 3
B Channel	Blue	Pin 4
Z Channel	Yellow	Pin 5
$\bar{A}$ Channel	Green	Pin 6
$\bar{B}$ Channel	Violet	Pin 7
$\bar{Z}$ Channel	Brown	Pin 8

## ACCESSORIES AVAILABLE

~COUPLINGS

~BRACKETS & FLANGES

~MEASURING WHEELS

# STANDARD FEATURES

- IP65 Protection
- Automatic Calibration
- Short - Circuit & Overload Protection
- UK Manufactured
- High Noise Immunity
- Robust Construction
- Low Cost
- Fast Delivery
- 3 YEAR WARRANTY

# STANDARD ORDERING CODES

