

Ref. : VGJOINT.pas

Rev. : B

Date : 05/05/2014

Page : 1/1

SEAT FOR KNIFE GATE VALVES

VGJOINT



Tecofi
VALVE DESIGNER - FRANCE

APPLICATION

General use : Seat for knife gate valves :

- Standard type : VG 3400 ; VG 6400.
- Through conduit type : VGT 3400 ; VGT 6400.
- Under silo special type : VGS 3400 ; VGS 6400.

GENERAL CHARACTERISTICS

Design in accordance to TECOFI knife gate valves.

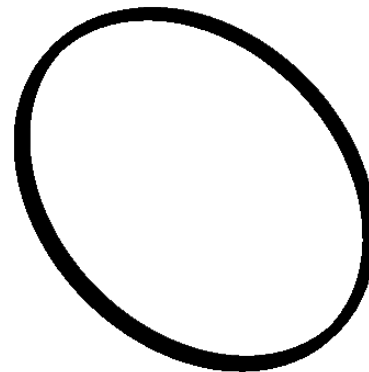
Range : from DN 50 to DN 600.

Gasket seat wrenching not possible :

- Mounting with a support ring.
- Heel shaped.

Rubber seat.

Hardness : 70 shores.



CONSTRUCTION

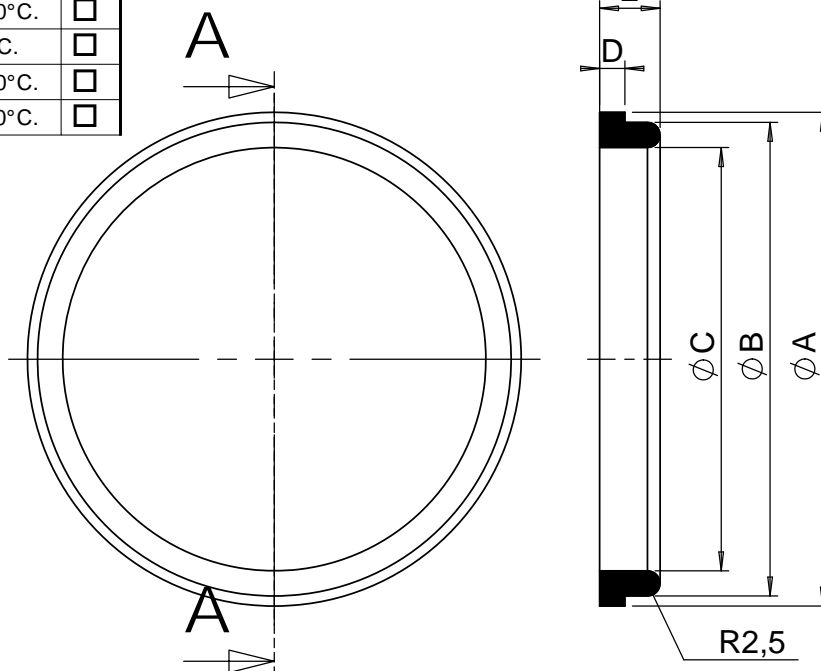
1	1	Seat	NBR (Cast iron standard construction) EPDM (Stainless steel standard construction)
Pos.	Qty.	Description	Material

WORKING CONDITIONS

Others materials on standard	Temperature rating	
EPDM	T max : -20°C / +130°C.	<input type="checkbox"/>
NBR	T max : -10°C / +80°C.	<input type="checkbox"/>
Others materials on request	Temperature rating	
White EPDM	T max : -20°C / +130°C.	<input type="checkbox"/>
White NBR	T max : -10°C / +80°C.	<input type="checkbox"/>
PTFE	T max : +4°C / +170°C.	<input type="checkbox"/>
FPM (Type Viton®)	T max : -10°C / +170°C.	<input type="checkbox"/>
White FPM (Type Viton®)	T max : -10°C / +170°C.	<input type="checkbox"/>
CSM (Type Hypalon®)	T max : +4°C / +80°C.	<input type="checkbox"/>
Silicone	T max : -20°C / +170°C.	<input type="checkbox"/>
White silicone	T max : -20°C / +170°C.	<input type="checkbox"/>

DIMENSIONS

DN	A	B	C	D	E
50	67	63	53	5	12
65	84	80	70	5	12
80	98	94	84	5	12
100	118	114	104	5	12
125	143	139	129	5	12
150	168	164	154	5	12
200	218	214	204	5	12
250	268	264	254	5	12
300	318	314	304	5	12
350	370	366	356	5	12
400	420	416	406	5	12
450	472	468	458	5	12
500	522	518	508	5	12
600	622	618	608	6	15



TECOFI France - 83, Rue Marcel Mérieux 69960 Corbas - FRANCE
Tél. +33 (0) 4 72 79 05 79 - Fax +33 (0) 4 78 90 19 19 / +33 (0) 4 72 79 05 70
Adresses e-mail : sales@tecofi.fr ; tecofi@tecofi.fr / Site web : www.tecofi.fr