



# 1490 5 Digit 1/8 DIN Panel Indicator



## Description

The 1490 is a Universal Input Indicator with single or dual configurable alarms, optional linear retransmission of Process Variable, Transmitter power supply option as well as optional Modbus communications.

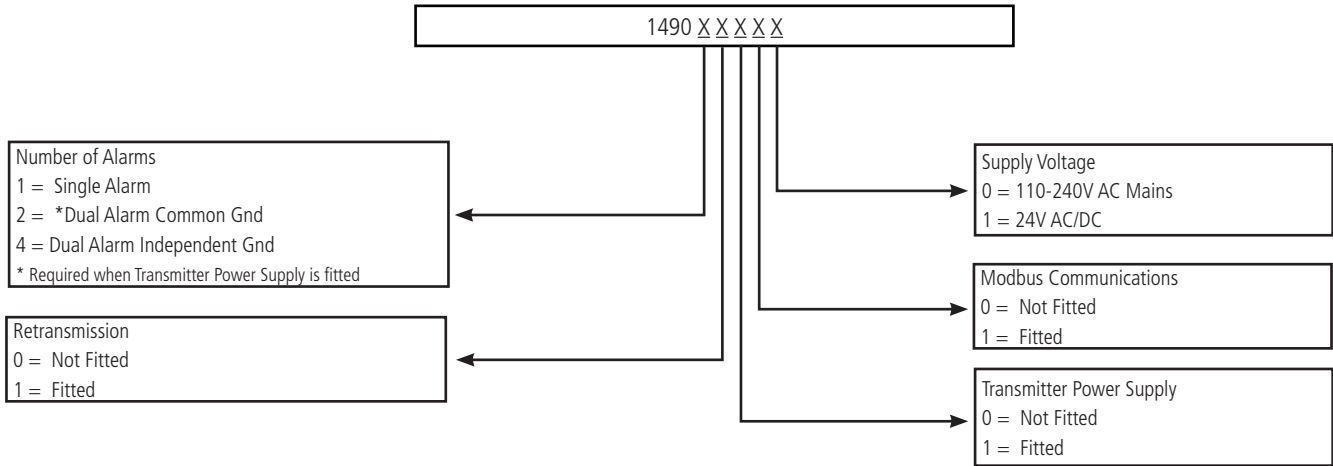
## Features

- Universal Input
- 2 Alarm Outputs
- Retransmission
- Min/max Value Hold
- Modbus Communications
- Transmitter Power supply

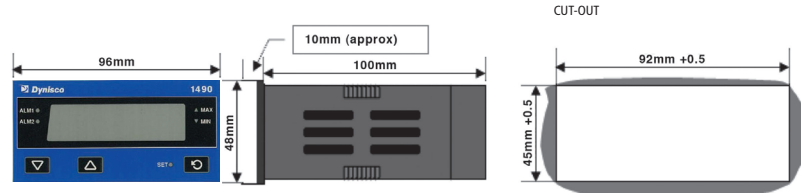
Features	
<b>Output Configuration:</b>	1 or 2 relay outputs, with optional linear retransmission
<b>Alarms:</b>	2 process high / low with adjustable hysteresis
<b>Viewable Values:</b>	Process variable, maximum value, minimum value
<b>Human Interface</b>	3 button operation, 5 digit 13mm high display red, 2 alarm indicator
Input	
<b>Thermocouple:</b>	J, K, C, R, S, T, B, L, N & PtRh20%vsPtRh40%
<b>RTD:</b>	3 Wire PT100, 50Ω per lead maximum (balanced)
<b>Strain Gauge:</b>	350 Ohm Strain Gage
<b>Bridge Connection:</b>	4 or 6 wire (6 to use internal shunt cal switch)
<b>Bridge Excitation:</b>	10V ±7%
<b>Bridge Sensitivity:</b>	1.4 to 4 mV/V
<b>Input Signal Span:</b>	- 25% to +125% of full scale (approximately -10 mV to +50 mV)
<b>Calibration:</b>	Internal switch between CAL2 & CAL1 terminals. External resistor only
<b>Shunt Value:</b>	From 40% to 100%
<b>DC Linear:</b>	0 to 20mA, 4 to 20mA, 0 to 50mV, 10 to 50mV, 0 to 5V, 1 to 5V, 0 to 10V, 2 to 10V
<b>Scaleable:</b>	-1999 to 99999 with adjustable decimal point
<b>Impedance:</b>	>10MΩ for Thermocouple and mV ranges, 47KΩ for V ranges and 5Ω for mA ranges
<b>Accuracy:</b>	±0.1% of input range ±1 LSD (T/C CJC better than 1°C)
<b>Sampling:</b>	10 per second, 16 bit resolution approximately (100ms sample time)
<b>Sensor Break Detection:</b>	<2 seconds (except zero based DC ranges), high alarms activate for T/C, RTD and mV ranges, low alarms activate for mA or V ranges

Outputs & Options	
<b>Alarm Relays:</b>	Contacts Single Relay SPDT 2 Amp resistive at 240V AC, >500,000 operations. Latching or non-latching. Dual Relay SPST 2 Amp resistive at 240V >200,000 operations. Reinforced safety isolation from inputs and other outputs
<b>DC Linear Retransmit Outputs:</b>	0 to 20mA, 4 to 20mA into 500Ω max, 0 to 10V, 2 to 10V, 0 to 5V into 500Ω min. 15 3/4 bit (1 part in 52K) and updated at about 65ms intervals. (130ms settling time) Stability: ±76ppm
<b>Transmitter Power Supply:</b>	Output 24VDC @ 60mA
<b>Serial Communications:</b>	2 Wire RS485, 1200 to 19200 Baud, Modbus
<b>Logic Input:</b>	External reset of latched relay, stored alarm 1 elapsed time, stored min/max PV values or initiate tare function. Action occurs on high (3 to 5VDC) to low <0.8VDC, or Open to Closed transition
Operating & Environmental	
<b>Temperature &amp; RH:</b>	0 to 55°C (-20 to 80°C storage), 20% to 95% RH non-condensing
<b>Power Supply:</b>	110 to 240V 50/60Hz 7.5VA (optional 20 to 48V AC 7.5VA/22 to 65V DC 5 watts)
<b>Front Panel Protection:</b>	IEC IP66 (Behind panel protection is IP20)
<b>Standards:</b>	CE. Pollution Degree 2, Installation Category II "UL Listed"

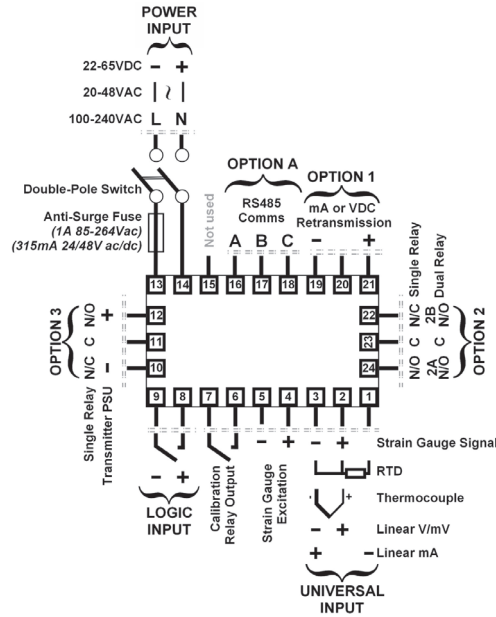
# Ordering Guide for 1490 5 Digit 1/8 DIN Panel Indicator



## Dimensions



WIRING LABEL/REAR TERMINALS



All dimensions are inches (mm) unless otherwise specified.  
 ©2016. Dynisco reserves the right to make changes without notice.  
 Refer to [www.dynisco.com](http://www.dynisco.com) for access to Operator Manual and other support documentation.  
 DS1490INDICATOR  
 Rev: 1216



[www.dynisco.com](http://www.dynisco.com)

**Dynisco**  
 38 Forge Parkway  
 Franklin, MA 02038  
 USA  
 Hotline 1-800-Dynisco  
[www.dynisco.com](http://www.dynisco.com)  
 Phone +1 508 541 9400  
 Fax +1 508 541 6206  
 Email [infoinst@dynisco.com](mailto:infoinst@dynisco.com)

**Dynisco Europe, GmbH**  
 Pfaffenstr. 21  
 74078 Hellbronn  
 Germany  
 Phone +49 7131 297 0  
 Fax +49 7131 297 166  
 Email [dyniscoeurope@dynisco.com](mailto:dyniscoeurope@dynisco.com)

**Dynisco Shanghai**  
 Building 7A, No. 568  
 Longpan Rd Malu  
 Jiading, 201801 China  
 Phone +86 21 34074072-819  
 Toll Free +86 400 728 9117  
 Fax +86 21 34074025