

## YBLT-EKW/5A/B Foot Switch

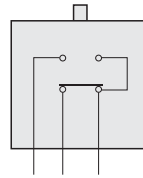
### 1. General

The foot switch YBLT-EKW/5A/B series is suitable for alternating current 50~60Hz; and the control lines of voltage to 380V, volts d.c. to 220V; as control machine tools electric, medical facility etc.  
In accordance with standard: GB 14048.5, IEC 60947-5-1.

### 2. Type designation

YB LT- EKW/5A /B  
 YB Type of improved product  
 LT- Foot switch  
 EKW Design sequence No.  
 5A Promise heating current  
 B Type B

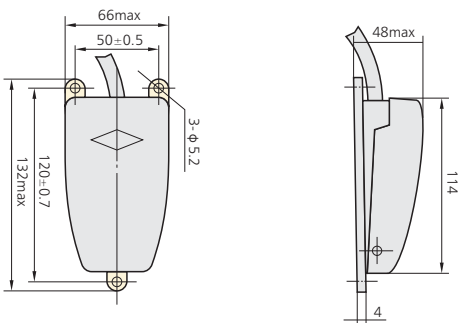
Contact type



### 3. Overall and mounting dimensions

Voltage rating: AC 380V, DC 220V;  
 Voltage current: AC 0.8A, DC 0.16A;  
 Promise heating current: 5A;  
 Switch element: YBLX-19/K Sheathing material: cast aluminum alloy.  
 Level of protection: IP20.

YBLT-EKW/5A/B



### 4. Ordering information

The full model number, name and quality of the switch should be given when ordering.  
 For example: YBLT-EKW/5A/B foot switch , 100 peace