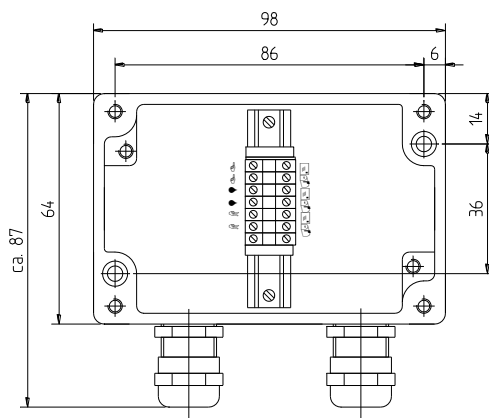


Features

- **ZK1 for max. 1 load cell**
- **Connection on screw-clamp terminals**
- **Solid aluminium housing**
- **Protection class IP65**
- **Nickel plated cable glands**
- **Dimensions: 98 x 90 x 34 mm**

1.) Mounting

The junction box can be fixed with two screws M4 (length 20mm). Dimensions and positions of the holes 86x72mm are shown in the drawing below:



Cable glands which are not required have to be removed and the holes must be closed with the enclosed covers. With cable diameters of 4-8mm for load cells and 6-12mm for indicator connection, the cable glands and the housing reach up to protection class IP 65.

2.) Electrical Connection

The following designations are used to mark the terminals:

Excitation	E+ and E-
Sense	S+ and S-
Signal	A+ and A-
Screen	(not designated)

The load cell cable have to be connected to the terminals at the left side. Connect the indicator cable to the right side of the terminals. The protection earth should be normally connected to the screen at the indicator, because the housing of the load cell is not connected with the screen. If the load cells have a connection from housing to screen (as the RLC), the protection earth of the screen should not be connected to the indicator.

Please note:

Using 4 wire load cells in combination with a 6 wire indicator, the terminals E+ and S+ have to be bridged. Do the same with terminal E- and S-!

Please contact us in case of further questions.