

AP 430 2/E

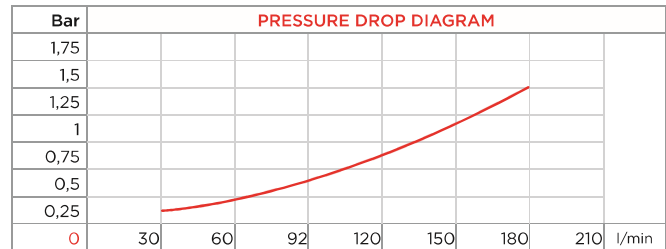
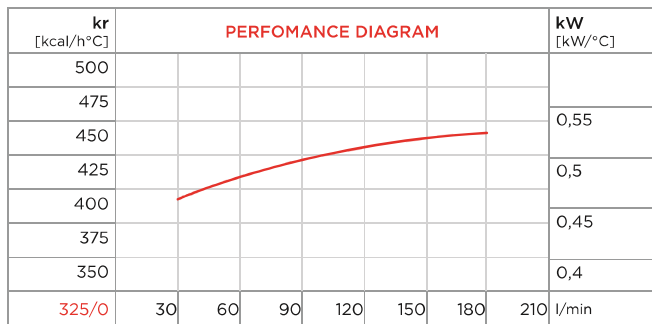
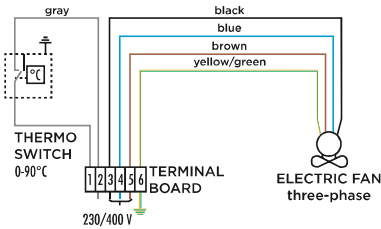


PURCHASE CODES

AP 430 2/E three-phase 3RAP432.1

SPARE PARTS

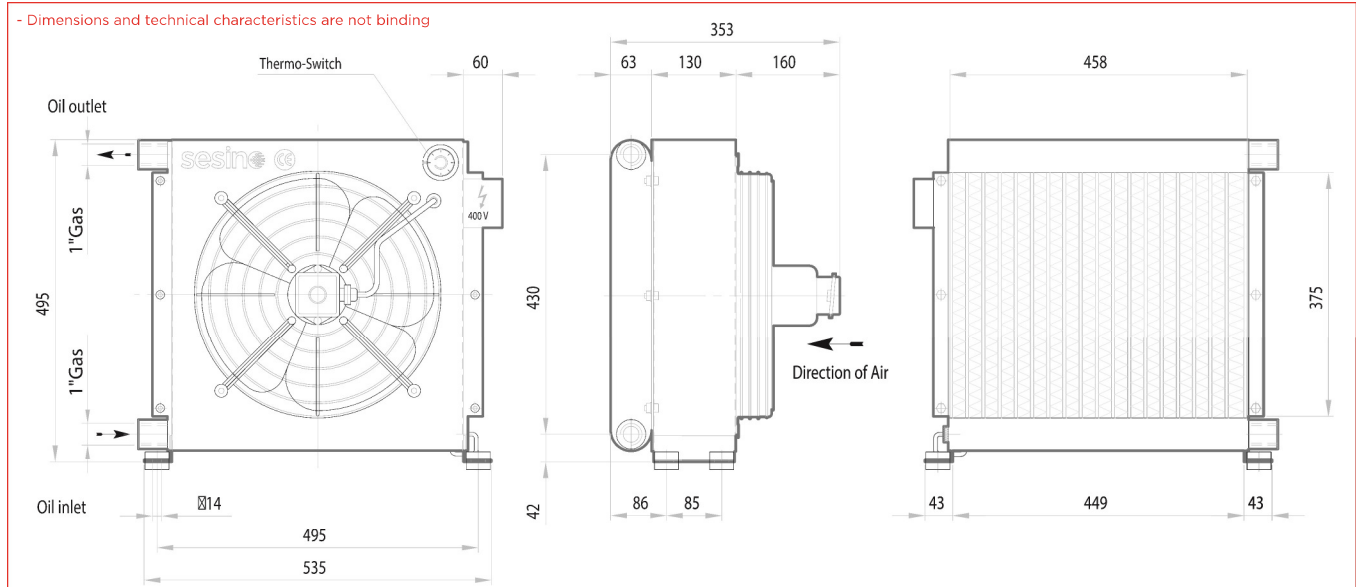
Cooling element	3RNAP432E
Frame	1432CNV
Adjustable thermo-switch	1TRMO-90
Shock isolating mounting (4 pcs)	3KIT4511
Electric Fan for 3RAP432.1	1VNELCO43238DV1
Electric junction box for 3RAP432.1	1CSSDSAREL



CORRECTION FACTOR

cSt	22	30	46	68	100	150	220
f	0,6	1	1,5	2,3	3,5	5	7

- Dimensions and technical characteristics are not binding



OIL FLOW	CAPACITY	VOLTAGE	FREQUENCY	POWER	CURRENT	AIR FLOW	PROTECTION	NOISE LEVEL	WEIGHT	Ø FAN
l/min	l	V	hz	W	A	m³/h	IP	dB(A)	kg	mm
30-180	5,5	Δ 230 Y 400	50	110/180	0,57/0,33	2.700	55	72	24	400
30-180	5,5	Δ 265 Y 480	60	145/260	0,68/0,39	3.500	55	72	24	400