



- A PART OF ADDTECH GROUP

## DATA SHEET

Customer:	
Ref.:	
Order:	
Motor:	
Serial nr:	
Date:	19-09-2018

### ASYNCHRONOUS MOTOR 4A 632-2

#### Nameplate data:

Code: 113781

Type:	4A 632-2			IP55	F/B	Amb. temp.: Max. 40°		
kW	Hz	V	A	Rpm	Cos	Eff.	Duty	IE.class
0,25	50	220-240 D	1,13	2720	0,81	68,0%	S1	IE1-(Eff2)
0,25	50	380-415 Y	0,65	2720	0,81	68,0%		
0,30	60	440-480 Y	0,68	3264	0,81	68,0%		

#### Description:

Mounting form:	B5
Bearing DE:	6201-2Z/C3
Bearing NDE:	6201-2Z/C3
Weight - Kg.:	5,1
Heater:	No Heater
PTC:	No PTC
Kgm <sup>2</sup> :	0,0006
Sound press.-db(A):	30,0

#### Other:


#### Test data S1-duty, Amb.temp 40°C:

Voltage - V:	400
Frequency - Hz:	50
Power - kW:	0,25
Full load speed - Rpm:	2720
Full load current - A:	0,65
Full load power factor - Cos:	0,81
Locked rotor current - A:	3,6
Locked rotor factor - $A_{st}/A_n$ :	5,5

Efficiency 100% load - %:	68,0%
Efficiency 75% load - %:	
Efficiency 50% load - %:	
Full load torque - Nm:	0,9
Locked rotor torque - Nm:	2,0
Locked rotor torque - $Nm_{st}/Nm_n$ :	2,3
Max. Pull out torque - Nm:	2,0
Max. Pull out torque. - $Nm_{st}/Nm_n$ :	2,3

Over load/speed test	kW	Hz	V	A	Rpm
Over load 160% - 15sec.	0,40	50	400	1,04	2720
Over speed 125% - 2 min.	0,25	63	400	0,65	3400
H-Pot test voltage: 1800V			Temp. rise in stator:		

The motor is produced in accordance with following harmonized standards:  
IEC60034-1, IEC60034-2, IEC60034-5, IEC60034-6, IEC60034-7, IEC60034-8, IEC60034-9  
IEC60034-12, IEC60034-14, IEC60034-30, IEC60072.

Additional specifications in accordance with:  
RINA - GL - LRS - BV - DNV - ABS - KR - RR - CCS - CCC - RMRS.

#### Bevi Group:

BEVI AB, Sweden	www.bevi.se	sales@bevi.se	+46 499 271 00
BEVI Nord AB, Sweden	www.bevi.se	bevinord@bevi.se	+46 90 70 44 30
BEVI A/S, Denmark	www.bevi.dk	bevi@bevi.dk	+45 39 67 36 05
BEVI Norge A/S, Norway	www.bevi.no	info@bevi.no	+47 22 07 66 50
BEVI Finland OY AB, Finland	www.bevi.fi	info@bevi.fi	+358 9 2709 1210
BEVI Est Oü, Estonia	www.bevi.ee	bevi@bevi.ee	+372 6828 755
BEVI UAB, Lithuania	www.bevi.lt	info@bevi.lt	+370 5 2611 112
BEVI CHINA, China	www.bevi.cn	sales@bevi.cn	+86 21 5032 5200

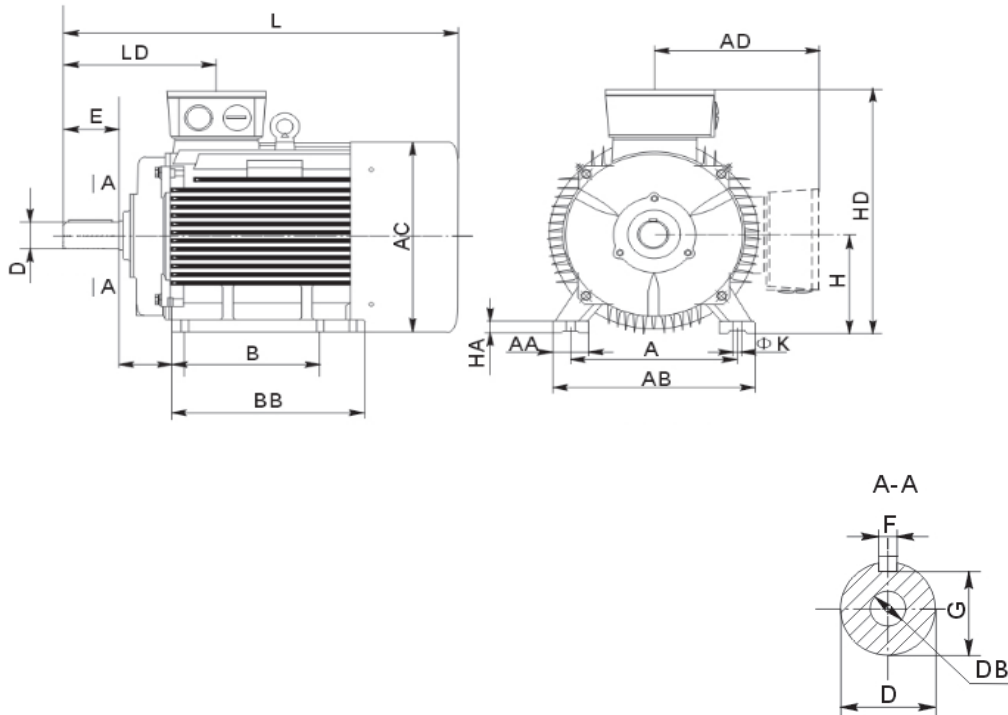


- A PART OF ADDTECH GROUP

## DATA SHEET

Customer:	
Ref.:	
Order:	
Motor:	
Serial nr:	
Date:	19-09-2018

### Foot mounted motor 4A 632-2 B3



A: 100	HD: 180	E: 23
B: 80	C: 40	D: 11
AB: 135	H: 63	G: 8,5
AC: 130	K: 7	DB: M4
AD: 115	L: 217	F: 4
LD: 0	L (V1): 0	

#### Bevi Group:

BEVI AB, Sweden  
 BEVI Nord AB, Sweden  
 BEVI A/S, Denmark  
 BEVI Norge A/S, Norway  
 BEVI Finland OY AB, Finland  
 BEVI Est Oü, Estonia  
 BEVI UAB, Lithuania  
 BEVI CHINA, China

www.bevi.se  
 www.bevi.se  
 www.bevi.dk  
 www.bevi.no  
 www.bevi.fi  
 www.bevi.ee  
 www.bevi.lt  
 www.bevi.cn

sales@bevi.se  
 bevinord@bevi.se  
 bevi@bevi.dk  
 info@bevi.no  
 info@bevi.fi  
 bevi@bevi.ee  
 info@bevi.lt  
 sales@bevi.cn

+46 499 271 00  
 +46 90 70 44 30  
 +45 39 67 36 05  
 +47 22 07 66 50  
 +358 9 2709 1210  
 +372 6828 755  
 +370 5 2611 112  
 +86 21 5032 5200

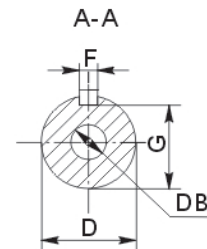
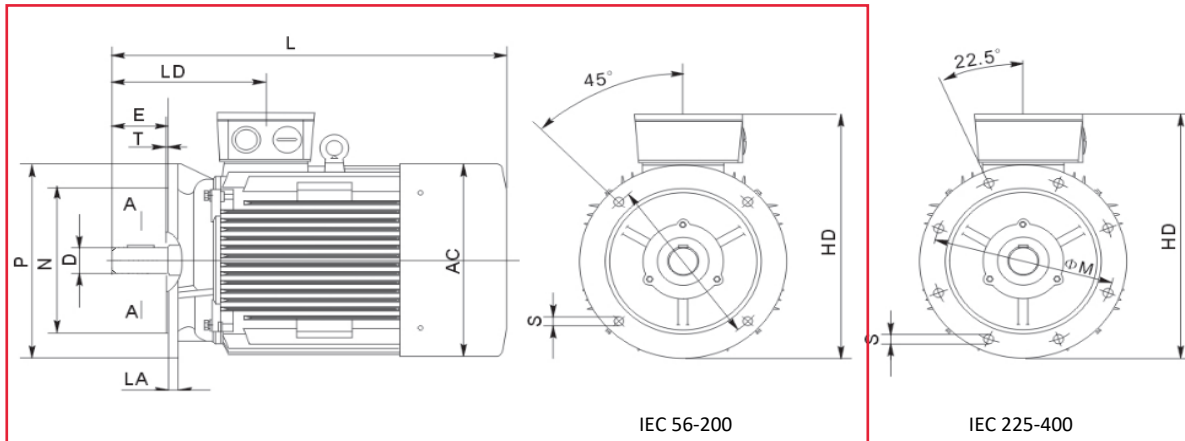


- A PART OF ADDTECH GROUP

## DATA SHEET

Customer:	
Ref.:	
Order:	
Motor:	
Serial nr:	
Date:	19-09-2018

### Flange mounted motor 4A 632-2 B5 (V1)



M: 115	HD: 180	E: 23
N: 95	L: 217	D: 11
P: 140	L (V1): 0	G: 8,5
S: 10	LD: 0	DB: M4
		F: 4

#### Bevi Group:

BEVI AB, Sweden  
 BEVI Nord AB, Sweden  
 BEVI A/S, Denmark  
 BEVI Norge A/S, Norway  
 BEVI Finland OY AB, Finland  
 BEVI Est Oü, Estonia  
 BEVI UAB, Lithuania  
 BEVI CHINA, China

www.bevi.se  
 www.bevi.se  
 www.bevi.dk  
 www.bevi.no  
 www.bevi.fi  
 www.bevi.ee  
 www.bevi.lt  
 www.bevi.cn

sales@bevi.se  
 bevinord@bevi.se  
 bevi@bevi.dk  
 info@bevi.no  
 info@bevi.fi  
 bevi@bevi.ee  
 info@bevi.lt  
 sales@bevi.cn

+46 499 271 00  
 +46 90 70 44 30  
 +45 39 67 36 05  
 +47 22 07 66 50  
 +358 9 2709 1210  
 +372 6828 755  
 +370 5 2611 112  
 +86 21 5032 5200

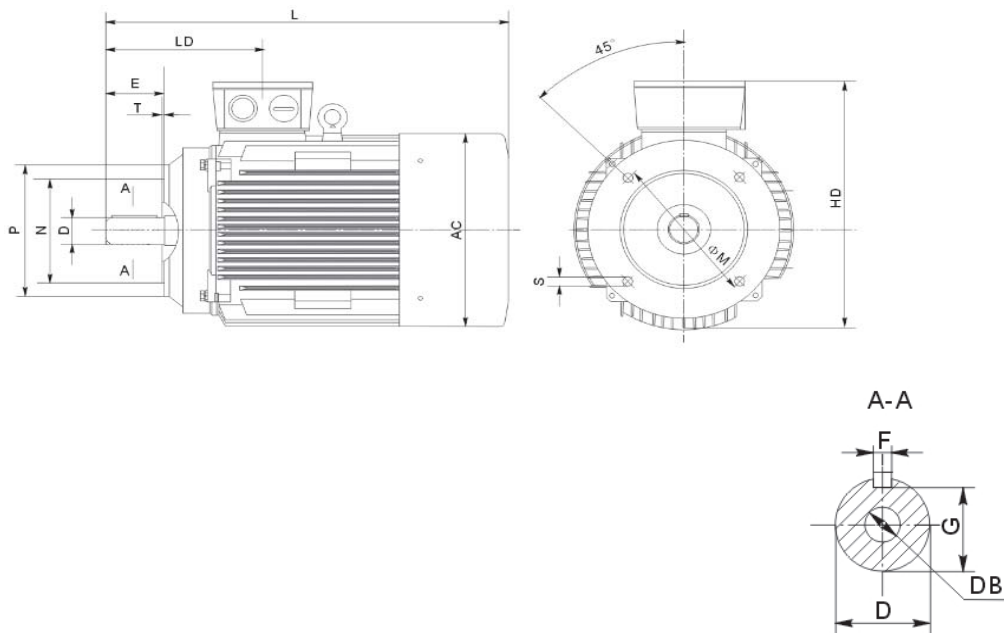


- A PART OF ADDTECH GROUP

## DATA SHEET

Customer:	
Ref.:	
Order:	
Motor:	
Serial nr:	
Date:	19-09-2018

### Flange mounted motor 4A 632-2 B14A or B14B



#### Flange type: B14A

M: 75  
N: 60  
P: 90  
S: M5

#### B14B

100  
80  
120  
M6

HD: 180  
L: 217  
L (V1): 0  
LD: 0

E: 23  
D: 11  
G: 8,5  
DB: M4  
F: 4

#### Bevi Group:

BEVI AB, Sweden  
BEVI Nord AB, Sweden  
BEVI A/S, Denmark  
BEVI Norge A/S, Norway  
BEVI Finland OY AB, Finland  
BEVI Est Oü, Estonia  
BEVI UAB, Lithuania  
BEVI CHINA, China

www.bevi.se  
www.bevi.se  
www.bevi.dk  
www.bevi.no  
www.bevi.fi  
www.bevi.ee  
www.bevi.lt  
www.bevi.cn

sales@bevi.se  
bevinord@bevi.se  
bevi@bevi.dk  
info@bevi.no  
info@bevi.fi  
bevi@bevi.ee  
info@bevi.lt  
sales@bevi.cn

+46 499 271 00  
+46 90 70 44 30  
+45 39 67 36 05  
+47 22 07 66 50  
+358 9 2709 1210  
+372 6828 755  
+370 5 2611 112  
+86 21 5032 5200

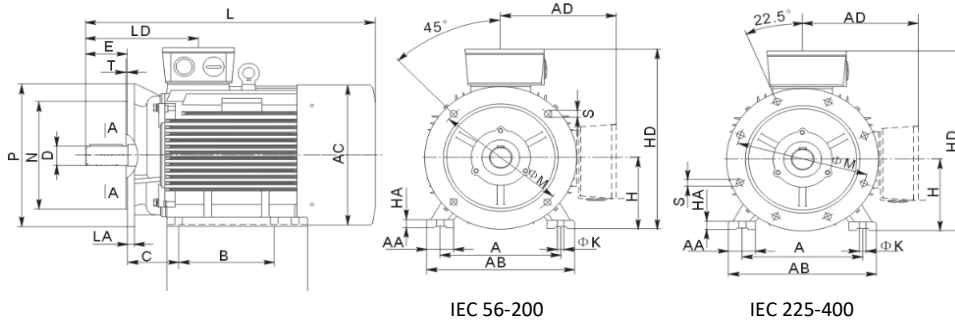


- A PART OF ADDTECH GROUP

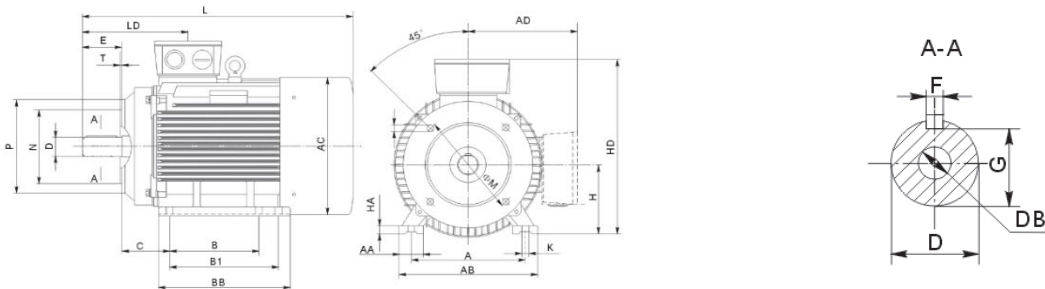
## DATA SHEET

Customer:	
Ref.:	
Order:	
Motor:	
Serial nr:	
Date:	19-09-2018

### Foot & flange mounted motor 4A 632-2 B3/B5



### 4A 632-2 B3/14A or B3/14A



#### Flange type: B5

M: 115  
N: 95  
P: 140  
S: 10

A: 100  
B: 80  
AB: 135  
AC: 130  
AD: 115  
LD: 0

#### B14A

M: 75  
N: 60  
P: 90  
S: M5

HD: 180  
C: 40  
H: 63  
K: 7  
L: 217  
L (V1): 0

#### B14B

M: 100  
N: 80  
P: 120  
S: M6

E: 23  
D: 11  
G: 8,5  
DB: M4  
F: 4

#### Bevi Group:

BEVI AB, Sweden  
BEVI Nord AB, Sweden  
BEVI A/S, Denmark  
BEVI Norge A/S, Norway  
BEVI Finland OY AB, Finland  
BEVI Est Oü, Estonia  
BEVI UAB, Lithuania  
BEVI CHINA, China

www.bevi.se  
www.bevi.se  
www.bevi.dk  
www.bevi.no  
www.bevi.fi  
www.bevi.ee  
www.bevi.lt  
www.bevi.cn

sales@bevi.se  
bevinord@bevi.se  
bevi@bevi.dk  
info@bevi.no  
info@bevi.fi  
bevi@bevi.ee  
info@bevi.lt  
sales@bevi.cn

+46 499 271 00  
+46 90 70 44 30  
+45 39 67 36 05  
+47 22 07 66 50  
+358 9 2709 1210  
+372 6828 755  
+370 5 2611 112  
+86 21 5032 5200