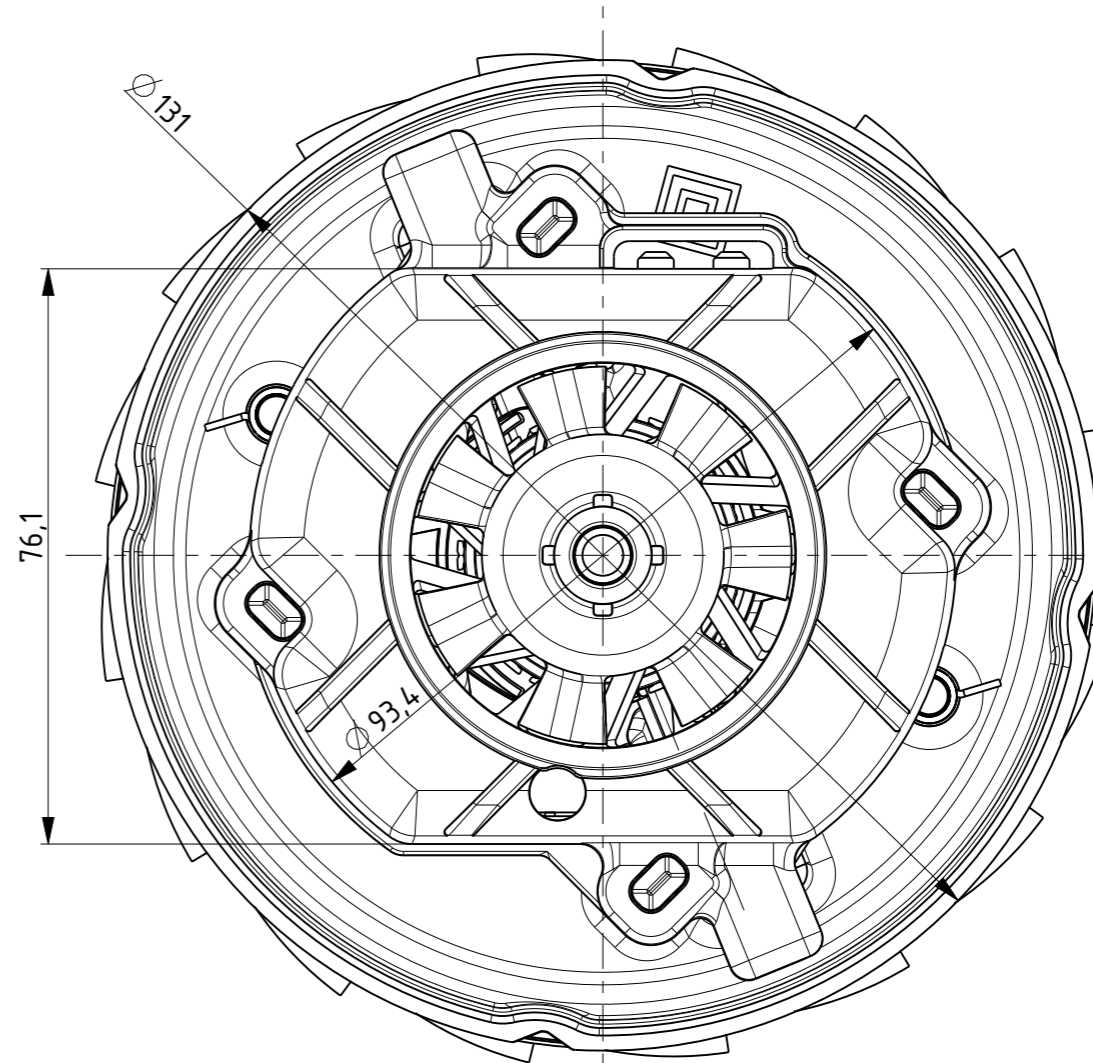
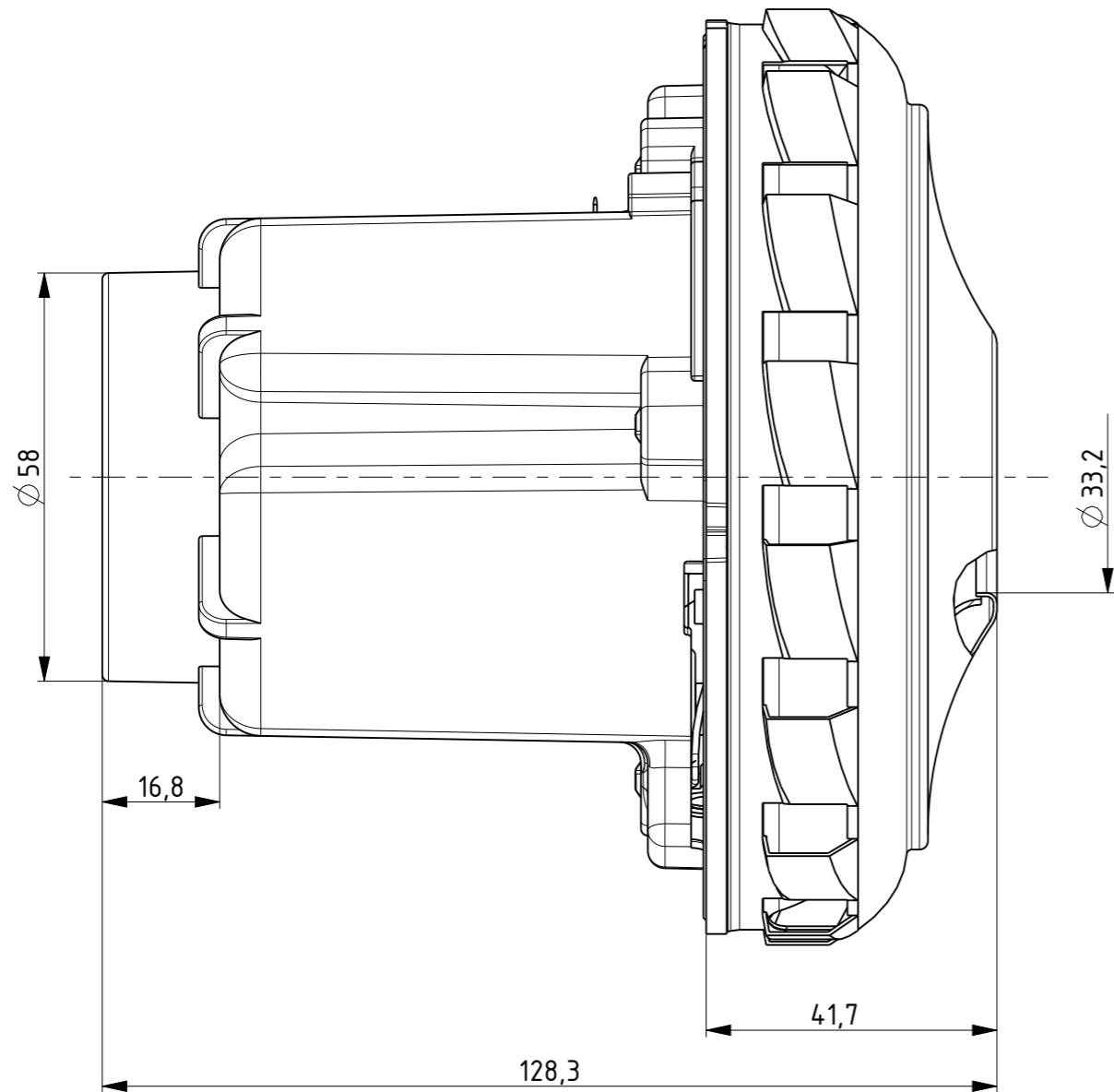


Izdelano s CAD/ProEngineer - ro-no spreminjanje ni dovoljeno! Vsak prenos tretjim osebam ali uporaba v nedogovorjene namene ni dovoljena po zakonu o avtorskih pravicah.  
 Made with CAD/ProEngineer - changing is not allowed! Any unauthorized copying of this drawing or unauthorized distribution of the information contained herein is prohibited.

NAPETOST	230 V
VOLTAGE	230 V
FREKVENCA	50 Hz
FREQUENCY	50 Hz
NAZIVNA MOČ	1450 W
NOMINAL POWER	1450 W
MAKSIMALNA MOČ	1600 W
MAXIMAL POWER	1600 W

DVOJNA IZOLACIJA  
 DOUBLE INSULATED



Oznake natisnjene na SE:  
 Information stamped on VCM:

DOMEL 467.3.404-2  
 230 V 50 Hz  
 I.C.I.H  
 YYWWD S NNNN  
 MADE IN SLOVENIA



OSNOVNE ZNAČILNOSTI		TYPICAL CHARACTERISTICS	
IZVEDBA	ENOSTOPENJSKA	FAN SYSTEM	SINGLE STAGE
VLEŽAJENJE	DVA KROGLIČNA LEŽAJA	BEARINGS	DUAL BALL
VRSTA PRETOKA	MIMO MOTORJA	DISCHARGE	BY PASS
SMER VR TENJA	DESNA	DIRECTION OF ROTATION	CW

Tolerance odprtih mer Tolerances without individual indications		Povrlnska hrapavost Surface finishing		Merilo Scale	1:2	Original format ISO 5457 - A3
ISO 2768 - m				Gradivo / Material		
Izdelal Designed	29.10.10	Ime/Name	Novinc M.	Naziv Title		
Pregl. Verified	11.09.12	Rihtaršič J.		SESALNA ENOTA VACUUM CLEANER MOTOR		
A0		10417	11.09.12	Novinc M.	Koda Code	
Ozn. Mark	10417	11.09.12	Novinc M.	DOMEL®		List Sheet
ft. obvestila Nr. of notice	11.09.12	Novinc M.	DOMEL®		467.3.404-2	
Datum Date	11.09.12	Novinc M.	DOMEL®		Stran Page	
Ime Name	11.09.12	Novinc M.	DOMEL®		3+	
Otoki 21, 4228 @elezniki, Slovenija		DOMEL®		467.3.404-2		1
4673404002_SESALNA_ENOTA						