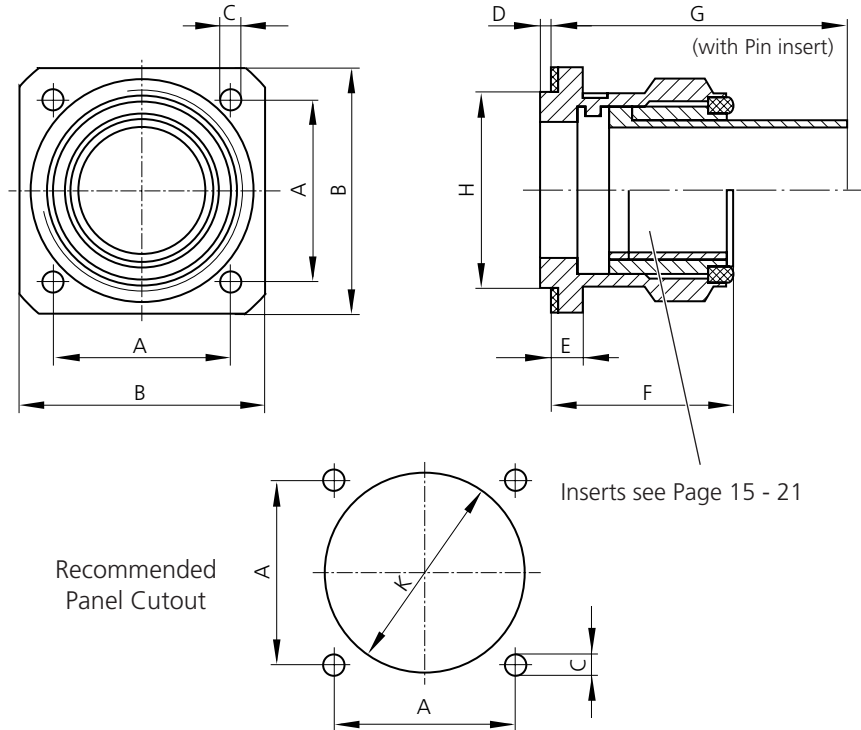


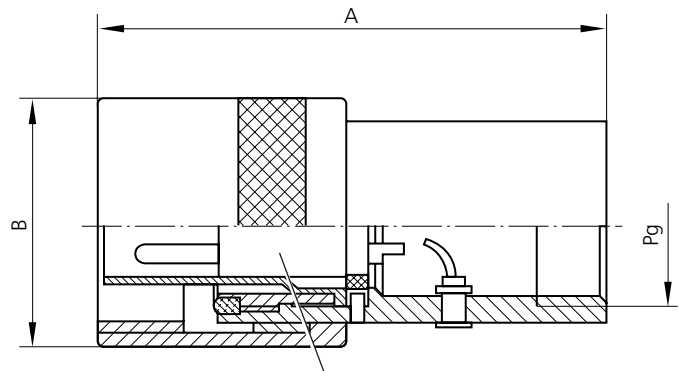
Series 207, 208, 209 Straight Receptacle



(All dimensions in mm)

Series	Material and Finish	Part Number	Dim. A	Dim. B	Dim. Ø C	Dim. D	Dim. E	Dim. F	Dim. G	Dim. Ø H	Dim. Ø K
207	Alu-anodized Brass-Ni-plated	207.010.000.632.000	24	32	3,2	1,5	4	23,5	38,5	25,5	26
		207.010.000.304.000									
208	Alu-anodized Brass-Ni-plated	208.010.000.632.000	34	46	3,3	2	6	27	41	32	32,5
		208.010.000.304.000									
209	Alu-anodized Brass-Ni-plated	209.010.000.632.000	48	60	4,5	3	7	33	55	46	46,5
		209.010.000.304.000									

Straight plug



Inserts see Page 15 - 21

(All dimensions in mm)

Series	Material and Finish	Part Number ¹⁾	Dim. A	Dim. B	Cable Size Pg ¹⁾	Comments
207	Alu-anodized Brass-Ni-plated	207.020.000.632.000	70	32	16	L = in mated condition with 207.010 L = 79
		207.020.000.554.000				
208	Alu-anodized Brass-Ni-plated	208.020.000.632.000	92	45	21	L = in mated condition with 208.010 L = 101
		208.020.000.554.000				
209	Alu-anodized Brass-Ni-plated	209.020.000.632.000	108	60	36	L = in mated condition with 209.010 L = 123
		209.020.000.554.000				

¹⁾ Cable size is not shown in Part Number (see Page 22 and 23)
Assembly Instructions Page 24