

## VSC150A absolute switch, passiv

The INFICON Vacuum Switch VSC150 is a absolute pressure switch with a adjustable electrical switching contact from 0.5 to 2000 mbar. The mechanical design allows a short therm overload of 3000 mbar without any impairing the switching accuracy of  $\pm 0.1$  mbar. INFICON offers customer specific adjustment of pressure switch.

### BENEFITS

- High switching accuracy ( $\pm 0.1$  mbar)
- Stable long term operating characteristics
- Rugged, corrosion protected design

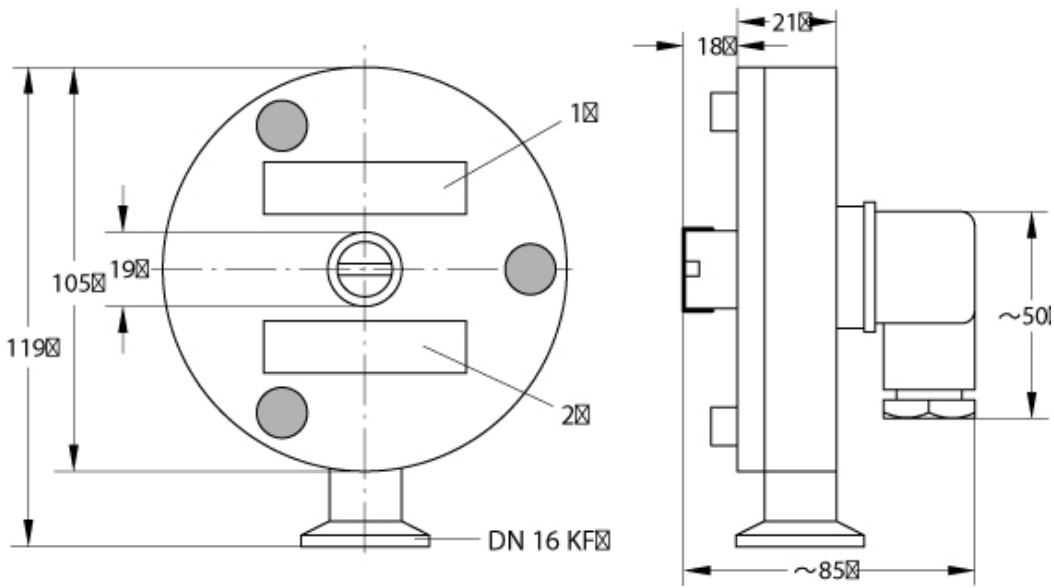
### FEATURES

- Switching contacts (normally closed) in the reference chamber and thus protected against process media
- Increased switching capability when using switching amplifier
- Adapter available for differential pressure measurement



de-de:Type	<b>VSC150A absolute switch, passiv</b>
VSC150 Vacuum Switch	399-005

## DE-DE: DIMENSIONS



[www.inficon.com](http://www.inficon.com) [reachus@inficon.com](mailto:reachus@inficon.com)

de-de: Due to our continuing program of product improvements, specifications are subject to change without notice.  
de-de: RateWatcher is a trademark of INFICON. All other trademarks are the property of their respective owners.

(2013-03) © 2012 INFICON