

VDF Series (Deep Flat Curve)

Feature and strengths

- ✓ Good adjustment to different work-piece outlines
- ✓ Highest transmission of holding forces
- ✓ Highly wear-resistant PU material
- ✓ Especially on oily sheet metal handling
- ✓ Avoidance of deep-drawing, even with thin sheets



Suitable for handling

- . Sheet metal
- . Carton box
- . Press line
- . Automotive panels and door
- . Convex surface



Order No.

VDF60 **PU** - **18F**
 | | |
 ① ② ③

① Suction Cup Ø

- VDF40 - ø40
- VDF50 - ø50
- VDF60 - ø60
- VDF80 - ø80
- VDF100 - ø100

② Material

- PU - Poly Urethane

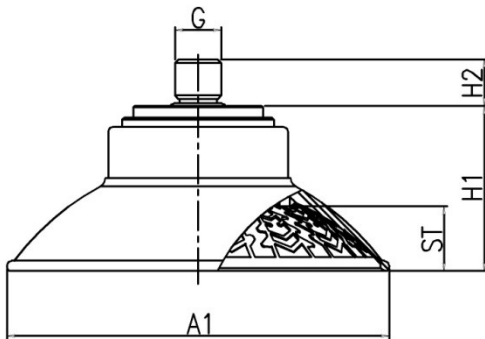
③ Thread size

- 18F - G1/8" female
- 14F - G1/4" female
- 38F - G3/8" female
- 12F - G1/2" female
- N18F - NPSF1/8" female
- N14F - NPSF1/4" female
- N38F - NPSF3/8" female
- 18M - G1/8" male
- 14M - G1/4" male
- 38M - G3/8" male
- M10M - M10XP1.5 male

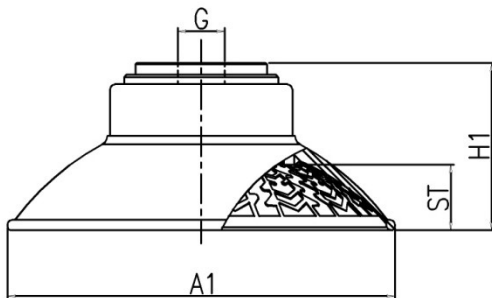
Recommended (max.) lifting forces

| Model | Volume (cm ³) | Lifting Force (kg) - Perpendicular | | | Lifting Force (kg) - Parallel | | |
|--------|---------------------------|------------------------------------|---------|---------|-------------------------------|---------|---------|
| | | -20 kPa | -60 kPa | -90 kPa | -20 kPa | -60 kPa | -90 kPa |
| VDF40 | 7 | 2.7 | 6.2 | 8.3 | 2.4 | 4.7 | 7.1 |
| VDF50 | 14 | 4.1 | 10.1 | 14 | 3.5 | 9.2 | 18.5 |
| VDF60 | 24 | 5.6 | 13.7 | 19 | 4.3 | 13.8 | 24.5 |
| VDF80 | 50.5 | 8.6 | 21.2 | 29.3 | 7.2 | 18.5 | 27 |
| VDF100 | 94 | 12.6 | 30.8 | 41.7 | 12.3 | 28.2 | 39.6 |

Dimensional information

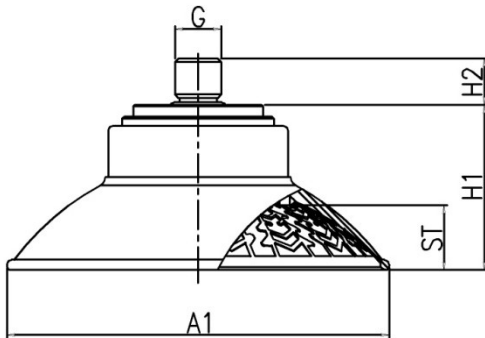


| Model | A1 | ST | H1 | H2 | G |
|--------------|------|-----|----|----|----------|
| VDF40...18M | 42.5 | 6.9 | 24 | 10 | G1/8" |
| VDF40...M10M | | | | | M10XP1.5 |

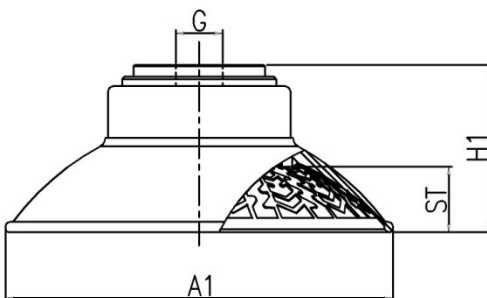


| Model | A1 | ST | H1 | G |
|--------------|------|-----|----|----------|
| VDF40...18F | 42.5 | 6.4 | 24 | G1/8" |
| VDF40...14F | | | | G1/4" |
| VDF40...38F | | | | G3/8" |
| VDF40...N18F | | | | NPSF1/8" |
| VDF40...N14F | | | | NPSF1/4" |
| VDF40...N38F | | | | NPSF3/8" |

Dimensional information

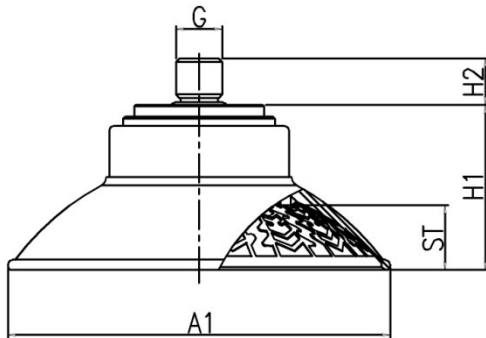


| Model | A1 | ST | H1 | H2 | G |
|--------------|------|------|----|----|----------|
| VDF50...18M | 53 | 8.4 | 31 | 10 | G1/8" |
| VDF50...14M | | | | | G1/4" |
| VDF50...38M | | | | | G3/8" |
| VDF50...M10M | | | | | M10XP1.5 |
| VDF60...18M | 63.5 | 10.9 | 34 | 10 | G1/8" |
| VDF60...14M | | | | | G1/4" |
| VDF60...38M | | | | | G3/8" |
| VDF60...M10M | | | | | M10XP1.5 |

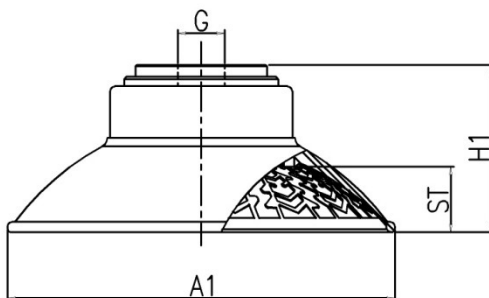


| Model | A1 | ST | H1 | G |
|--------------|------|------|----|-----------|
| VDF50...18F | 53 | 8.4 | 41 | G1/8" |
| VDF50...14F | | | | G1/4" |
| VDF50...38F | | | | G3/8" |
| VDF50...N18F | | | | NPSF 1/8" |
| VDF50...N14F | 63.5 | 10.9 | 44 | NPSF 1/4" |
| VDF50...N38F | | | | NPSF 3/8" |
| VDF60...18F | | | | G1/8" |
| VDF60...14F | | | | G1/4" |
| VDF60...38F | 63.5 | 10.9 | 44 | G3/8" |
| VDF60...N18F | | | | NPSF 1/8" |
| VDF60...N14F | | | | NPSF 1/4" |
| VDF60...N38F | | | | NPSF 3/8" |

Dimensional information



| Model | A1 | ST | H1 | H2 | G |
|--------------|-------|------|------|----|----------|
| VDF80...18M | 83.5 | 13.9 | 37.6 | 10 | G1/8" |
| VDF80...14M | | | | | G1/4" |
| VDF80...38M | | | | | G3/8" |
| VDF80...M10M | | | | | M10XP1.5 |
| VDF100...18M | 104.2 | 17.3 | 40.3 | 10 | G1/8" |
| VDF100...14M | | | | | G1/4" |
| VDF100...38M | | | | | G3/8" |
| VDF100...M10 | | | | | M10XP1.5 |



| Model | A1 | ST | H1 | G |
|---------------|-------|------|------|-----------|
| VDF80...18F | 83.5 | 13.9 | 43 | G1/8" |
| VDF80...14F | | | | G1/4" |
| VDF80...38F | | | | G3/8" |
| VDF80...12F | | | | G1/2" |
| VDF80...N18F | 104.2 | 17.3 | 48.3 | NPSF 1/8" |
| VDF80...N14F | | | | NPSF 1/4" |
| VDF80...N38F | | | | NPSF 3/8" |
| VDF100...18F | | | | G1/8" |
| VDF100...14F | 104.2 | 17.3 | 48.3 | G1/4" |
| VDF100...38F | | | | G3/8" |
| VDF100...12F | | | | G1/2" |
| VDF100...N18F | | | | NPSF 1/8" |
| VDF100...N14F | 104.2 | 17.3 | 48.3 | NPSF 1/4" |
| VDF100...N38F | | | | NPSF 3/8" |