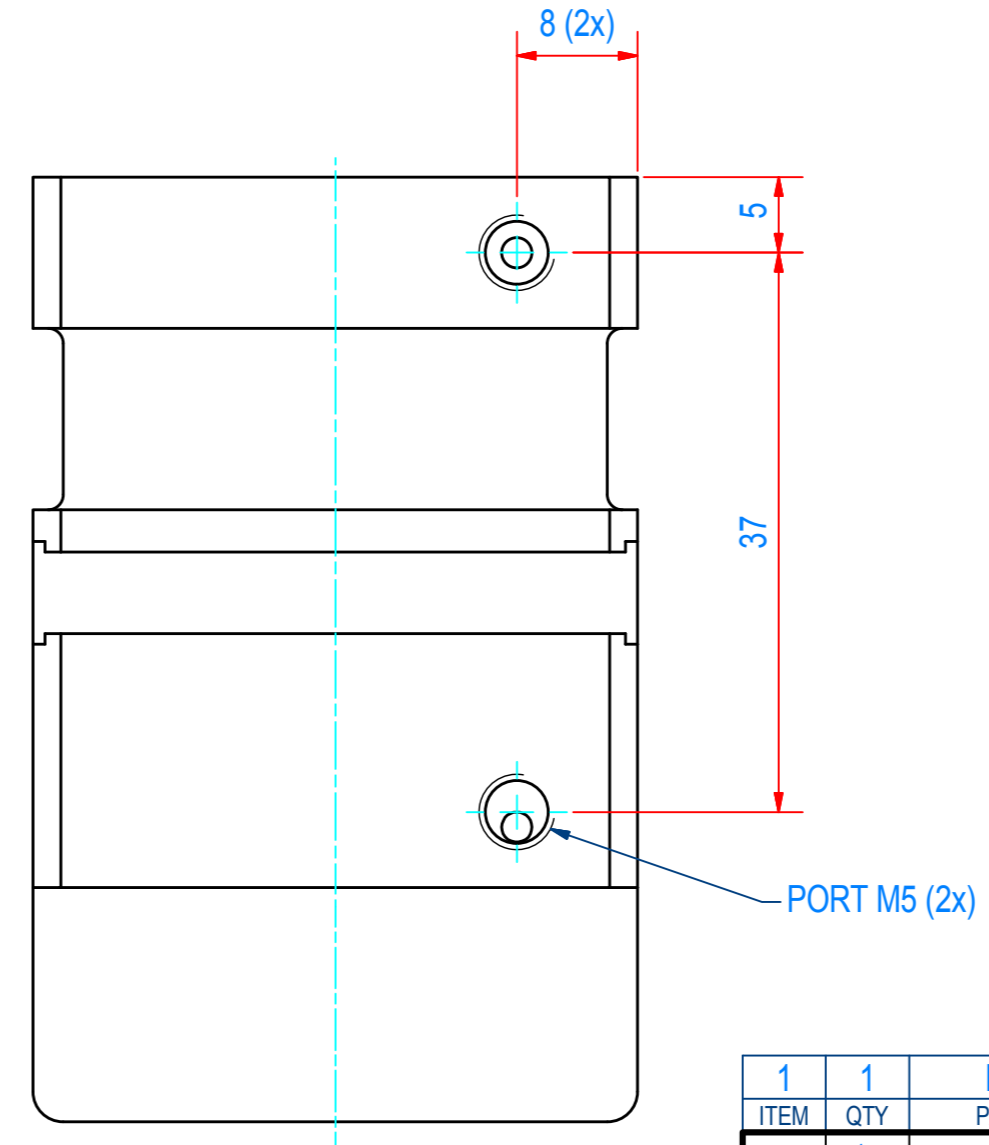
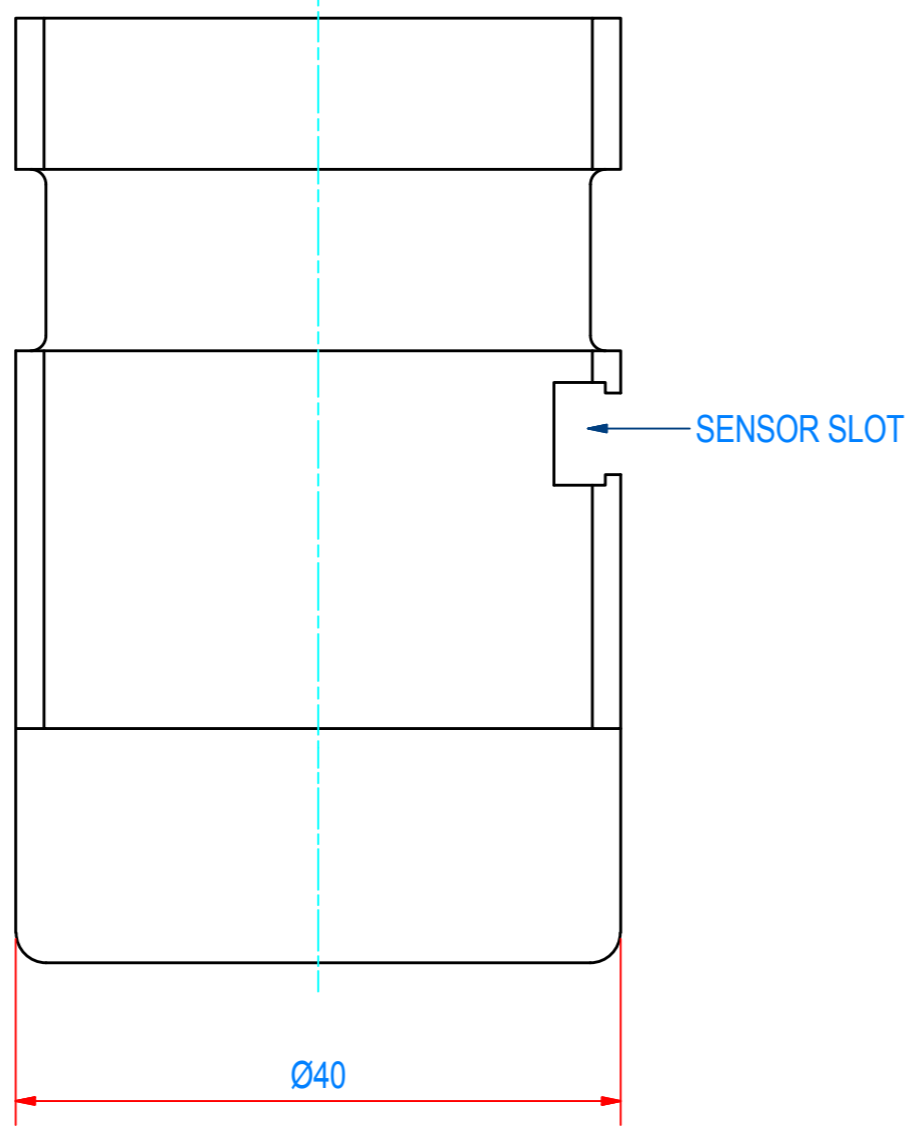
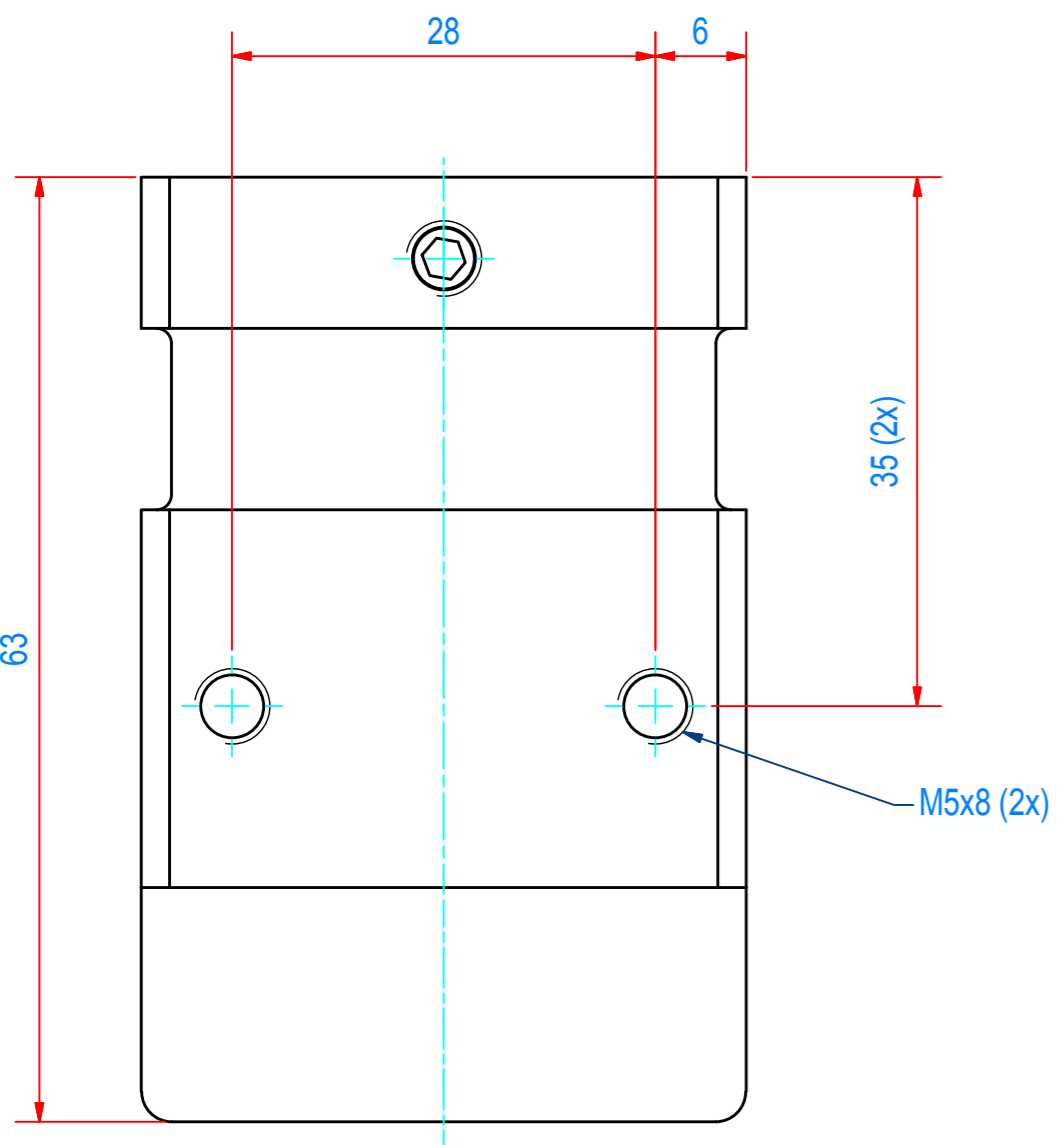
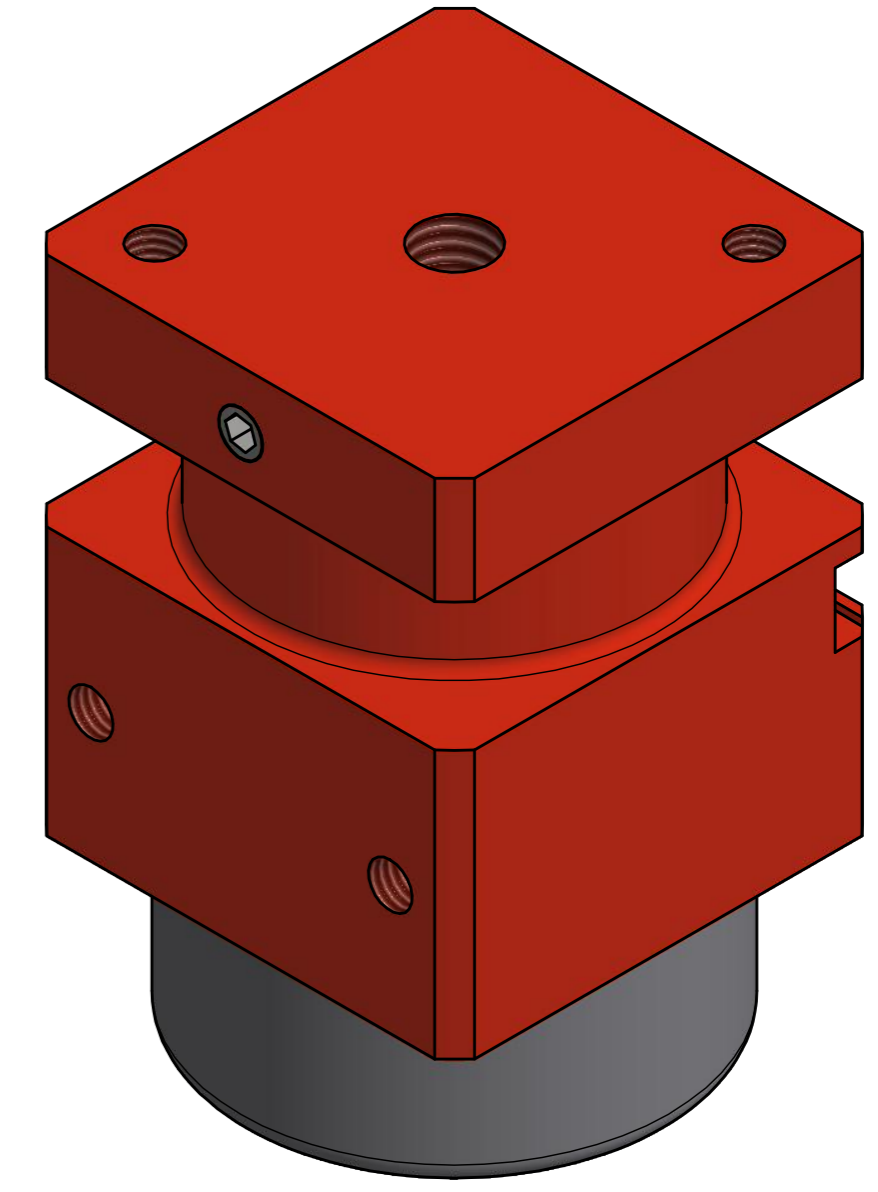
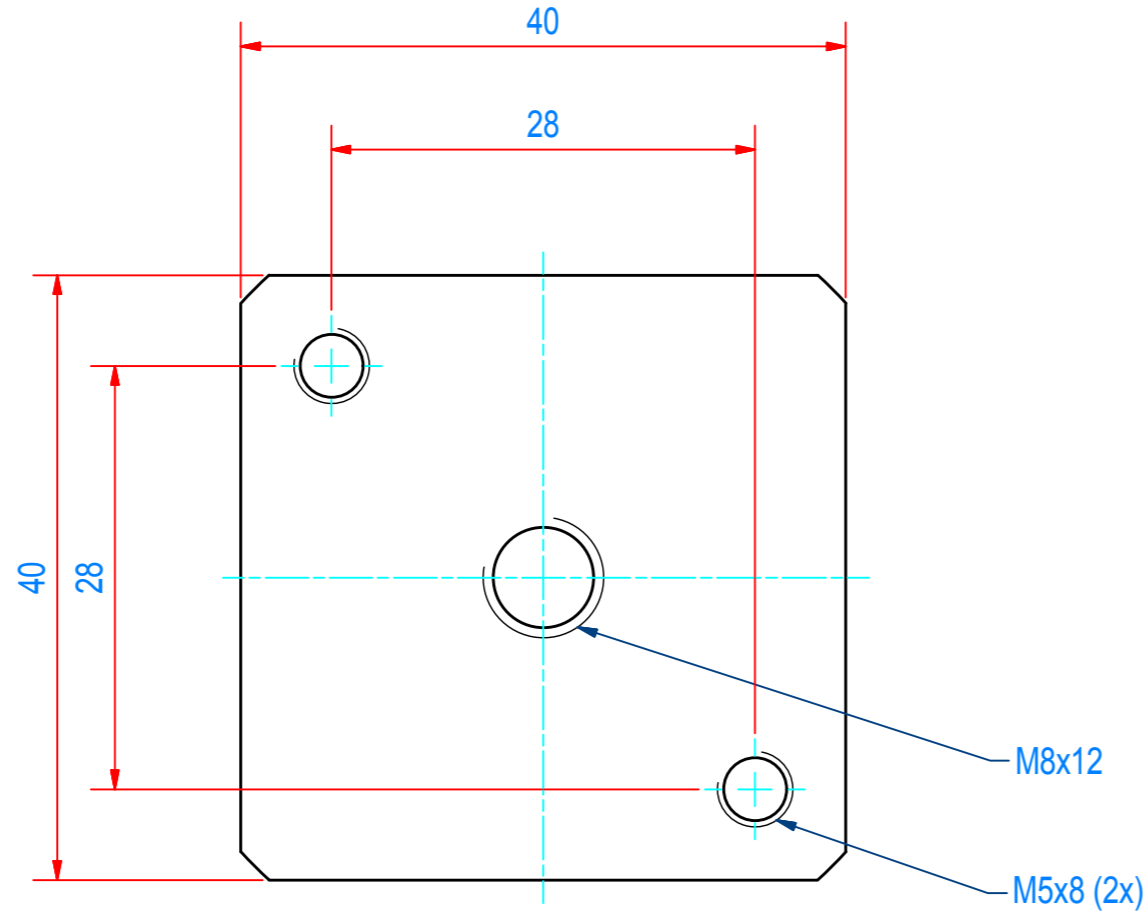


REV	DATE	BY	DESCRIPTION
-	6-5-2013	PB	NEW VAULT, NOTHING CHANGED, IS EQUAL TO OLD REVISION E
E	30-9-2013	RM	REVISION CHANGED CORRESP. MODEL IN VAULT-NOTHING CHANGED
F	2-1-2014	BS	SCREW CAP DESIGN CHANGED, NEW NUMBER (WITH O-RING) IS E0011501



1	1	E0011611	ASSY TPGC040078	Dimensions	
ITEM	QTY	PART NUMBER	DESCRIPTION	LENGTH (mm)	WIDTH (mm)
RAW MAT.	1				
Sheet: A2		Extra info:		General tolerance: ISO 2768 mK	
Drawn: PB		Weight (kg): 0,2		Drawn according: ISO268; ISO1101; ISO2553	
Date: 6-5-2013				Status: Standard	
Spare part: False				Customer reference number:	
Quick search: TPGC040		© All rights reserved. Reproduction is not permitted without written permission of GOUDSMIT Magnetic Systems BV		File number: TPGC040078	Rev: F
Description: HGR-SQ-040-FL-R-M-S		Part number: TPGC040078		Rev: F	