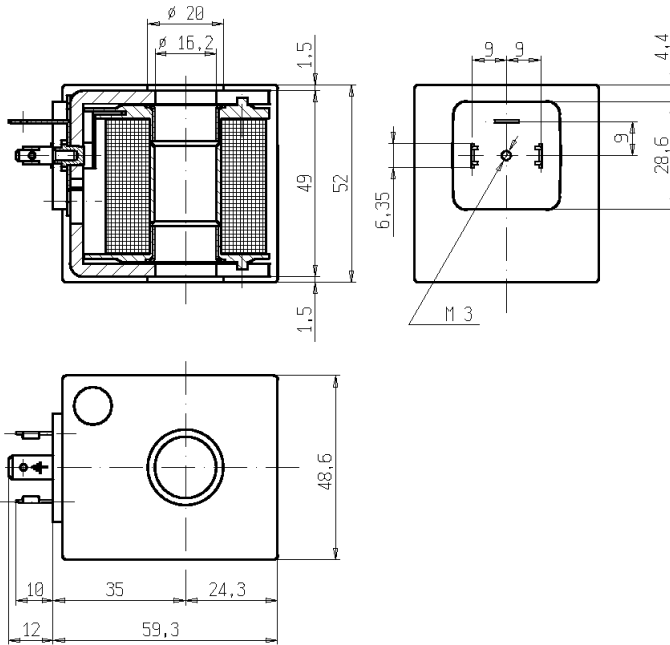




COIL

Spade terminals (DIN46340)

Z923



► GENERAL FEATURES

Complying with 73/23/EC directive and relative modification 93/68/EC.
Complying with VDE 0580 standard (100% inspected).

► ELECTRIC CONNECTIONS

Spade terminals 6,3 x 0,8 (DIN46340), 2 line + 1 earth terminals.
3 poles plug connector (EN175301-803)

► ENCAPSULATION MATERIALS

PPS (Polyphenilsulfure) fiberglass reinforced

► TECHNICAL FEATURES

Duty

Insulation class

Ambient temperature

Protection degree

Voltages DC

AC

Z923A - Z923E: ED 100%

Z923G: ED 60%

H (165°C)

-10°C +80°C

IP 65 (EN 60529) with plug connector

12-24V (+10% -5%)

24V/50Hz - 110V/50Hz (120V/60Hz) -

230V/50Hz (+10% -15%)

(Other voltages and frequencies on request).

TYPE	POWER ABSORPTION			NOTES	WEIGHT (kg)
	AC (VA)		DC (W)		
	Inrush	Holding			
Z923A	50	27	17	-	0,520
Z923E	65	33	21	-	
Z923G	150	46	-	1	

► NOTES

1- Discontinuous duty ED 60%.

THE VALIDITY OF REPORTED DATA IS REFERRED TO THE DATE OF ISSUE. POSSIBLE UPDATES ARE AVAILABLE ON REQUEST.

040671404