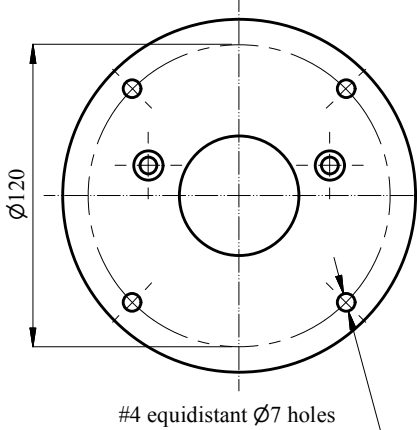


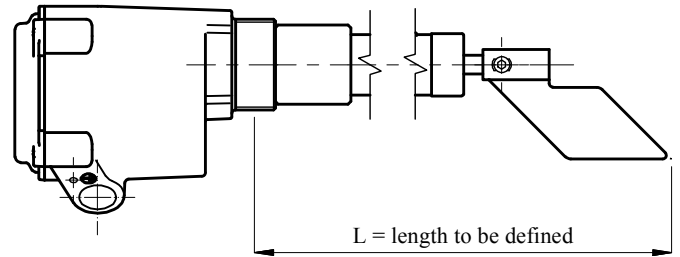
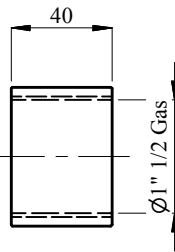
FLANGE Ø140

SLEEVE Ø55

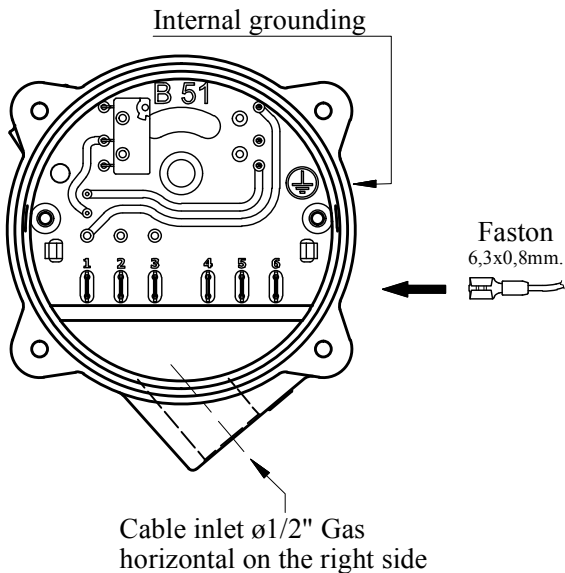
VERSION WITH EXTENSION



#4 equidistant Ø7 holes



IP65 Protection



WIRING

- 1 - Common power supply
- 2 - Power supply 110 VAC 50/60 Hz
- 3 - Power supply 220 VAC 50/60 Hz
- 4 - NC contact 5A/250 VAC
- 5 - Common contact
- 6 - NO contact 5A/250 VAC

Electric motor draw 4 W

Ambient temperature range -20 to +70 °C

Weight: 1,200 Kg

On request power supply at 24/48 VAC 50/60 Hz and also 24 VDC

Maximum operational pressure: 1,1 bar

Declaration of Conformity: TÜV IT 13 ATEX 072
 Marking: II 1/2 D Ex ta/tb III C T85°C IP65 Da/Db
 II 2 G Ex db IIB T6 Gb